

KV-27TS29 / 27TS32 / 27TS36

RM-Y116

RM-Y117

RM-Y118

KV-32TS36 / 32TS46

RM-Y118

RM-Y118

SA-W200

SERVICE MANUAL

US Model

KV-27TS29 Chassis No. SCC-F84C-A

KV-27TS32 Chassis No. SCC-F84E-A

KV-27TS36 Chassis No. SCC-F84D-A

KV-32TS36 Chassis No. SCC-F84A-A

KV-32TS46 Chassis No. SCC-F84B-A

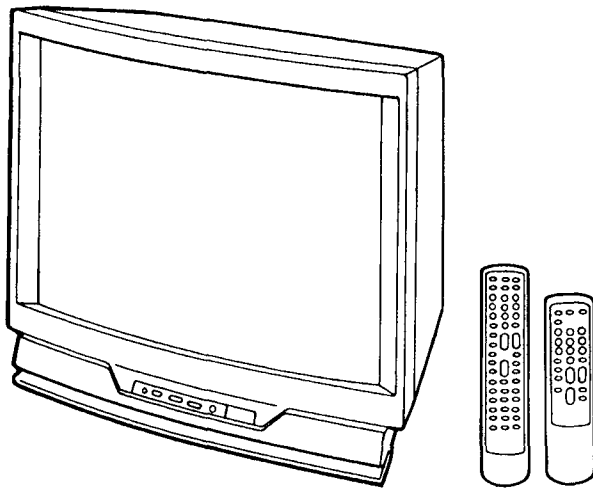
Canadian Model

KV-27TS29 Chassis No. SCC-F85C-A

KV-27TS36 Chassis No. SCC-F85D-A

KV-32TS36 Chassis No. SCC-F85A-A

KV-32TS46 Chassis No. SCC-F85B-A



AA-1 CHASSIS

MODELS OF THE SAME SERIES

KV-27TS29/27TS32/27TS36

KV-32TS36/32TS46

KV-2970RS/2970M/2975M

SPECIFICATIONS

Television system American TV standards

Channel coverage VHF 2-13
UHF 14-69
Cable TV 1-125

Picture tube Hi-Black™ Trinitron® tube
27-inch picture measured diagonally
29-inch picture tube measured diagonally (KV-27TS29/27TS32/27TS36)

*32-inch picture measured diagonally
34-inch picture tube measured diagonally (KV-32TS36/32TS46)

Antenna 75-ohm external antenna terminal for VHF/UHF

Input

VIDEO and S VIDEO

S VIDEO IN (S terminal)

Y 1 Vp-p, 75-ohms unbalanced, sync negative

C 0.286 Vp-p (Burst signal), 75-ohms

Video (phono jacks) 1 Vp-p, 75-ohms unbalanced, sync negative

Audio (phono jacks): 500 mVrms (100% modulation)
Impedance: 47 kilohms

— Continued on next page —



996493301

TRINITRON® COLOR TV SONY®

KV-27TS29/27TS32/27TS36

RM-Y116 RM-Y117 RM-Y118

KV-32TS36/32TS46RM-Y118 RM-Y118
SA-W200

Output AUDIO OUT (phono jacks)
More than 408 mVrms at the maximum volume setting (variable)
More than 408 mVrms (fix)
Impedances: 5 kilohms

Speaker output 5 W × 2

Audio frequency response : FRONT 80Hz - 20kHz

Power requirements 120 V AC, 60 Hz

Power consumption

KV-27TS29	165 W
KV-27TS32	165 W
KV-27TS36	170 W
KV-32TS36	195 W
KV-32TS46	205 W

standby mode 5 W

Dimensions/Weight

	Dimensions (w/h/d)	Weight
KV-27TS29	661 × 603 × 522 mm (26 ¹ / ₈ × 23 ³ / ₄ × 20 ⁵ / ₈ in)	45 kg (99 lbs 4 oz)
KV-27TS32	661 × 603 × 522 mm (26 ¹ / ₈ × 23 ³ / ₄ × 20 ⁵ / ₈ in)	45 kg (99 lbs 4 oz)
KV-27TS36	661 × 603 × 522 mm (26 ¹ / ₈ × 23 ³ / ₄ × 20 ⁵ / ₈ in)	45 kg (99 lbs 4 oz)
KV-32TS36	781 × 712 × 612 mm (30 ³ / ₄ × 28 ¹ / ₈ × 24 ¹ / ₈ in)	71 kg (156 lbs 9 oz)
KV-32TS46	781 × 712 × 612 mm (30 ³ / ₄ × 28 ¹ / ₈ × 24 ¹ / ₈ in)	71 kg (156 lbs 9 oz)

Supplied accessories

(KV-27TS29)
Remote Commander RM-Y116(1) with 2 size AA (R6) EVEREADY batteries
(KV-27TS32)
Remote Commander RM-Y117(1) with 1 size AA (R6) EVEREADY battery
(KV-27TS36/32TS36/32TS46)
Remote Commander RM-Y118(1) with 1 size AA (R6) EVEREADY battery
(KV-32TS46)
Active Super Woofer

Recommended accessories

U/V mixer EAC-66
Connecting cable
VMC-810S/820S, VMC-720M,
YC-15V/30V, RK-74A

Design and specifications are subject to change without notice.

WARNING!!

AN ISOLATION TRANSFORMER SHOULD BE USED DURING ANY SERVICE TO AVOID POSSIBLE SHOCK HAZARD, BECAUSE OF LIVE CHASSIS.
THE CHASSIS OF THIS RECEIVER IS DIRECTLY CONNECTED TO THE AC POWER LINE.

SAFETY-RELATED COMPONENT WARNING !!

COMPONENTS IDENTIFIED BY SHADING AND MARK Δ ON THE SCHEMATIC DIAGRAMS, EXPLODED VIEWS AND IN THE PARTS LIST ARE CRITICAL TO SAFE OPERATION. REPLACE THESE COMPONENTS WITH SONY PARTS WHOSE PART NUMBERS APPEAR AS SHOWN IN THIS MANUAL OR IN SUPPLEMENTS PUBLISHED BY SONY. CIRCUIT ADJUSTMENTS THAT ARE CRITICAL TO SAFE OPERATION ARE IDENTIFIED IN THIS MANUAL. FOLLOW THESE PROCEDURES WHENEVER CRITICAL COMPONENTS ARE REPLACED OR IMPROPER OPERATION IS SUSPECTED.

ATTENTION!!

AFIN D'EVITER TOUT RISQUE D'ELECTROCUTION PROVENANT D'UN CHÂSSIS SOUS TENSION, UN TRANSFORMATEUR D'ISOLEMENT DOIT ETRE UTILISÉ LORS DE TOUT DÉPANNAGE. LE CHÂSSIS DE CE RÉCEPTEUR EST DIRECTEMENT RACCORDÉ À L'ALIMENTATION SECTEUR.

ATTENTION AUX COMPOSANTS RELATIFS À LA SÉCURITÉ!!

LES COMPOSANTS IDENTIFIÉS PAR UNE TRAME ET PAR UNE MAPQUE Δ SUR LES SCHÉMAS DE PRINCIPE, LES VUES EXPLOSÉES ET LES LISTES DE PIÈCES CONT D'UNE IMPORTANCE CRITIQUE POUR LA SÉCURITÉ DU FONCTIONNEMENT. NE LES REMPLACER QUE PAR DES COMPOSANTS SONY DONT LE NUMÉRO DE PIÈCE EST INDIQUÉ DANS LE PRÉSENT MANUEL OU DANS DES SUPPLÉMENTS PUBLIÉS PAR SONY. LES RÉGLAGES DE CIRCUIT DONT L'IMPORTANCE EST CRITIQUE POUR LA SÉCURITÉ DU FONCTIONNEMENT SONT IDENTIFIÉS DANS LE PRÉSENT MANUEL. SUIVRE CES PROCÉDURES LORS DE CHAQUE REMPLACEMENT DE COMPOSANTS CRITIQUES, OU LORSQU'UN MAUVAIS FONCTIONNEMENT EST SUSPECTÉ.

SAFETY CHECK-OUT

(US Model only)

After correcting the original service problem, perform the following safety checks before releasing the set to the customer:

1. Check the area of your repair for unsoldered or poorly-soldered connections. Check the entire board surface for solder splashes and bridges.
2. Check the interboard wiring to ensure that no wires are "pinched" or contact high-wattage resistors.
3. Check that all control knobs, shields, covers, ground straps, and mounting hardware have been replaced. Be absolutely certain that you have replaced all the insulators.
4. Look for unauthorized replacement parts, particularly transistors, that were installed during a previous repair. Point them out to the customer and recommend their replacement.
5. Look for parts which, though functioning, show obvious signs of deterioration. Point them out to the customer and recommend their replacement.
6. Check the line cord for cracks and abrasion. Recommend the replacement of any such line cord to the customer.
7. Check the condition of the monopole antenna (if any).
 Make sure the end is not broken off, and has the plastic cap on it. Point out the danger of impalement on a broken antenna to the customer, and recommend the antenna's replacement.
8. Check the B+ and HV to see they are at the values specified. Make sure your instruments are accurate; be suspicious of your HV meter if sets always have low HV.
9. Check the antenna terminals, metal trim, "metallized" knobs, screws, and all other exposed metal parts for AC leakage. Check leakage as described below.

LEAKAGE TEST

The AC leakage from any exposed metal part to earth ground and from all exposed metal parts to any exposed metal part having a return to chassis, must not exceed 0.5 mA (500 microamperes). Leakage current can be measured by any one of three methods.

1. A commercial leakage tester, such as the Simpson 229 or RCA WT-540A. Follow the manufacturers' instructions to use these instruments.
2. A battery-operated AC milliammeter. The Data Precision 245 digital multimeter is suitable for this job.
3. Measuring the voltage drop across a resistor by means of a VOM or battery-operated AC voltmeter. The "limit" indication is 0.75 V, so analog meters must have an accurate low-voltage scale. The Simpson 250 and Sanwa SH-63Trd are examples of a passive VOM that is suitable. Nearly all battery operated digital multimeters that have a 2V AC range are suitable. (See Fig. A)

HOW TO FIND A GOOD EARTH GROUND

A cold-water pipe is guaranteed earth ground; the cover-plate retaining screw on most AC outlet boxes is also at earth ground. If the retaining screw is to be used as your earth-ground, verify that it is at ground by measuring the resistance between it and a cold-water pipe with an ohmmeter. The reading should be zero ohms. If a cold-water pipe is not accessible, connect a 60-100 watts trouble light (not a neon lamp) between the hot side of the receptacle and the retaining screw. Try both slots, if necessary, to locate the hot side of the line, the lamp should light at normal brilliance if the screw is at ground potential. (See Fig. B)

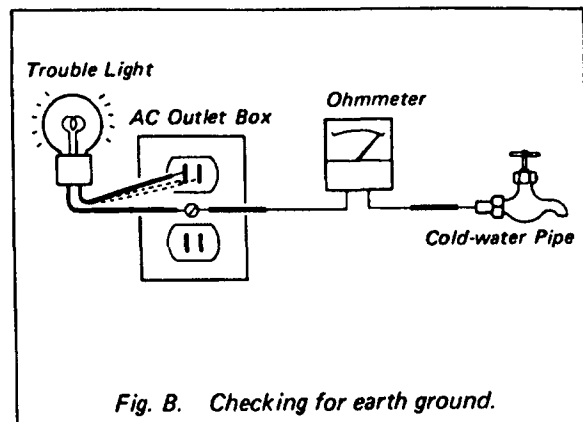
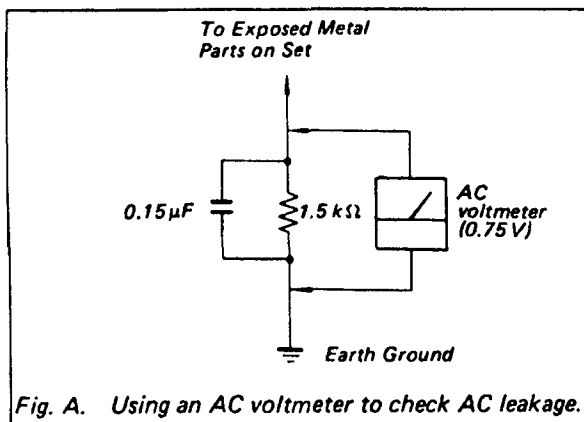


TABLE OF CONTENTS

<u>Section</u>	<u>Title</u>	<u>Page</u>	<u>Section</u>	<u>Title</u>	<u>Page</u>
1.	GENERAL		4.	SAFETY RELATED ADJUSTMENTS	41
1-1.	Introducing the Sony TRINITRON® Color TV	5	5.	CIRCUIT ADJUSTMENTS	
1-2.	Locating the Controls	5	5-1.	Electrical Adjustment by Remote Commander	43
1-3.	Using the ON-SCREEN Menus	8	5-2.	M Board Adjustments	45
1-4.	Turning the Cable Mode ON or OFF	9	5-3.	P Board Adjustments	48
1-5.	Presetting TV Channels	10	6.	DIAGRAMS	
1-6.	Connecting Other Equipment	12	6-1.	Block Diagrams (1)	49
1-7.	Watching TV Programs	14		Block Diagrams (2)	51
1-8.	Using Convenient Features	15	6-2.	Frame Schematic Diagram	57
1-9.	Using Closed Caption (U.S.A models only)	15	6-3.	Circuit Boards Location	61
1-10.	Watching two Pictures at Once (Picture-in-Picture)	16	6-4.	Printed Wiring Boards and Schematic Diagrams	61
1-11.	Using the Timer-Activated Functions	19		• A, C Boards	62
1-12.	Customizing the Screen Display	22		• UA Board	67
1-13.	Using the Pre-Programmed Remote Commander	24		• P Board	73
2.	DISASSEMBLY			• E Board	77
2-1.	Rear Cover Removal	26		• H Board	80
2-2.	Chassis Assy Removal	26		• M Board	81
2-3.	Service Position	26		• D Board	87
2-4.	P Board and P Bracket Removal	26		• Super woofer Board	94
2-5.	UA Board Removal	27	6-4.	Semiconductors	99
2-6.	Extension Cable	27	7.	EXPLODED VIEW	
2-7.	Picture Tube Removal (1) (KV-27TS36/27TS32/27TS29)	28	7-1.	Chassis	101
2-7.	Picture Tube Removal (2) (KV-32TS46/32TS36)	28	7-2.	Picture Tube	102
2-8.	Repair of Chip Component Circuit Board	30	7-3.	Speaker (KV-32TS46 only)	103
3.	SET-UP ADJUSTMENTS		8.	ELECTRICAL PARTS LIST	104
3-1.	Beam Landing	35			
3-2.	Convergence	36			
3-3.	Focus Adjustment	39			
3-4.	G2 (Screen) and White Balance Adjustment	40			

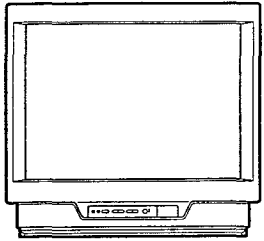
SECTION 1 GENERAL

This section is extracted from instruction manual.

1-1. INTRODUCING THE SONY TRINITRON® COLOR TV

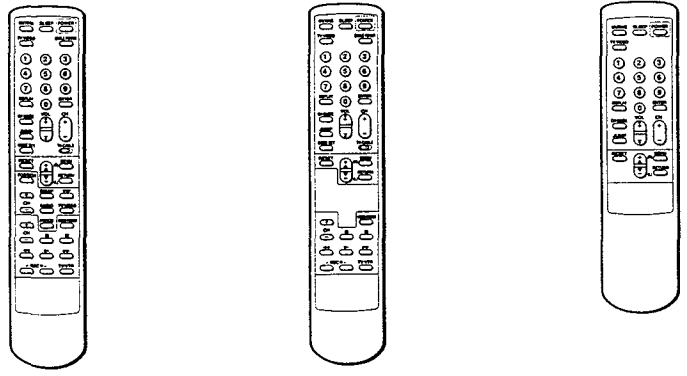
Design

KV-27TS29 KV-32TS36
KV-27TS32 KV-32TS46
KV-27TS36



Supplied Remote Commander

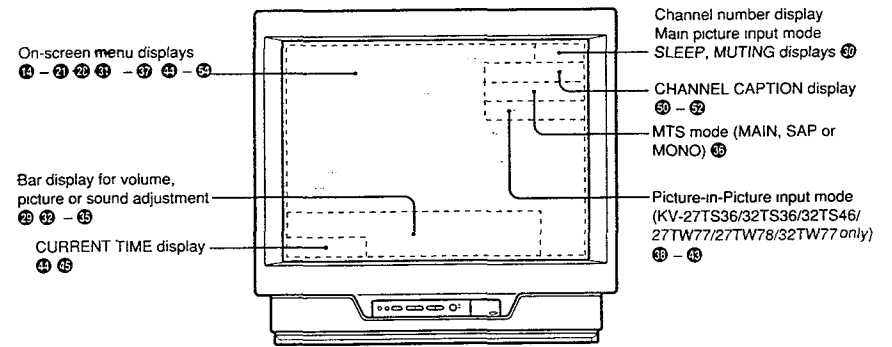
RM-Y118 RM-Y117 RM-Y116



1-2. LOCATING THE CONTROLS

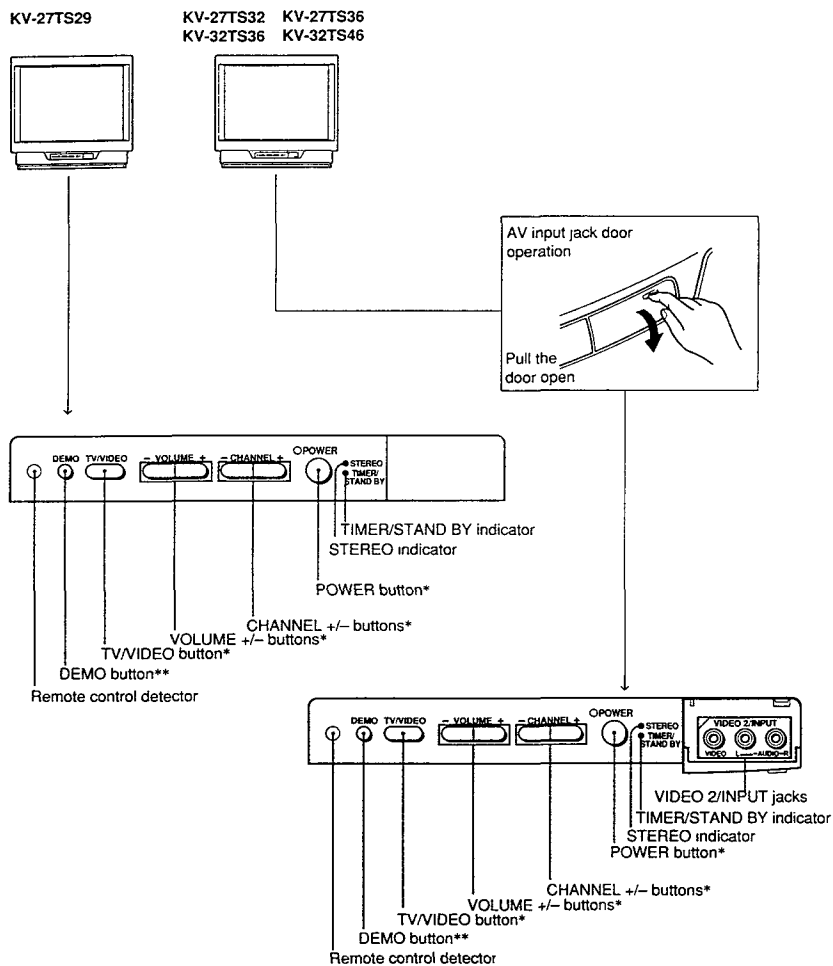
Screen Displays

For details, see the pages indicated by the numbered black circles ●.



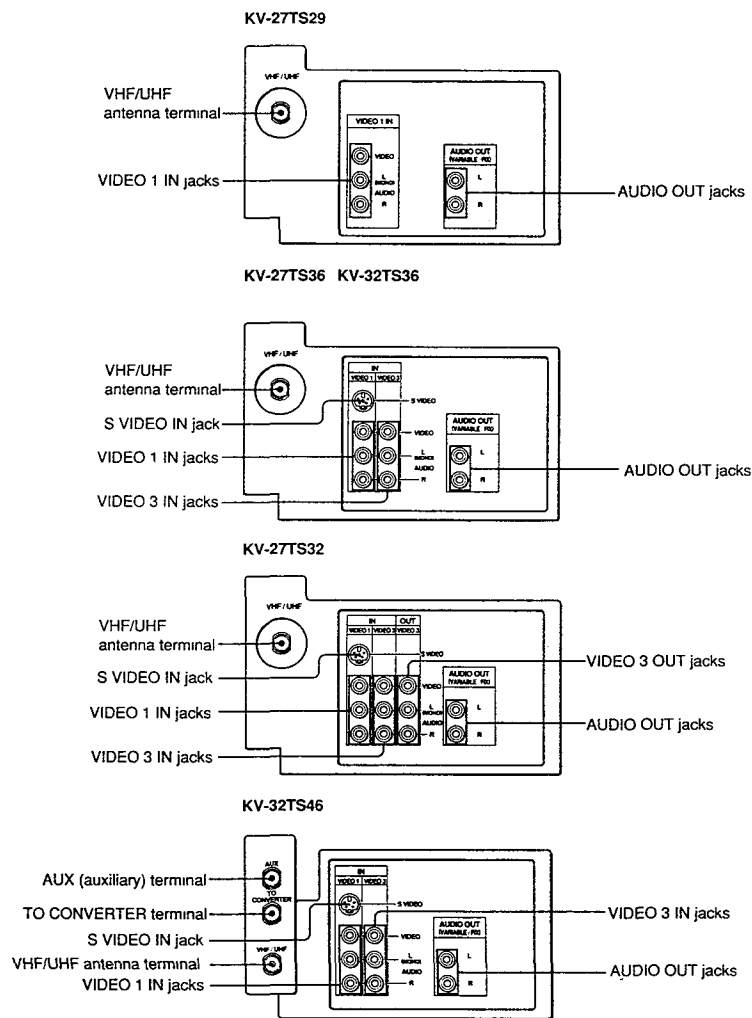
KV-32TS36
(The screen displays, except for certain features as noted above, are the same for all models.)

Front Panel



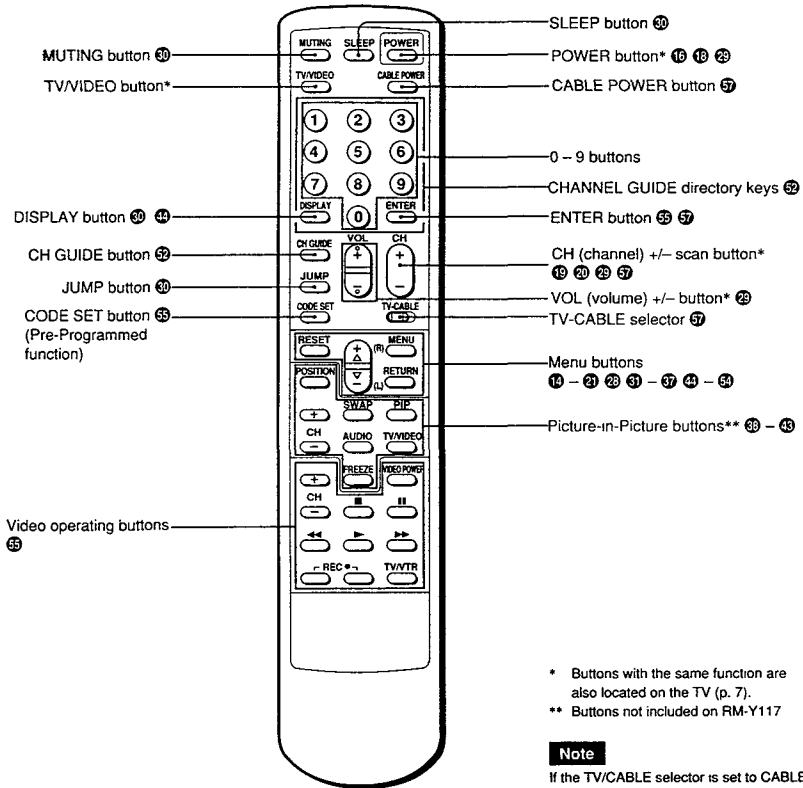
- * Buttons with the same function are also located on the Remote Commander (pp. 10 - 11).
- ** If you press this button, functions and menus are displayed one by one. Press any button to stop DEMO.

Rear Panel



Remote Commander

For details, see the pages indicated by the numbered black circles ●.

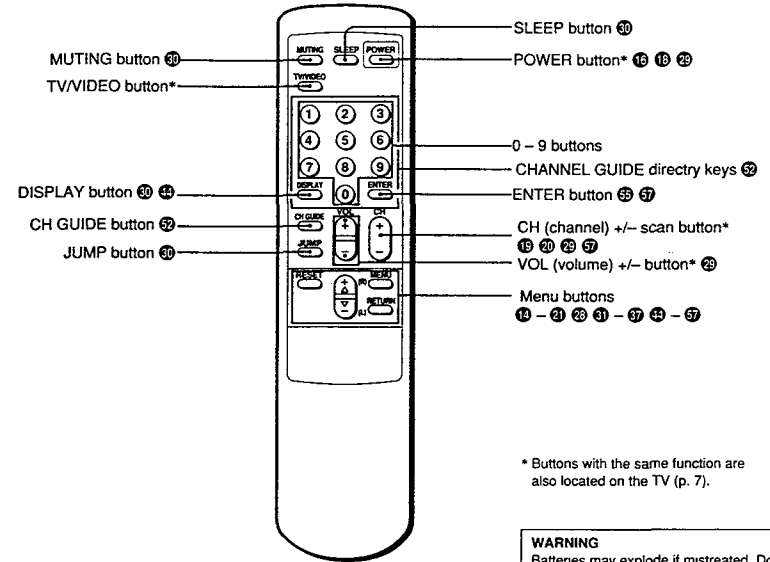


RM-Y118: KV-27TS36 KV-32TS36
KV-32TS46
(RM-Y117: KV-27TS32)

- * Buttons with the same function are also located on the TV (p. 7).
- ** Buttons not included on RM-Y117

Note

If the TV/CABLE selector is set to CABLE, the Remote Commander is able to control a connected cable box, not the TV. Set the selector to TV to control the TV set with the Remote Commander (You can use POWER button at any case).



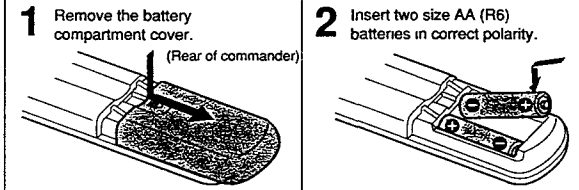
RM-Y116: KV-27TS29

* Buttons with the same function are also located on the TV (p. 7).

WARNING
Batteries may explode if mistreated. Do not recharge, disassemble, or dispose of in fire.

Installing Batteries

(RM-Y116)

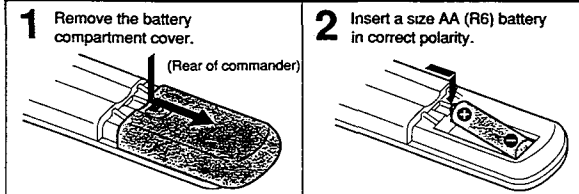


Battery life

With normal operation, batteries will last up to half a year. If the Remote Commander does not operate properly, the batteries might be exhausted. Replace both of them with new ones.

To avoid damage from possible battery leakage
Remove the batteries if you do not plan to use the Remote Commander for a fairly long time.

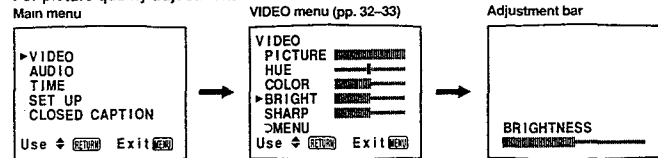
(RM-Y117, RM-Y118)



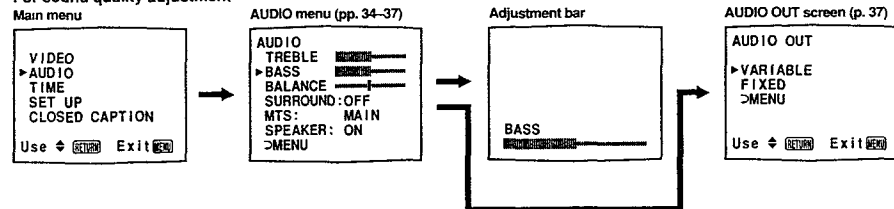
1-3. USING THE ON-SCREEN MENUS

The following flow chart shows the different levels of on-screen menus that you can use to make various adjustments and settings. See the indicated pages for instructions on using each feature.

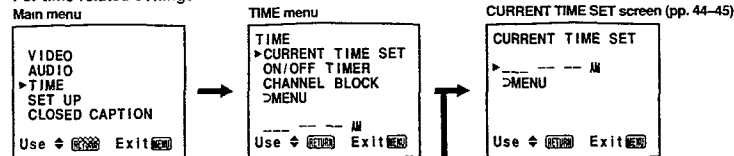
For picture quality adjustment



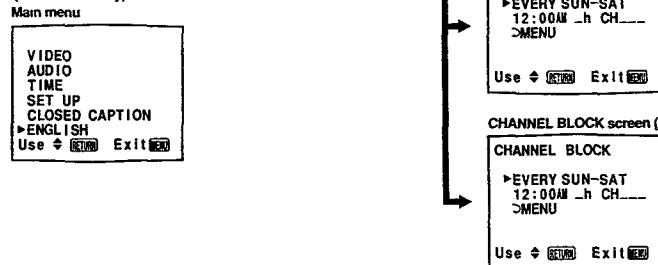
For sound quality adjustment



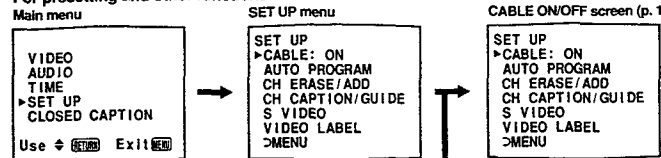
For time-related settings



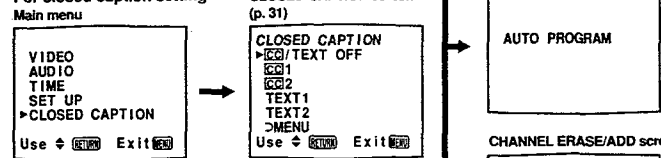
For language setting (p.16) (KV-27TS32 only)



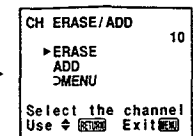
For presetting and other functions



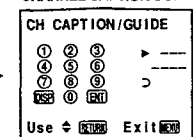
For closed caption setting



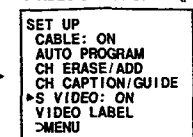
CHANNEL ERASE/ADD screen (pp. 19-21)



CHANNEL CAPTION/GUIDE screen (pp. 50-51)



S VIDEO ON/OFF screen (p. 28)

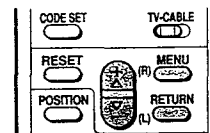


VIDEO LABEL screen (pp. 53-54)



Navigating through the Menus

Remote Commander



To display the main menu
Press MENU.

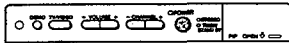
To return to the previous menu
Press Δ+ or ∇- to select "> MENU."
Then press RETURN.

To return to the main menu
Repeat the above, until you reach the main menu.

To return to the normal screen
Press MENU on the Remote Commander.

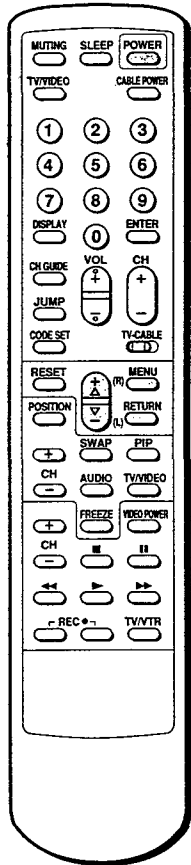
Note

The menus disappear automatically if you do not press a button within 90 seconds.
The menu you cannot select appears in black.



Changing the Menu Language (KV-27TS32/2970RS only)

The menu language is factory-set to ENGLISH. Follow these instructions to change the menu language to Spanish or back to English.



RM-Y118

To return to the normal screen
Press MENU.

- 1** Press POWER on the TV or the Remote Commander to turn the TV on.
- 2** Press MENU.
The main menu appears.

VIDEO
AUDIO
TIME
SET UP
CLOSED CAPTION
ENGLISH
Use \leftarrow \rightarrow Exit
- 3** Press $\Delta+$ or $\nabla-$ to select ENGLISH.
Then press RETURN.

VIDEO
AUDIO
TIME
SET UP
CLOSED CAPTION
ENGLISH
Use \leftarrow \rightarrow Exit
- 4** Press $\Delta+$ or $\nabla-$ to select language.
Each time you press $\Delta+$ or $\nabla-$,
ESPAÑOL and ENGLISH menus appear.

VIDEO
AUDIO
HORA
AJUSTES
CLOSED CAPTION
ESPAÑOL
Usar \leftarrow \rightarrow Salir

VIDEO
AUDIO
TIME
SET UP
CLOSED CAPTION
ENGLISH
Use \leftarrow \rightarrow Exit

Note
Certain parts of the ESPAÑOL menus remain in English.
- 5** Press RETURN.
The language is selected.

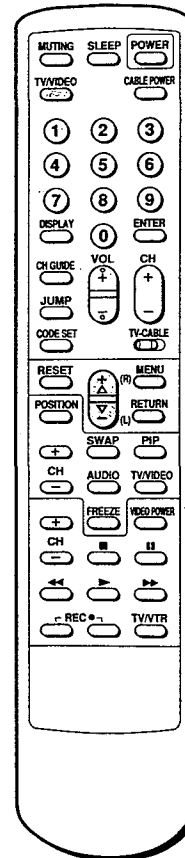
VIDEO
AUDIO
HORA
AJUSTES
CLOSED CAPTION
ESPAÑOL
Usar \leftarrow \rightarrow Salir

Spanish menu

1-4. TURNING THE CABLE MODE ON OR OFF

All of the controls are on the Remote Commander.

If you have cable connected to your TV (pp.12-13), follow the steps below to turn the cable connection on or off. CABLE is preset to ON when you use your TV for the first time. Then turn CABLE to OFF to preset or watch VHF or UHF channels (pp.18-21 and 29).



RM-Y118

To return to the normal screen
Press MENU.

- 1** Press MENU.
The main menu appears.

VIDEO
AUDIO
TIME
SET UP
CLOSED CAPTION
Use \leftarrow \rightarrow Exit
- 2** Press $\Delta+$ or $\nabla-$ to select SET UP.

VIDEO
AUDIO
TIME
SET UP
CLOSED CAPTION
Use \leftarrow \rightarrow Exit

Press RETURN.
The SET UP menu appears, and the cursor points to "CABLE".

SET UP
CABLE: ON
AUTO PROGRAM
CH ERASE/ADD
CH CAPTION/GUIDE
S VIDEO
VIDEO LABEL
>MENU

Note
If the CABLE display appears in black, the TV is in VIDEO mode and you cannot select CABLE. Press TV/VIDEO to change to TV mode.
- 3** Press RETURN again.

SET UP
CABLE: ON
AUTO PROGRAM
CH ERASE/ADD
CH CAPTION/GUIDE
S VIDEO
VIDEO LABEL
>MENU

Press $\Delta+$ or $\nabla-$ to select ON or OFF alternately.

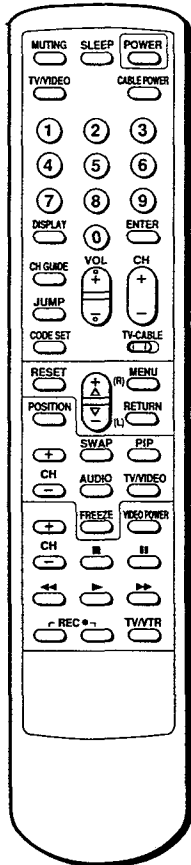
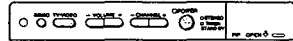
SET UP
CABLE: ON
AUTO PROGRAM
CH ERASE/ADD
CH CAPTION/GUIDE
S VIDEO
VIDEO LABEL
>MENU

↔

SET UP
CABLE: OFF
AUTO PROGRAM
CH ERASE/ADD
CH CAPTION/GUIDE
S VIDEO
VIDEO LABEL
>MENU

Press RETURN.
The setting is completed.

1-5. PRESETTING TV CHANNELS



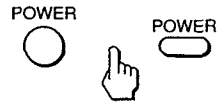
RM-Y118

Channels that can be received on this TV:

VHF	UHF	Cable
2-13	14-69	1-125

Presetting TV Channels Automatically

1 Press POWER on the TV or the Remote Commander to turn the TV on.



2 Set the cable connection on or off, depending on if you want to preset cable or VHF/UHF channels.
(Follow the steps in "Turning the Cable Mode On or Off", p.17)

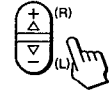
If "VIDEO" is displayed on the screen, press the TV/VIDEO button on the TV or the Remote Commander so that a channel number appears.

3 Press MENU.
The main menu appears.



▶VIDEO
AUDIO
TIME
SET UP
CLOSED CAPTION
Use Δ RETURN Exit

4 Press Δ or ∇ to select SET UP.
Then press RETURN.
The SET UP menu appears.



SET UP
▶CABLE: ON
AUTO PROGRAM
CH ERASE/ADD
CH CAPTION/GUIDE
S VIDEO LABEL
>MENU

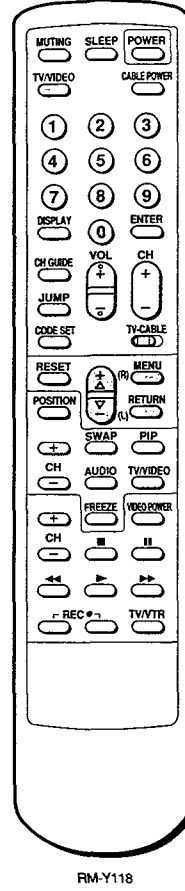
5 Press Δ or ∇ to select AUTO PROGRAM.
Then press RETURN.



SET UP
CABLE: ON
▶AUTO PROGRAM
CH ERASE/ADD
CH CAPTION/GUIDE
S VIDEO LABEL
>MENU

"AUTO PROGRAM" appears on the screen and receivable channels (other than the channels already preset) are preset in numerical sequence. The channels previously preset will not remain in the TV's memory.
When no more channels can be found, the programming stops and the lowest numbered channel is displayed.

To erase unnecessary channels, or to add channels that could not be preset automatically because their signal was too weak, follow the steps in "Erasing Unnecessary Channels — CHANNEL ERASE" (pp.19–20) and "Presetting Only Desired Channels — CHANNEL ADD" (p. 21).



RM-Y118

Erasing Unnecessary Channels—CHANNEL ERASE

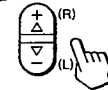
Use this feature to erase unnecessary TV channels, so that when you press CH +/-, the channel(s) are skipped.

1 Press MENU.
The main menu appears.



▶VIDEO
AUDIO
TIME
SET UP
CLOSED CAPTION
Use Δ RETURN Exit

2 Press Δ or ∇ to select SET UP



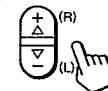
VIDEO
AUDIO
TIME
▶SET UP
CLOSED CAPTION
Use Δ RETURN Exit

Press RETURN.
The SET UP menu appears.



SET UP
▶CABLE: ON
AUTO PROGRAM
CH ERASE/ADD
CH CAPTION/GUIDE
S VIDEO LABEL
>MENU

3 Press Δ or ∇ to select CH ERASE/ADD.



SET UP
CABLE: ON
▶AUTO PROGRAM
CH ERASE/ADD
CH CAPTION/GUIDE
S VIDEO LABEL
>MENU

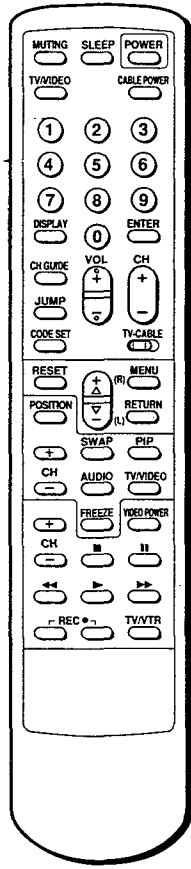
Press RETURN.
The CH ERASE/ADD screen appears, and the cursor points to "ERASE".



CH ERASE/ADD 10
▶ERASE
ADD
>MENU
Select the channel
Use Δ RETURN Exit

Note

If CH ERASE/ADD display appears in black, the TV is in video mode and you cannot select CH ERASE/ADD.
Press TV/VIDEO to change to TV mode.



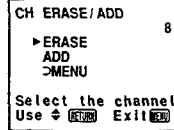
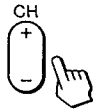
RM-Y118

To return to the normal screen
Press MENU.

Note

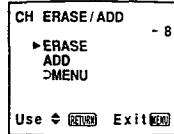
When you erase a VHF or UHF channel, the cable TV channel with the same number is also erased, and vice versa.

4 Press the CH +/- button to select the channel you want to erase.
For example, to erase channel 8, press CH +/- until 8 appears.



Press RETURN.

A "*" sign appears in front of the channel number display, indicating that the channel is erased from the channel scan memory.



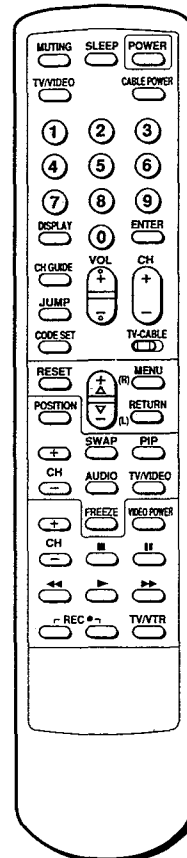
The next time you press the CH +/- buttons, channel 8 will be skipped.

To erase other channels
Repeat step 4.

Cable TV channel chart*
Cable TV systems use letters or numbers to designate channels. To tune in a channel, refer to the chart below.

Number on this TV	Corresponding cable TV channel	Number on this TV	Corresponding cable TV channel
1	A-8	33	T
5	A-7	34	U
6	A-6	35	V
14	A	36	W
15	B	37	W+1
16	C	38	W+2
17	D	39	W+3
18	E	:	:
19	F	93	W+57
20	G	94	W+58
21	H	95	A-5
22	I	96	A-4
23	J	97	A-3
24	K	98	A-2
25	L	99	A-1
26	M	100	W+59
27	N	101	W+60
28	O	102	W+61
29	P	:	:
30	Q	123	W+82
31	R	124	W+83
32	S	125	W+84

* This designation of cable TV channels conforms to the EIA/NCTA recommendation. Check with your local cable TV company for more complete information on the available channels.



RM-Y118

To return to the normal screen
Press MENU.

Note

If you add a VHF or UHF channel, the cable TV channel with the same number is also added, and vice versa.

Presetting Only Desired Channels—CHANNEL ADD

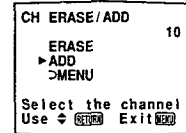
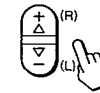
Use this feature to add channels one by one to the channel scan memory.

1-3 (Follow steps 1-3 in "Erasing Unnecessary Channels—CHANNEL ERASE," p.19.)

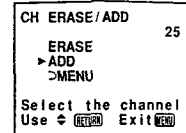
Note

If the CH ERASE/ADD display appears in black, the TV is in video mode and you cannot select CHANNEL ERASE/ADD. Press TV/VIDEO to change to TV mode.

4 Press Δ + or ∇ - to select ADD.

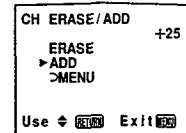


5 Press 0-9 and ENTER to select the channel you want to add.
For example, to add channel 25, press 2, 5 and ENTER.



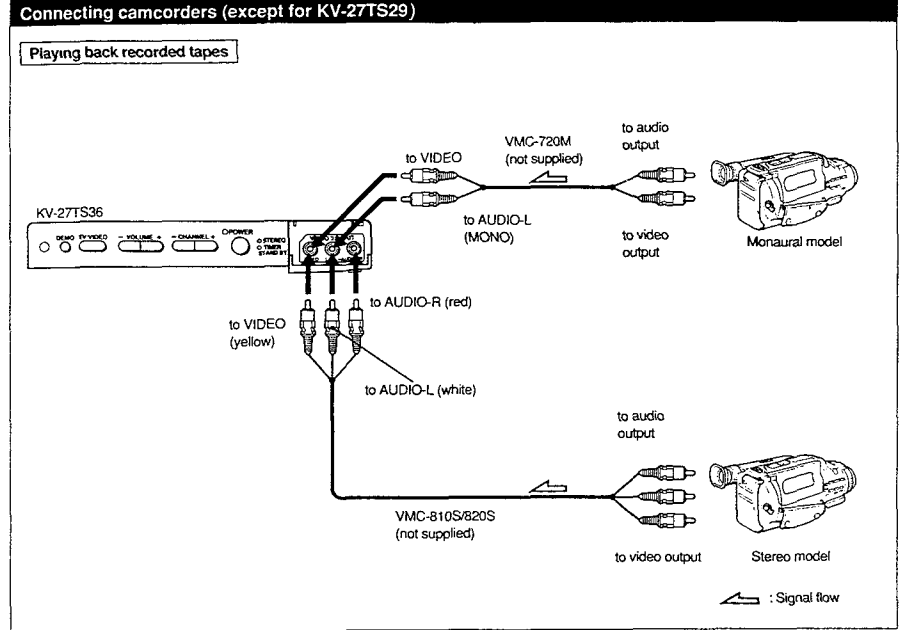
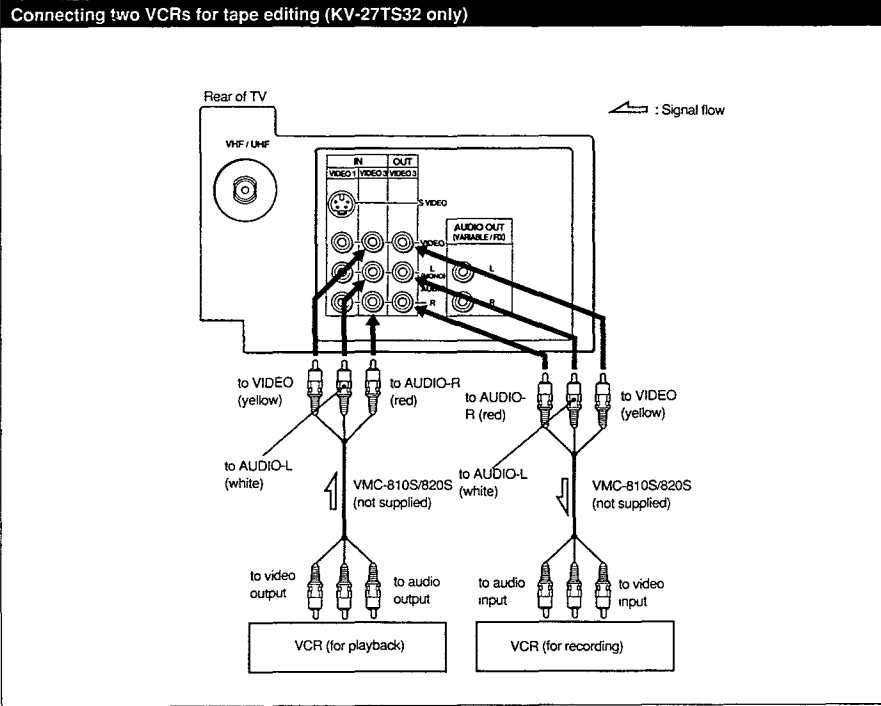
Press RETURN.

A "*" sign appears in front of the channel number display, indicating that the channel is added to the channel scan memory.



To add other channels
Repeat step 5.

1-6. CONNECTING OTHER EQUIPMENT



Preparing for use

Same as p. 23.

Watching a different image while duplicating

You can duplicate your recorded tapes by connecting two VCRs.

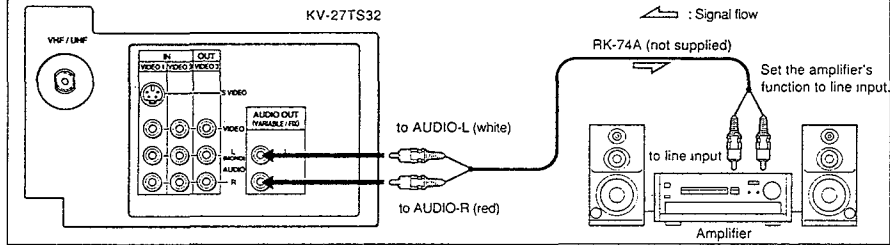
The VIDEO 3 OUT jacks only output the signal from the VIDEO 3 IN jacks. Connect a VCR for playback to VIDEO 3 IN jacks, and a VCR for recording to the VIDEO 3 OUT jacks. You can watch a TV program or images from VIDEO 1 IN or VIDEO 2 IN during duplicating.

To watch a different input image

Press TV/VIDEO on the TV or on the Remote Commander to select the input image you want to watch.

Audio System

Listening to TV or connected VCR sound through an audio system



Preparing for use

Display the mode set menu and set **SPEAKER** to **OFF** to cut off the TV speaker sound (p. 37), and listen to the TV's sound solely through the audio system speakers.

Note

By setting **AUDIO OUT** variable, you can adjust the bass, treble and balance, or select surround or an MTS (Multichannel TV Sound) mode, using the on-screen menus (pp. 34–36).

Connecting active super woofer (supplied with KV-32TS46 only)

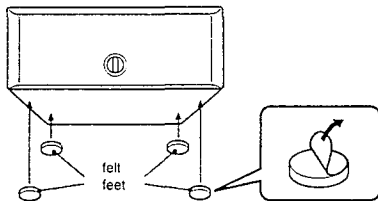
Preparing for use

To enjoy the active super woofer sound, make sure the connections are made as illustrated on the next page.

The woofer volume varies according to the TV volume. Adjust the woofer level control properly.

The active super woofer outputs the signal input to its **AUDIO IN** jacks. If you connect an audio system to the active super woofer's **AUDIO OUT** jacks, you can enjoy the sound from the audio system and the active super woofer simultaneously.

To make the active super woofer stable, attach the felt feet (supplied) to the bottom.

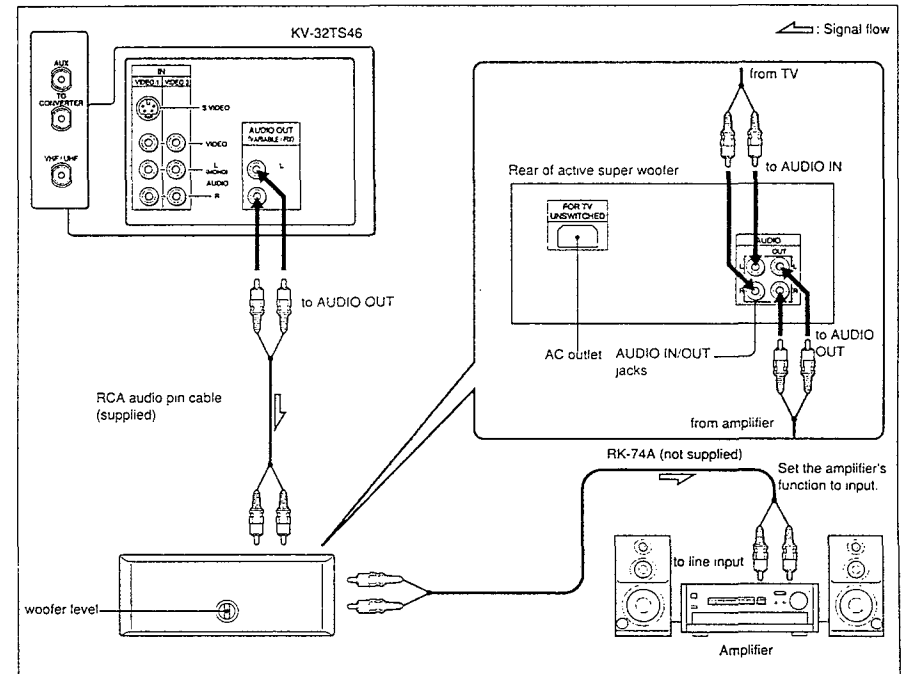


Notes

- Do not place the woofer on the TV set. To enjoy good sound, place the woofer on a hard object near the TV avoiding soft objects like carpets, sofas, etc.
- If you do not use the TV for more than 20 seconds, the active super woofer is turned off automatically to save on power consumption.
- When you release **MUTING**, the sound of the woofer is heard before that of the TV. This is normal.
- If you set **SPEAKER** to **OFF** in the **AUDIO** menu and select **FIX** in the **AUDIO OUT** menu (p.37), the volume of the woofer may be excessive. We recommend that you set **SPEAKER** to **ON** when you use the active super woofer.
- You should only connect the KV-32TS46 to the AC outlet on the active super woofer.

Active Super Woofer Specification

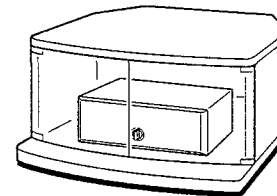
Input: 500 mVrms (100% modulation)
 Output: 500 mVrms (100% modulation)
 Impedance: 20 kilohms
 Speaker output: 9 W (100 Hz)
 Dimensions: 435 × 165 × 164 mm (W × H × D)
 (17 1/4 × 6 1/2 × 6 1/2 in.)
 Mass: 3.9 kg
 (8 lbs 10 oz)



Using TV stand

When you place the active super woofer on a TV stand (not supplied), remove the rear panel of the stand.

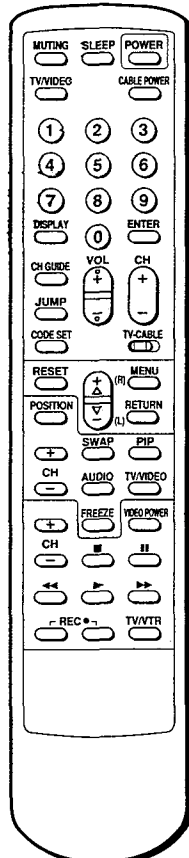
Sony or other manufacture's stand



Note

For good sound quality, avoid placing the stand in front of a curtain or close to a wall.

1-7. WATCHING TV PROGRAMS



RM-Y118

To return to the normal screen
Press MENU.

Note
If you set S VIDEO to ON, the TV automatically receives S video signals whenever a VCR with S video is connected.

Watching a Video with Your S Video-Equipped VCR (except for KV-27TTS29/2970RS)

Use this feature to set S VIDEO to ON or OFF depending on the kind of video equipment you have connected to the TV. For instructions on connecting video equipment, see pp.22-25.

Note

If the TV is in TV, VIDEO 2 or VIDEO 3 mode, the S VIDEO display appears in black and cannot be selected.

Press TV/VIDEO to change to VIDEO 1 mode.

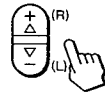
- 1** Press MENU.
The main menu appears.



▶VIDEO
AUDIO
TIME
SET UP
CLOSED CAPTION

Use \leftarrow \rightarrow Exit

- 2** Press Δ + or ∇ - to select SET UP



VIDEO
AUDIO
TIME
▶SET UP
CLOSED CAPTION

Use \leftarrow \rightarrow Exit

Press RETURN.
The SET UP menu appears.



SET UP
▶CABLE: ON
AUTO PROGRAM
CH ERASE/ADD
CH CAPTION/GUIDE
S VIDEO: ON
VIDEO LABEL
>MENU

- 3** Press Δ + or ∇ - to select S VIDEO.
Then press RETURN.



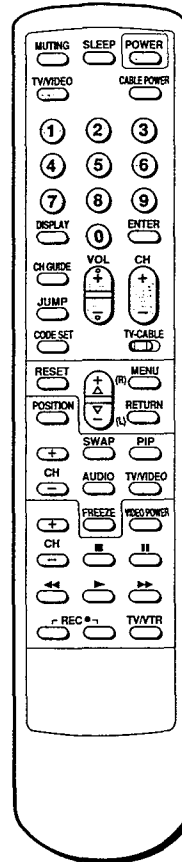
SET UP
CABLE: ON
AUTO PROGRAM
CH ERASE/ADD
CH CAPTION/GUIDE
▶S VIDEO: ON
VIDEO LABEL
>MENU

Press Δ + or ∇ - to select ON or OFF alternately.

SET UP
CABLE: ON
AUTO PROGRAM
CH ERASE/ADD
CH CAPTION/GUIDE
S VIDEO: ON
VIDEO LABEL
>MENU

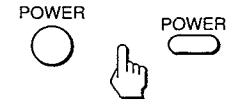
SET UP
CABLE: ON
AUTO PROGRAM
CH ERASE/ADD
CH CAPTION/GUIDE
S VIDEO: OFF
VIDEO LABEL
>MENU

Press RETURN.
The setting is completed.



RM-Y118

- 1** Press POWER on the TV or the Remote Commander to turn the TV on.
The TIMER/STAND BY indicator blinks until the picture appears.



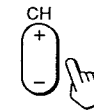
- 2** Turn the cable mode on or off to select the type of channel you want to watch, VHF/UHF or cable TV.
(Follow the steps in "Turning the Cable Mode On or Off," p. 17.)

If "VIDEO" or "S VIDEO" is displayed on the screen, press the TV/VIDEO button on the TV or on the Remote Commander so that the channel number appears.

- 3** Select a channel in one of the following two ways:

To scan the preset channels* in numerical sequence

Press CH +/-

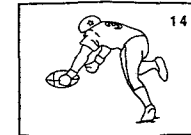


* For more information on presetting channels, see pp. 18 - 21.

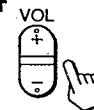
To select a channel directly

Press 0 - 9 and ENTER.

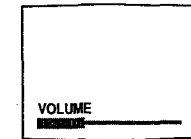
For example, to select channel 14, press 1, 4 and ENTER.



- 4** Press VOL +/- to adjust the volume.



The display will disappear automatically after 3 seconds.

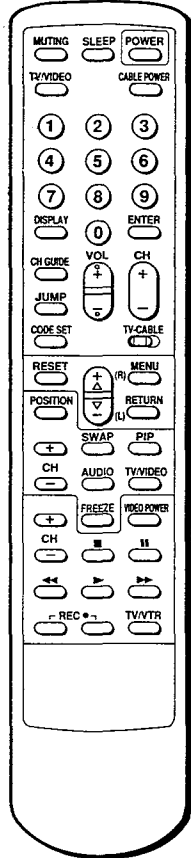


Press + to increase the volume.
Press - to decrease the volume.

To turn off the TV

Press POWER on the TV or the Remote Commander again.

1-8. USING CONVENIENT FEATURES



RM-Y118

Muting the Sound — MUTING

Press MUTING.
The display "MUTING" will appear on the screen.



To restore the sound
Press MUTING again, or press VOL +.

Keeping the Displays On-Screen — DISPLAY

To display the channel
Press DISPLAY.
All the existing displays appear: channel number, channel caption (if set), MTS mode ("SAP" only), window picture input mode and the current time ("AM" or "PM" disappears after about three seconds).



To cancel the display
Press DISPLAY again.
The channel display will disappear.

Using the Sleep Timer — SLEEP

The sleep timer turns off the TV automatically after the amount of time you select.

Press SLEEP.
Each time you press SLEEP, the time increments "30", "60", "90" and "OFF" mode appear in sequence.



SLEEP 30
SLEEP 60
SLEEP 90
SLEEP OFF

The SLEEP display appears about one minute before the TV turns off.

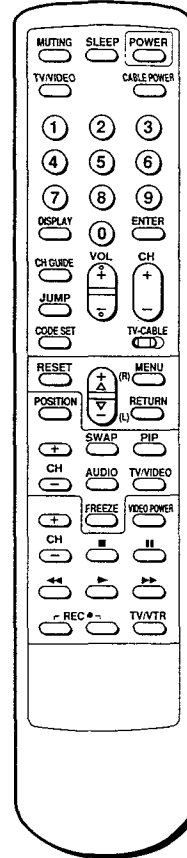
To cancel the setting
Press SLEEP until "OFF" mode appears.
The "SLEEP OFF" display appears for about three seconds.
OR
Turn the TV off.
The sleep timer setting is cancelled.

Switching Quickly Between Two Channels—JUMP

Press JUMP once to recall the channel you were watching previously. Press JUMP again to switch back. Use this feature to keep track of two programs alternately.



1-9. USING CLOSED CAPTION (U.S.A. models only)



RM-Y118

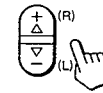
1 Press MENU.
The main menu appears.



```

>VIDEO
AUDIO
TIME
SET UP
CLOSED CAPTION
Use < (M) Exit (M)
    
```

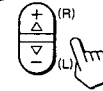
2 Press Δ+ or ∇- to select CLOSED CAPTION.
Then press RETURN.
The CLOSED CAPTION screen appears.



```

CLOSED CAPTION
>CC/TEXT OFF
CC1
CC2
TEXT1
TEXT2
MENU
Use < (M) Exit (M)
    
```

3 Press Δ+ or ∇- to select closed caption mode.



Select CC1 or CC2 to view Captions.
A Caption is a printed version of the dialogue or sound effects of a program. (The mode should be set to CC1 for most programs.)

```

CLOSED CAPTION
CC/TEXT OFF
>CC1
CC2
TEXT1
TEXT2
MENU
Use < (M) Exit (M)
    
```

Select TEXT1 or TEXT2 to view Text.
Text is information that is presented using the half to full television screen. It is usually not related to the program.

```

CLOSED CAPTION
CC/TEXT OFF
CC1
CC2
>TEXT1
TEXT2
MENU
Use < (M) Exit (M)
    
```

Select CC/TEXT OFF if you do not want to use the CLOSED CAPTION mode.

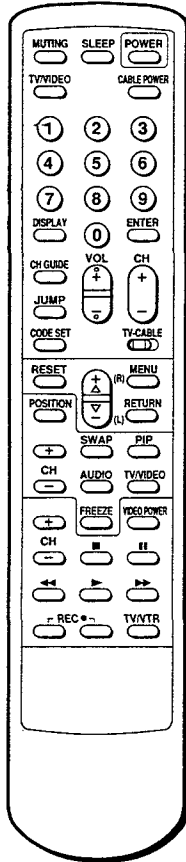
```

CLOSED CAPTION
>CC/TEXT OFF
CC1
CC2
TEXT1
TEXT2
MENU
Use < (M) Exit (M)
    
```

Press RETURN.
The setting is completed.



1-10. WATCHING TWO PICTURES AT ONCE (Picture-in-Picture)

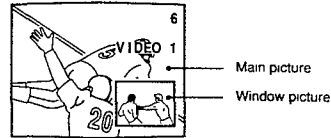


RM-Y118

Note

To operate your VCR with the supplied Remote Commander, See "Using the Pre-Programmed Remote Commander", pp. 55-57.

You can watch both the main picture and a window picture simultaneously by using the Picture-in-Picture (PIP) function. Model KV-32TS46 is equipped with two-tuner PIP, allowing you to watch two TV channels at once. Other models are equipped with one-tuner PIP. To watch two different TV channels, you must first connect a VCR to the TV, to watch a second TV channel through the VCR tuner. (See "Connecting Other Equipment", pp. 22-27.)



Picture-in-Picture special features

When watching the main picture and a window picture, you can:

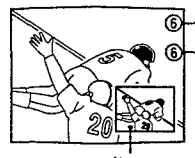
- Swap the main and window pictures (SWAP).
- Change the position of the window picture (POSITION).
- Display a still picture as a window (FREEZE).
- Choose the sound from the main or window picture (AUDIO).

Displaying a window picture—PIP

Press PIP to display a window picture

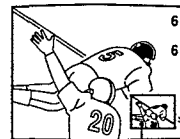


Input-source mode or TV channel for the main picture



Input-source mode or TV channel for the window picture

Press PIP again to display a smaller window picture

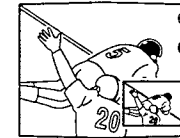


1/4 size

To disappear the window picture
Press PIP once more.

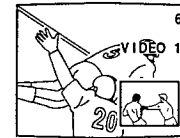
Changing the window picture input mode

1 Press PIP to display a window picture.



2 Press TV/VIDEO in the Picture-in-Picture control area to select the input mode.

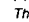
Each time you press TV/VIDEO, "TV", "VIDEO 1", "VIDEO 2" and "VIDEO 3" appear in sequence.



A window picture will appear in the same input mode as the last time you used PIP

To receive the window picture sound

Press AUDIO.

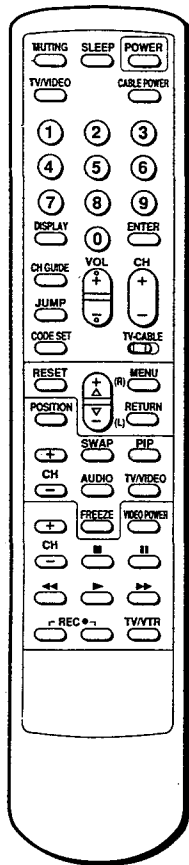
The  display appears for a few seconds, indicating that the window picture sound is being received.



To restore the main picture sound
Press AUDIO again.

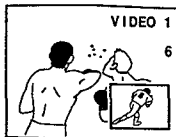
Notes

- If the main picture is not receiving an image, the window picture may be in black and white.
- When you turn PIP on or when you turn the TV on with PIP mode on the window picture will appear at the bottom right of the screen.
- The window picture may be affected by the condition of the main picture.
- The window picture sound is also output from the VARIABLE/FIX AUDIO OUT jacks.

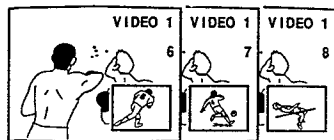
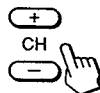


Changing TV channels in the window picture

1 Press PIP to display a window picture.



2 Press CH +/- in the PIP control area.

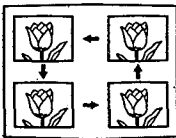


Changing the position of the window picture—POSITION

1 Press PIP to display a window picture.



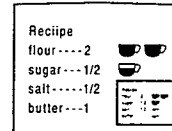
2 Press POSITION.
Each time you press POSITION, the window picture will move counterclockwise on the screen, as illustrated below.



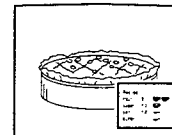
Displaying a still picture — FREEZE

Use the FREEZE function to display a still picture as a window. This function is useful when you want to write down a recipe from a cooking program, a displayed address or a phone number and so on.

1 Press PIP to display a window picture.



2 Press FREEZE.
The window picture image remains still on the screen.



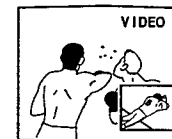
To restore the normal picture
Press FREEZE again.

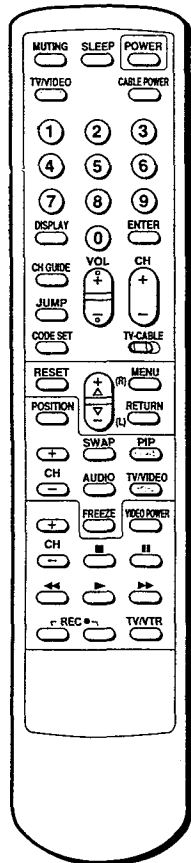
Swapping the main and window pictures — SWAP

1 Press PIP to display a window picture.



2 Press SWAP.
Each time you press SWAP, the images from the main and window pictures switch places.

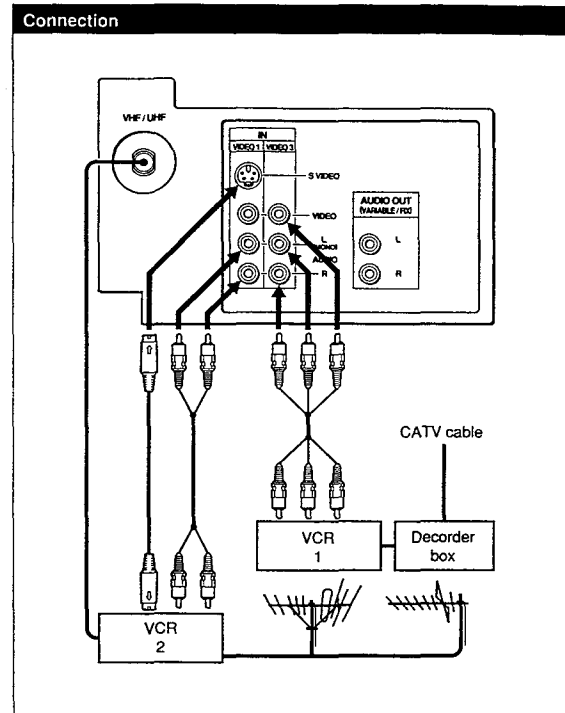




RM-Y118

Displaying a pay cable TV channel as a window picture

To display a pay cable TV channel as a window picture, connect your decoder box as illustrated below.

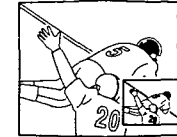


Note

The channels being received through the AUX terminal cannot be displayed as a window picture. (KV-32TS46 only)

After making the connections, turn the cable mode on by following the steps "Turning the Cable Mode On or Off", p. 17. Then continue with steps below.

- 1 Press PIP to display a window picture.



- 2 Press TV/VIDEO in the Picture-in-Picture control area to select the input mode.

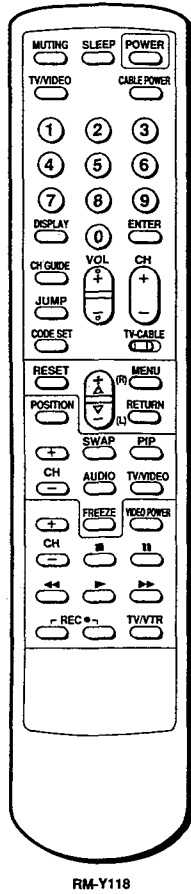
Each time you press TV/VIDEO, "TV", "VIDEO 1", "VIDEO 2" and "VIDEO 3" appear in sequence.



- 3 Put your VCR on an inactive channel (CH 3 or 4).

- 4 Change pay cable TV channels with the decoder box.

1-11. USING THE TIMER-ACTIVATED FUNCTIONS



Setting the Clock—CURRENT TIME SET

Follow these instructions to set the current time. The correct time must be set in order to use the timer-activated functions (ON/OFF TIMER, CHANNEL BLOCK).

EXAMPLE: Set the time to 3:15 PM, Monday.

1 Press MENU.
The main menu appears.

►VIDEO
AUDIO
TIME
SET UP
CLOSED CAPTION

Use ◄ RETURN Exit ►

2 Press Δ+ or ∇- to select TIME.

VIDEO
AUDIO
►TIME
SET UP
CLOSED CAPTION

Use ◄ RETURN Exit ►

Press RETURN.
The TIME menu appears, and the cursor points to "CURRENT TIME SET"

TIME
►CURRENT TIME SET
ON/OFF TIMER
CHANNEL BLOCK
>MENU

---:--:-- AM

Use ◄ RETURN Exit ►

3 Press RETURN.
The CURRENT TIME SET screen appears.

CURRENT TIME SET

►---:--:-- AM

>MENU

Use ◄ RETURN Exit ►

4 Press RETURN again.
"Set the day." appears on the screen.

CURRENT TIME SET

SUN 12:00 AM

>MENU

Set the day.

Use ◄ RETURN Exit ►

5 Press Δ+ or ∇- to set the day.
Each time you press Δ+ or ∇-, the day changes consecutively.

Press RETURN.
"Set the time." appears on the screen.

CURRENT TIME SET

MON 12:00 AM

>MENU

Set the time.

Use ◄ RETURN Exit ►

6 Press Δ+ or ∇- to set the hour.
Each time you press Δ+ or ∇-, the hour changes starting with "12:00 AM."

Press RETURN.

CURRENT TIME SET

MON 3:00 PM

>MENU

Set the time.

Use ◄ RETURN Exit ►

7 Press Δ+ or ∇- to set the minutes.
Each time you press Δ+ or ∇-, the minutes change in sequence.

Press RETURN.

CURRENT TIME SET

MON 3:15 PM

>MENU

Set the time.

Use ◄ RETURN Exit ►

Press RETURN.
The setting is completed, and the clock starts.

CURRENT TIME SET

► MON 3:15 PM

>MENU

Use ◄ RETURN Exit ►

To reset the time
Press RESET while in the CURRENT TIME screen, and repeat steps 4–7.

To display the time
Press DISPLAY.

To return to the normal screen
Press MENU.

Notes

- The internal clock of this TV operates on a 12-hour cycle. If a 24-hour cycle number (for instance, 13:00) is entered, it will be cleared when you press RETURN.

12:00 AM stands for midnight.
12:00 PM stands for noon.

- All the settings including CURRENT TIME SET will be erased if you unplug the TV or a power failure occurs. Reset the current time by following steps 1–7.

Setting the ON/OFF TIMER

With this function you can set your favorite program to appear on the screen at the time that you set.

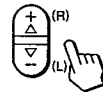
EXAMPLE: Set the timer to turn on the TV every Monday through Friday at 3:15 PM for 2 hours, on channel 21.

- 1** Press MENU.
The main menu appears.



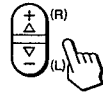
▶VIDEO
AUDIO
TIME
SET UP
CLOSED CAPTION
Use Δ (RETURN) Exit (EXIT)

- 2** Press Δ or ∇ to select TIME.
Then press RETURN.
The TIME menu appears.



TIME
▶CURRENT TIME SET
ON/OFF TIMER
CHANNEL BLOCK
>MENU
MON 3:15 H
Use Δ (RETURN) Exit (EXIT)

- 3** Press Δ or ∇ to select ON/OFF TIMER.
Then press RETURN.
The ON/OFF TIMER screen appears.



ON/OFF TIMER
▶EVERY SUN-SAT
12:00M _h CH____
>MENU
Use Δ (RETURN) Exit (EXIT)

Note

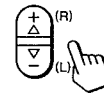
If the ON/OFF TIMER display appears in black, the current time has not been set and you cannot select ON/OFF TIMER. To set the clock, see "Setting the Clock—CURRENT TIME SET", pp. 44–45.

- 4** Press RETURN again.
"Set the day." appears on the screen.



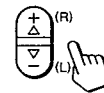
ON/OFF TIMER
EVERY SUN-SAT
12:00M _h CH____
>MENU
Set the day.
Use Δ (RETURN) Exit (EXIT)

- 5** Press Δ or ∇ to set the day.
Each time you press Δ or ∇ the days of the week change as shown in Fig. 1.
Then press RETURN.
"Set the time." appears on the screen.



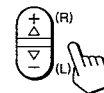
ON/OFF TIMER
EVERY MON-FRY
12:00M _h CH____
>MENU
Set the time.
Use Δ (RETURN) Exit (EXIT)

- 6** Press Δ or ∇ to set the hour that you want the TIMER to start.
Each time you press Δ or ∇ , the hour changes in sequence.
Then press RETURN.



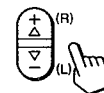
ON/OFF TIMER
EVERY MON-FRY
3:00M _h CH____
>MENU
Set the time.
Use Δ (RETURN) Exit (EXIT)

- 7** Press Δ or ∇ to set the minutes.
Each time you press Δ or ∇ , the minutes change in sequence.
Then press RETURN.
"Set the duration." appears on the screen.



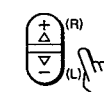
ON/OFF TIMER
EVERY MON-FRY
3:15M _h CH____
>MENU
Set the duration.
Use Δ (RETURN) Exit (EXIT)

- 8** Press Δ or ∇ to set the duration of time.
Each time you press Δ or ∇ , the duration changes from "1" to "6" in sequence.
Then press RETURN.
"Select the channel" appears on the screen.



ON/OFF TIMER
EVERY MON-FRY
3:15M 2h CH____
>MENU
Select the channel!
Use Δ (RETURN) Exit (EXIT)

- 9** Press Δ or ∇ to set the channel that you want the TV to tune in.
Each time you press Δ or ∇ , the channel number changes from 1 to 125 in sequence.



ON/OFF TIMER
EVERY MON-FRY
3:15M 2h CH 21
>MENU
Select the channel!
Use Δ (RETURN) Exit (EXIT)

Press RETURN.
The setting is completed, and the TIMER indicator on the front of the TV lights up.



ON/OFF TIMER
▶EVERY MON-FRY
3:15M 2h CH 21
>MENU
Use Δ (RETURN) Exit (EXIT)

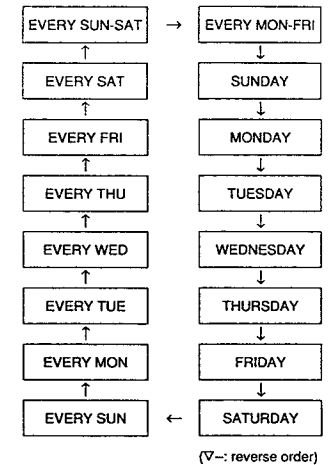
To clear the ON/OFF TIMER setting
Press RESET while in the ON/OFF TIMER screen.

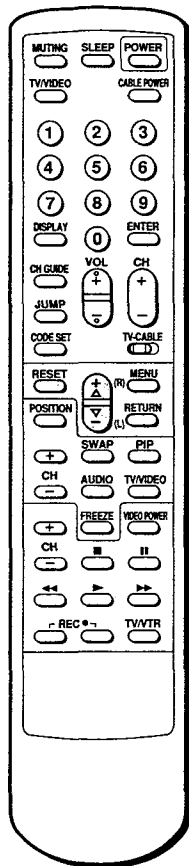
To return to the normal screen
Press MENU.

Notes

- While the TIMER is set, the TIMER indicator on the TV is on.
- One minute before the timer goes off, the "TV will turn off" display will appear on the screen.
- All the settings including ON/OFF TIMER will be erased if you unplug the TV or a power failure occurs. Reset the ON/OFF TIMER by following steps 1-9.
- If you have not set the clock correctly, the ON/OFF TIMER will not operate at the proper time. To set the clock, see "Setting the Clock—CURRENT TIME SET", pp. 44–45.

Fig. 1
Selecting the day(s) of the week
When you press Δ , the days of the week appear in the following order.





RM-Y118

Setting CHANNEL BLOCK

Use this function to block a channel from appearing on the screen during the time you specify. You can use this function to prevent children from watching undesirable programs.

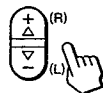
EXAMPLE: Set CHANNEL BLOCK every Sunday at 8:45 PM for one hour, on channel 38.

- 1** Press MENU.
The main menu appears.



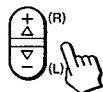
VIDEO
AUDIO
TIME
SET UP
CLOSED CAPTION
Use \leftarrow RETURN Exit

- 2** Press Δ or ∇ to select TIME.
Then press RETURN.
The TIME menu appears.



TIME
CURRENT TIME SET
ON/OFF TIMER
CHANNEL BLOCK
>MENU
MON 3:15 PM
Use \leftarrow RETURN Exit

- 3** Press Δ or ∇ to select CHANNEL BLOCK.
Then press RETURN.
The CHANNEL BLOCK screen appears.



CHANNEL BLOCK
>EVERY SUN-SAT
12:00AM _h CH____
>MENU
Use \leftarrow RETURN Exit

Note

If the CHANNEL BLOCK display appears in black, the current time has not been set and you cannot select CHANNEL BLOCK. To set the clock, see "Setting the Clock—CURRENT TIME SET", pp. 44-45.

- 4** Press RETURN again.
"Set the day." appears on the screen.



CHANNEL BLOCK
EVERY SUN-SAT
12:00AM _h CH____
>MENU
Set the day.
Use \leftarrow RETURN Exit

- 5** Press Δ or ∇ to set the day.
Each time you press Δ or ∇ -, the days of the week change as shown in Fig. 1. (See p. 47.)

Then press RETURN.
"Set the time." appears on the screen.



CHANNEL BLOCK
SUNDAY
12:00AM _h CH____
>MENU
Set the time.
Use \leftarrow RETURN Exit

- 6** Press Δ or ∇ to set the hour.
Each time you press Δ or ∇ -, the hour changes in sequence.
Then press RETURN.



CHANNEL BLOCK
SUNDAY
8:00PM _h CH____
>MENU
Set the time.
Use \leftarrow RETURN Exit

- 7** Press Δ or ∇ to set the minutes.
Each time you press Δ or ∇ -, the minutes change in sequence.
Then press RETURN.
"Set the duration." appears on the screen.



CHANNEL BLOCK
SUNDAY
8:45PM _h CH____
>MENU
Set the duration.
Use \leftarrow RETURN Exit

- 8** Press Δ or ∇ to set the duration of time that you want the TV remain blocked.
Each time you press Δ or ∇ -, the duration changes from 1 to 6 in sequence.
Then press RETURN.
"Select the channel" appears on the screen.



CHANNEL BLOCK
SUNDAY
8:45PM 1h CH____
>MENU
Select the channel
Use \leftarrow RETURN Exit

- 9** Press Δ or ∇ to set the channel that you want to block.
Each time you press Δ or ∇ -, the channel number changes from 1 to 125 in sequence.



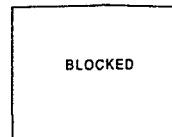
Press RETURN.
The setting is completed.



CHANNEL BLOCK
SUNDAY
8:45PM 1h CH 38
>MENU
Select the channel
Use \leftarrow RETURN Exit

CHANNEL BLOCK
>SUNDAY
8:45PM 1h CH 38
>MENU
Use \leftarrow RETURN Exit

If you select a channel which has been blocked, the message of "BLOCKED" appears.



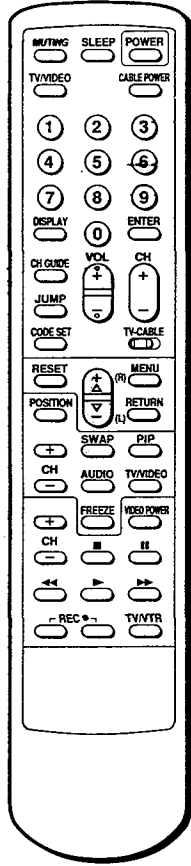
To clear the BLOCK setting
Press RESET while in the CHANNEL BLOCK screen.

To return to the normal screen
Press MENU.

Notes

- If you set a new CHANNEL BLOCK by following steps 1-9, the original setting will be erased.
- If you have not set the clock correctly, CHANNEL BLOCK will not operate at the proper time. To set the clock, see "Setting the Clock—CURRENT TIME SET", pp. 44-45.

1-12. CUSTOMIZING THE SCREEN DISPLAY



RM-Y118

Setting Channel Captions — CH CAPTION

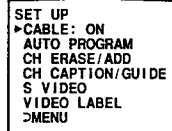
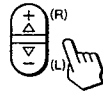
Use this feature to caption up to 12 channel number displays with the matching channel call letters.

EXAMPLE: Caption channel 20 with ESPN at the caption position number 4.

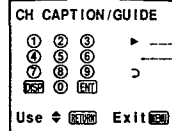
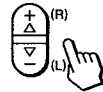
- 1** Press MENU.
The main menu appears.



- 2** Press Δ or ∇ to select SET UP.
Then press RETURN.
The SET UP menu appears.



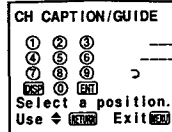
- 3** Press Δ or ∇ to select CH CAPTION/GUIDE.
Then press RETURN.
The CH CAPTION/GUIDE screen appears.



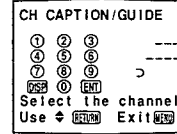
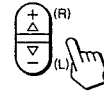
Note

If the CH CAPTION display appears in black, the TV is in video mode and you cannot select CH CAPTION/GUIDE. Press TV/VIDEO to change to TV mode.

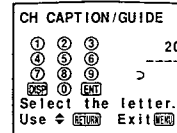
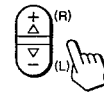
- 4** Press RETURN again.
"Select a position." appears on the screen.



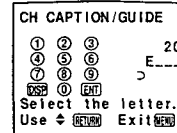
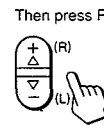
- 5** Press Δ or ∇ to select a caption position number.
Each time you press Δ or ∇ , the caption position number is marked in sequence.
Then press RETURN.
"Select the channel" appears on the screen.



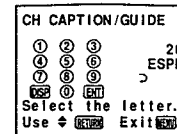
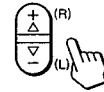
- 6** Press Δ or ∇ to select the channel you want to caption.
Each time you press Δ or ∇ , the channel number changes from 1 to 125.
Then press RETURN.
"Select the letter." appears on the screen.



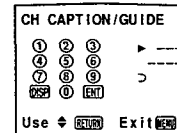
- 7** Press Δ or ∇ to select the first letter.
Each time you press Δ or ∇ , "0-9", "A-Z", "&", "!", "-", and "_" (blank space) appear in sequence.



- 8** Repeat step 7 to select each remaining letter.
(For a 3-letter caption, leave a space by pressing RETURN only.)



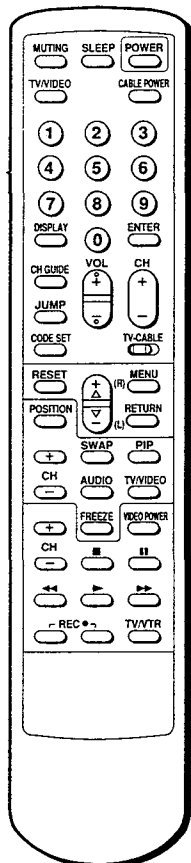
- 9** Press RETURN.
The setting is completed.



To caption other channels
Repeat steps 4-9.

To erase unneeded captions
Call the caption setting screen by following steps 1-5, and press RESET.

To return to the normal screen
Press MENU.



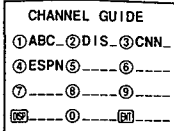
RM-Y118

Viewing the Captioned Channels — CH GUIDE

Use this feature to display the captions you set, and to select a channel directory for viewing.

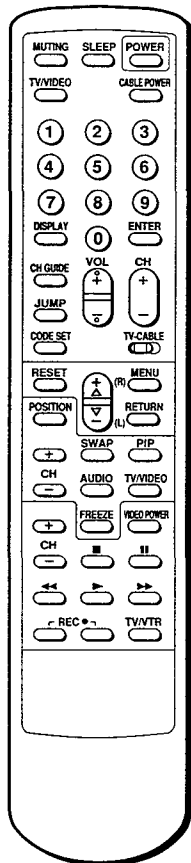
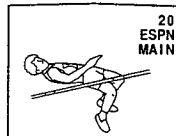
- 1 Press CH GUIDE.
A directory appears, corresponding to the directory keys on the Remote Commander.

CH GUIDE



To cancel the CHANNEL GUIDE screen
Press CH GUIDE again.

- 2 Press the directory key of the channel you want to watch.



RM-Y118

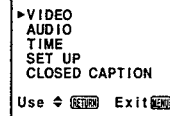
Setting VIDEO LABEL (except for KV-27TS29/2970RS)

Use this feature to label each input mode in order to identify the equipment connected to each input terminal.

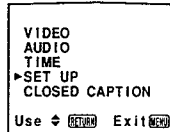
EXAMPLE. Label VIDEO 1 IN as VHS.

- 1 Press MENU.
The main menu appears.

MENU

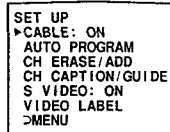


- 2 Press Δ+ or ∇- to select SET UP

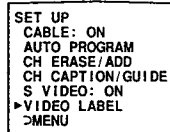


Press RETURN.
The SET UP menu appears.

RETURN



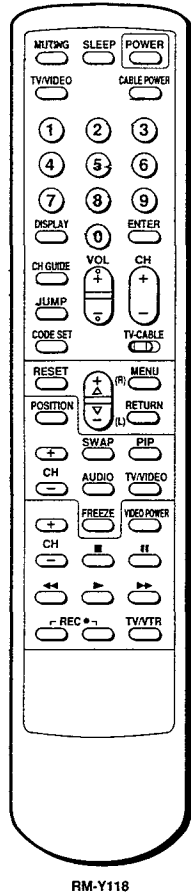
- 3 Press Δ+ or ∇- to select VIDEO LABEL.



Press RETURN.
The VIDEO LABEL screen appears.

RETURN





To return to the normal screen
Press MENU.

4 Press $\Delta+$ or $\nabla-$ to select the input mode you want to label.

Press RETURN.

VIDEO LABEL

▶VIDEO1: VIDEO1
VIDEO2: VIDEO2
VIDEO3: VIDEO3
>MENU

Use \leftarrow RETURN Exit MENU

5 Press $\Delta+$ or $\nabla-$ to select VHS.

Each time you press $\Delta+$, the label changes:

VIDEO 1
VIDEO 1 → S VIDEO → BETA → 8 mm → VHS → LD

VIDEO 2
VIDEO 2 → BETA → 8 mm → VHS → LD

VIDEO 3
VIDEO 3 → BETA → 8 mm → VHS → LD

($\nabla-$: reverse order)

Press RETURN.

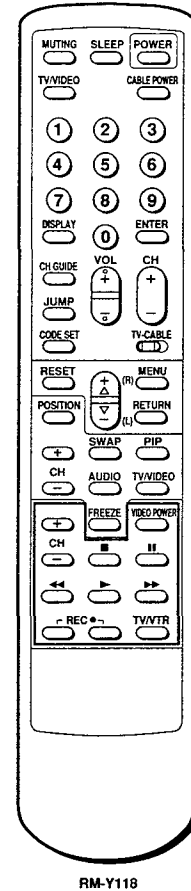
VIDEO LABEL

▶VIDEO1: VHS
VIDEO2: VIDEO2
VIDEO3: VIDEO3
>MENU

Use \leftarrow RETURN Exit MENU

To label other input modes
Repeat steps 4–5.

1-13. USING THE PRE-PROGRAMMED REMOTE COMMANDER



You can operate your video equipment and cable converter box that has an infrared remote detector with this supplied pre-programmed Remote Commander.

Operating Sony or non-Sony Video Equipment—Pre-Programmed Function

With the supplied Remote Commander, you can operate a Sony video cassette recorder (Beta, 8 mm, VHS) or a multi disc player as well as most non-Sony video equipment connected to your TV by following the steps below.

- 1** While pressing CODE SET, press 0 - 9 to enter the manufacturer's code number (see chart on p. 56). For example, to operate a Sony 8 mm VCR, press 0, 2 and ENTER.



- 2** Use the video operating buttons on the Remote Commander to operate the video equipment.

Operating a VCR

To turn on or off
To change channels (when watching TV programs through the VCR's tuner)
To record
To play
To stop
To fast forward
To rewind the tape
To pause
To search the picture forward and backward

Press VIDEO POWER.
Press CH +/-

Press \bullet (2 buttons simultaneously).
Press \blacktriangleright
Press \blacksquare .
Press $\blacktriangleright\blacktriangleright$
Press $\blacktriangleleft\blacktriangleleft$.
Press II .
Press $\blacktriangleright\blacktriangleright$ or $\blacktriangleleft\blacktriangleleft$ during playback.

Operating a Video Disc Player

To play
To stop
To pause

To search the picture forward and backward

Press \blacktriangleright
Press \blacksquare .
Press II .
To resume normal playback, press again.
*This function is effective only for CAV (standard-play disc). With CLV (extended-play disc), the TV will go into the standby mode if II is pressed.
Keep pressing $\blacktriangleright\blacktriangleright$ or $\blacktriangleleft\blacktriangleleft$ during playback.
To resume normal playback, release the button.

Manufactures and Code Numbers (VCR/video disc player)

Manufacturer	Code number
SONY	01, 02, 03, 04
CANON	05
EMERSON	22, 30, 33
FISHER	10, 11, 12, 15
FUNAI	29
GENERAL ELECTRIC	05, 08
GOLDSTAR	25
HITACHI	07, 08
JVC	16
MAGNAVOX	05, 06, 09
MITSUBISHI	18, 19, 26, 27
MULTITECH	29
NEC	16, 23, 31
PANASONIC	05, 06
PHILCO	05, 06
PHILIPS	05, 06, 09
QUASAR	05, 06
RCA	07, 08
SAMSUNG	24, 32
SANYO	11, 15
SCOTT	21
SHARP	13, 14
SHINTOM	34
SYLVANIA	05, 06, 09
SYMPHONIC	29
TEKNIKA	28, 29
TOSHIBA	20, 21
TOTE VISION	25
ZENITH	17

The code numbers for Sony equipment are assigned as follows:

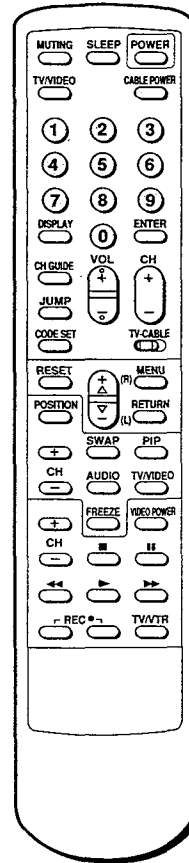
- 01 Beta, ED Beta VCR
- 02 8 mm VCR
- 03 VHS VCR
- 04 Video disc player

Notes

- If more than one code number is listed for manufacturers other than Sony, try entering them one by one, until you come to the correct code for your equipment.
- If the video equipment does not have a certain function, the corresponding button on this Remote Commander will not operate.
- In some rare cases, you may not be able to operate your non-Sony video equipment with the supplied Remote Commander. This is because your equipment may use a code that is not provided with this Remote Commander. In this case, please use the equipment's own remote control unit.

CAUTION

When you remove the batteries from the Remote Commander, all the settings will revert to the Sony Beta setting. Reset the codes by following the steps on p. 55.



RM-Y118

Manufactures and Code Numbers (cable box)

MANUFACTURER	CODE
JERROLD	60, 61, 62, 63, 64, 65
PIONEER	69, 70
SCIENTIFIC ATLANTA	66, 67
TOCOM	71, 72
ZENITH	68

Operating a Cable Converter Box

Follow these instructions to set the manufacturer's code which will enable you to operate a connected cable converter box with the pre-programmed Remote Commander.

EXAMPLE: Operate a connected Zenith cable converter box.

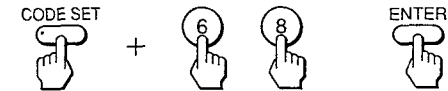
- 1** Set the TV/CABLE selector to CABLE.



Notes

- If more than one code number is listed, try entering them one by one until you come to the correct code for your equipment.
- If you enter a new code number, the code number you previously entered at that setting is erased.
- In some rare cases, your equipment may use a code that is not provided with this Remote Commander and you may not be able to operate your cable converter box with the supplied Remote Commander. In this case, use the equipment's own remote control unit.

- 2** While pressing CODE SET, press 6 and 8 (Zenith's code number -see chart below) and ENTER.

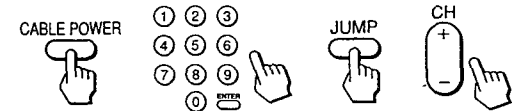


A long beep sound's, indicating that the code has been set.

Note

If you press a wrong code or if the code has not been set, four short beeps sound. Repeat step 2 to set the code.

- 3** Use CABLE POWER and the TV control buttons (0 - 9, ENTER, JUMP and CH +/-) to operate the cable converter box.



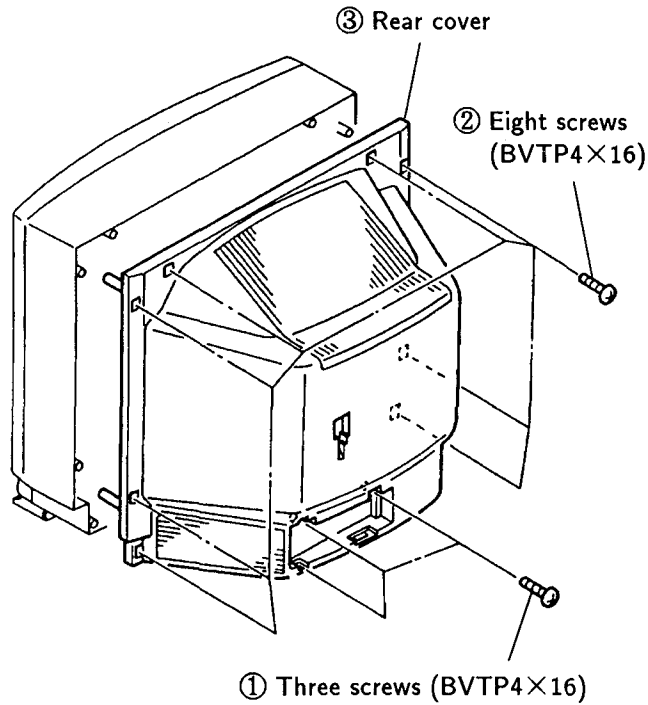
To operate the TV

Set the TV/CABLE selector to TV, then use the TV control buttons to control the TV.

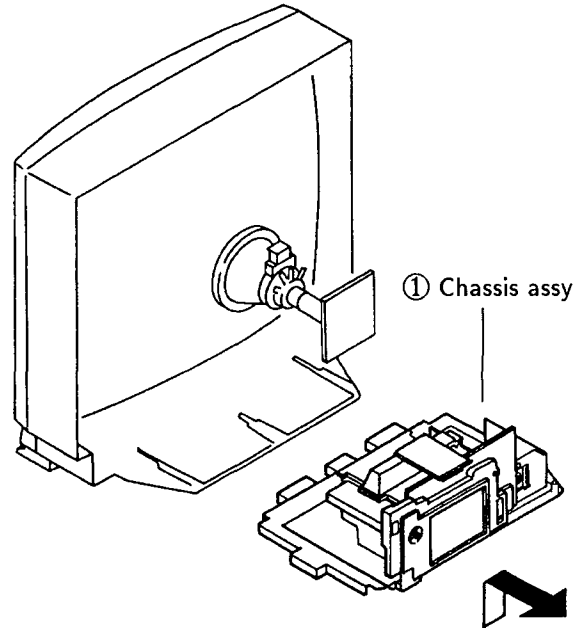
For more details on operating the cable box
Refer to the operating instructions that come with the cable box.

SECTION 2 DISASSEMBLY

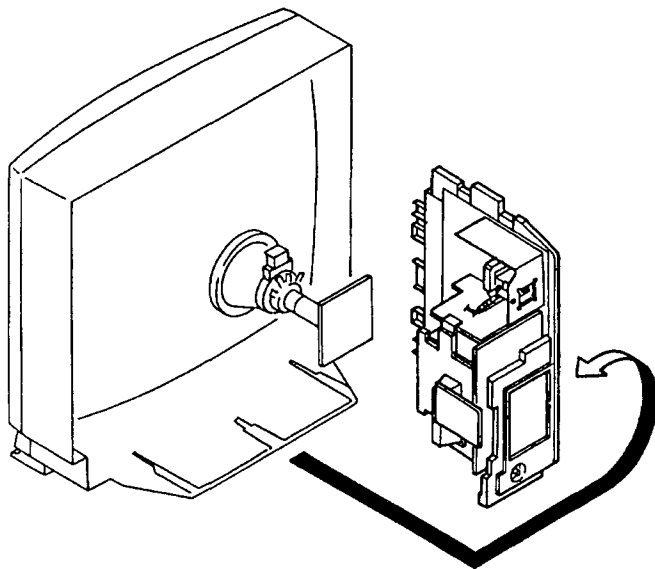
2-1. REAR COVER REMOVAL



2-2. CHASSIS ASSY REMOVAL

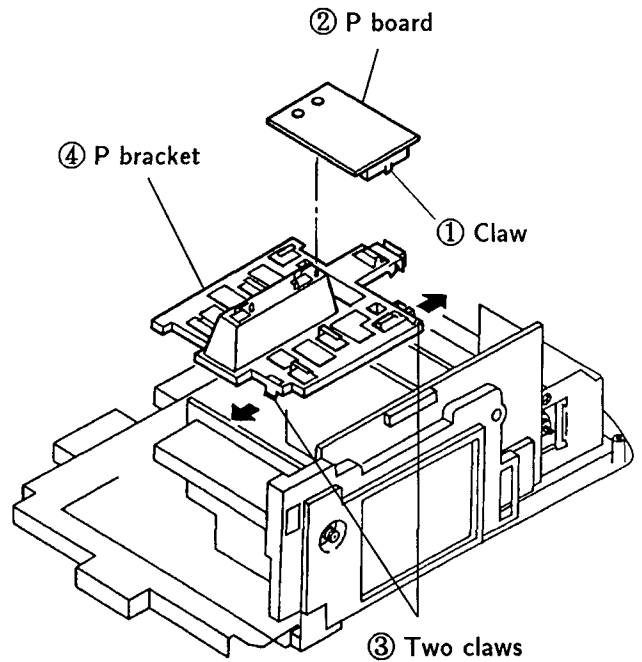


2-3. SERVICE POSITION

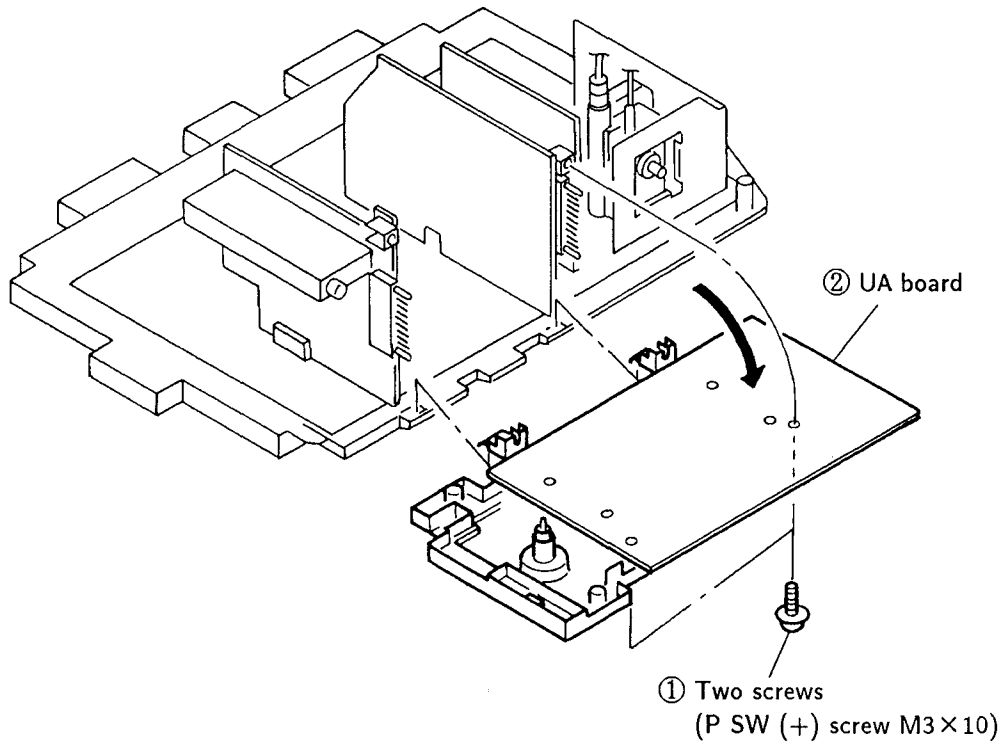


2-4. P BOARD AND P BRACKET REMOVAL

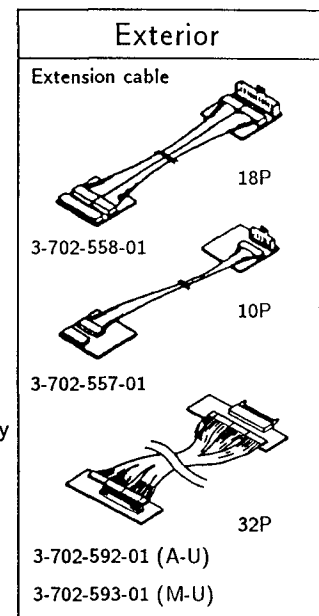
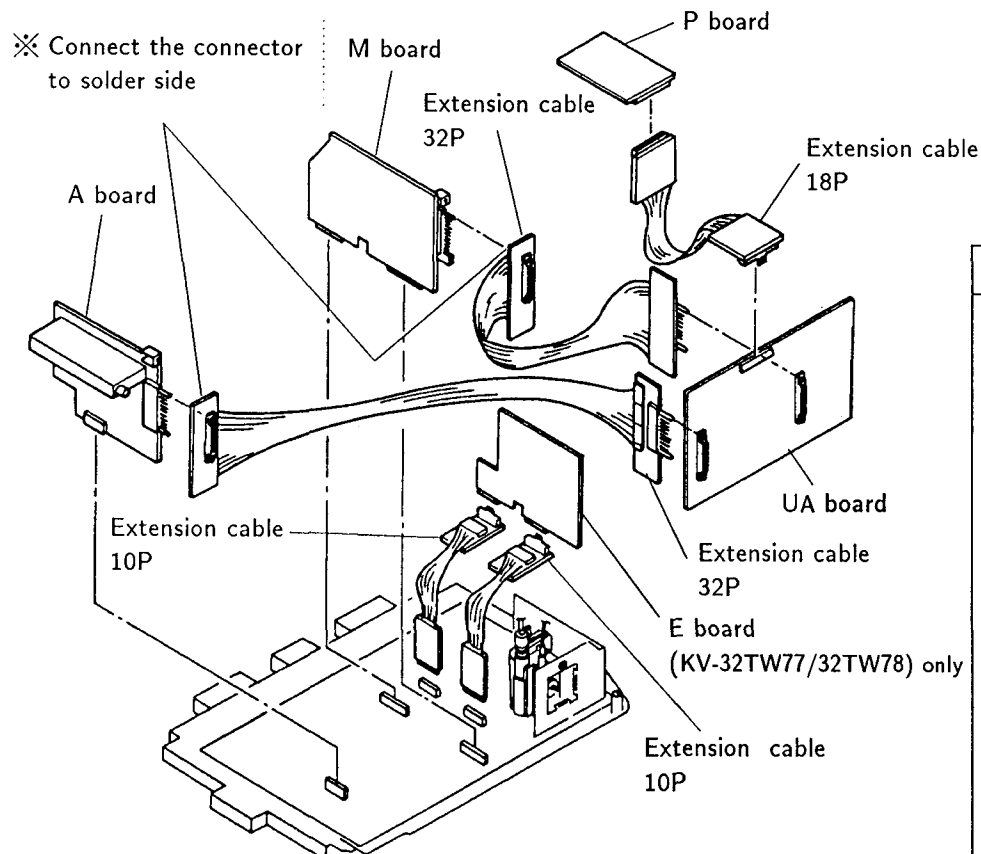
(KV-32TS46 (UC/CND)/32TS36 (US/CND)
 /27TS36 (US/CND) only)



2-5. UA BOARD REMOVAL

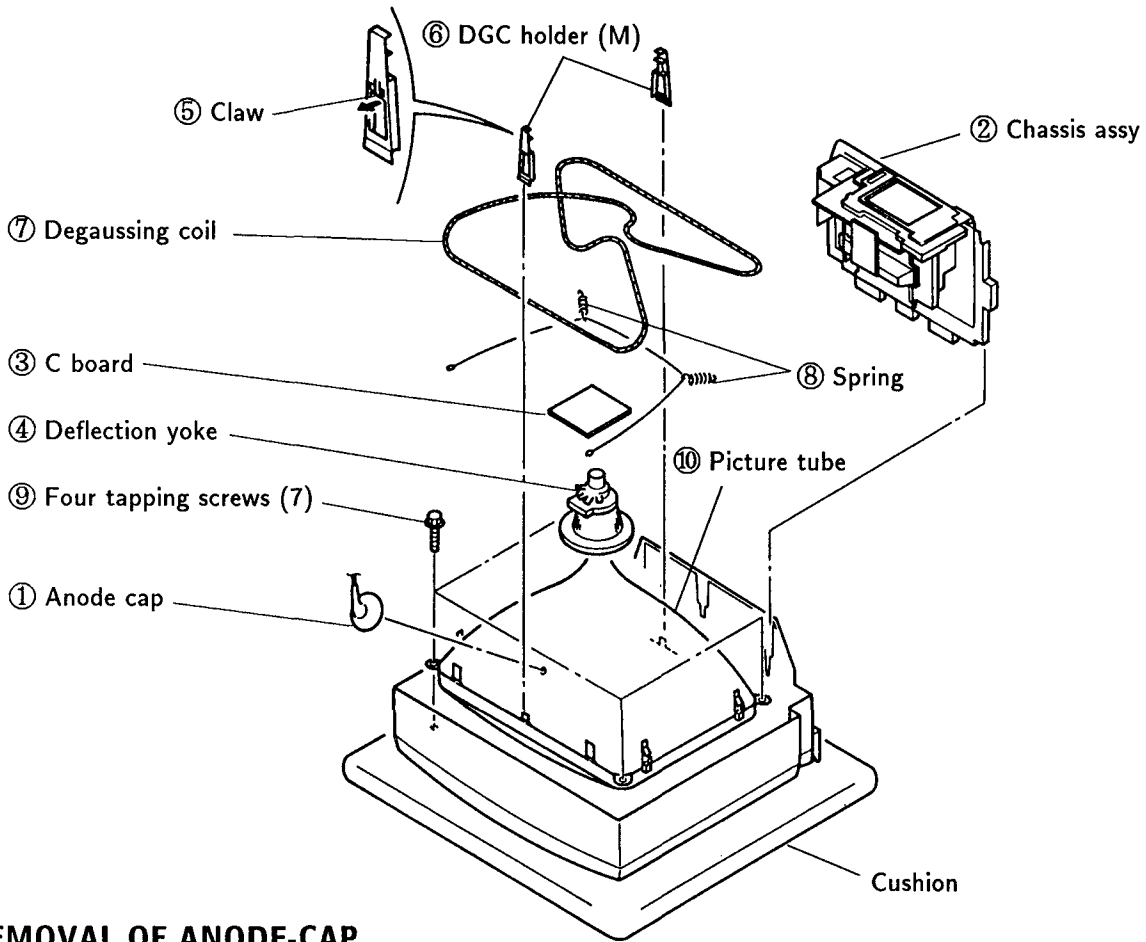


2-6. EXTENSION CABLE



2-7. PICTURE TUBE REMOVAL (1)

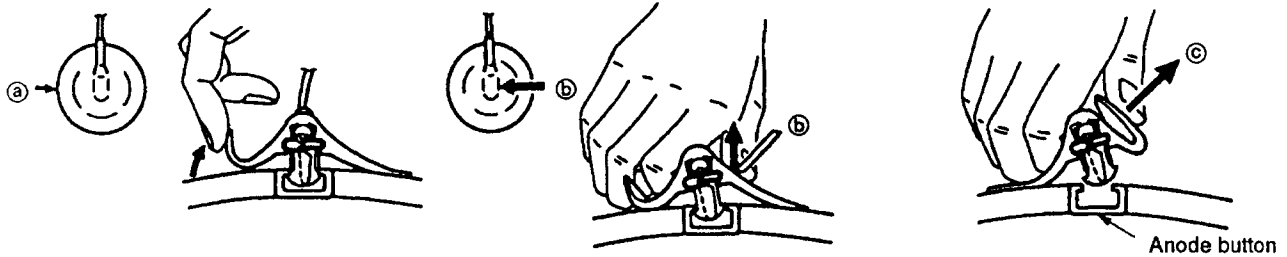
(KV-27TS36 (US/CND)/27TS32/27TS29 (US/CND) only)



• REMOVAL OF ANODE-CAP

NOTE : Short circuit the anode of the picture tube and the anode cap to the metal chassis, CRT shield or carbon painted on the CRT, after removing the anode.

• REMOVING PROCEDURES



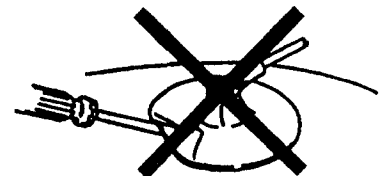
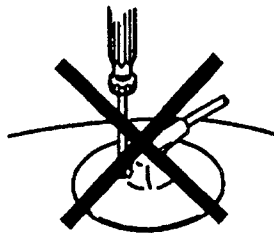
① Turn up one side of the rubber cap in the direction indicated by the arrow ①.

② Using a thumb pull up the rubber cap firmly in the direction indicated by the arrow ②.

③ When one side of the rubber cap is separated from the anode button, the anode-cap can be removed by turning up the rubber cap and pulling up it in the direction of the arrow ③.

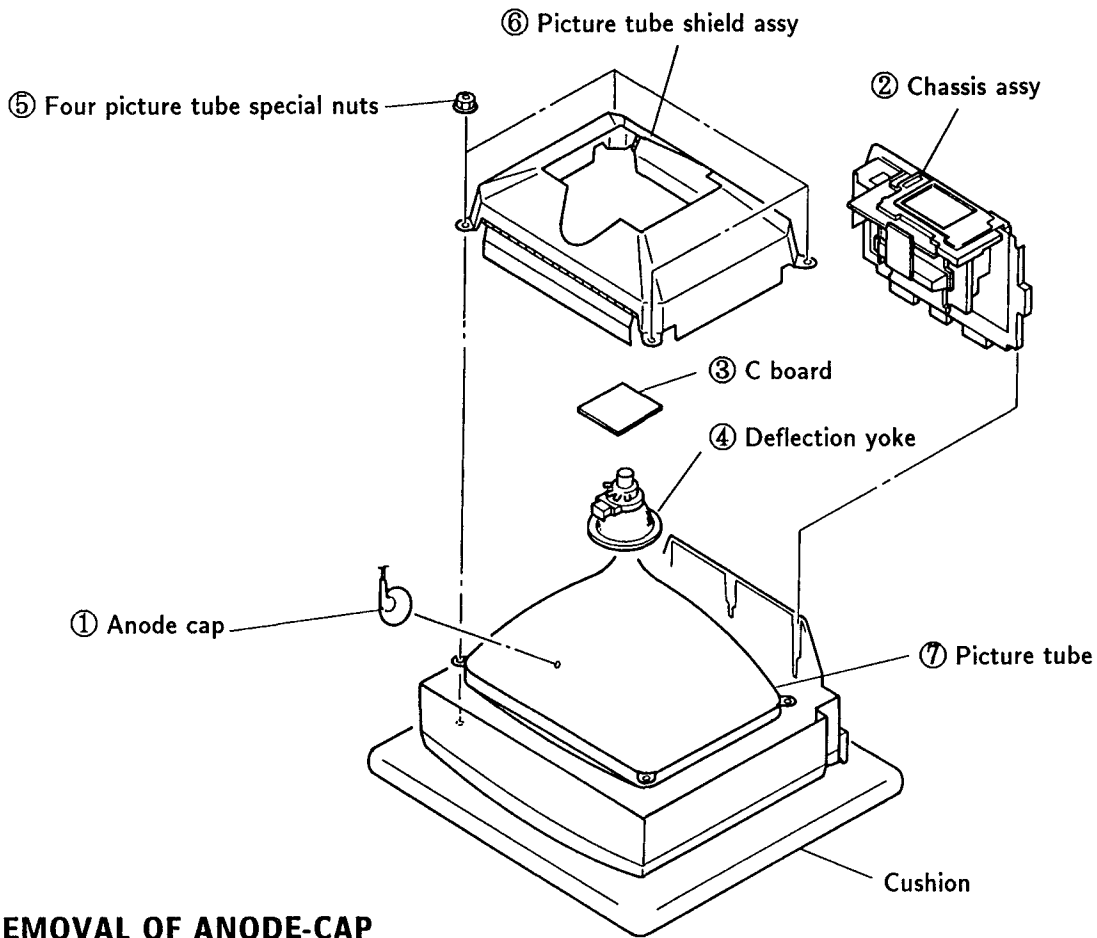
• HOW TO HANDLE AN ANODE-CAP

- ① Don't hurt the surface of anode-caps with sharp shaped material!
- ② Don't press the rubber hardly not to hurt inside of anode-caps!
A material fitting called as shatter-hook terminal is built in the rubber.
- ③ Don't turn the foot of rubber over hardly!
The shatter-hook terminal will stick out or hurt the rubber.



2-7. PICTURE TUBE REMOVAL (2)

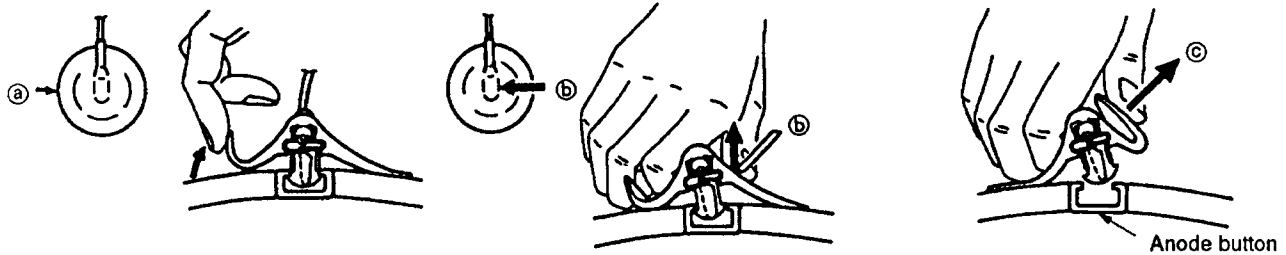
(KV-32TS46 (US/CND)/32TS36 (US/CND) only)



• REMOVAL OF ANODE-CAP

NOTE : Short circuit the anode of the picture tube and the anode cap to the metal chassis, CRT shield or carbon painted on the CRT, after removing the anode.

• REMOVING PROCEDURES



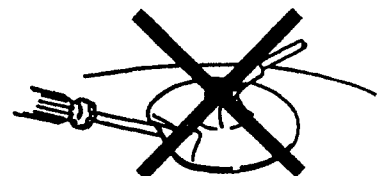
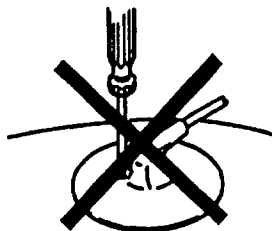
① Turn up one side of the rubber cap in the direction indicated by the arrow ②.

② Using a thumb pull up the rubber cap firmly in the direction indicated by the arrow ②.

③ When one side of the rubber cap is separated from the anode button, the anode-cap can be removed by turning up the rubber cap and pulling up it in the direction of the arrow ③.

• HOW TO HANDLE AN ANODE-CAP

- ① Don't hurt the surface of anode-caps with sharp shaped material!
- ② Don't press the rubber hardly not to hurt inside of anode-caps!
A material fitting called as shatter-hook terminal is built in the rubber.
- ③ Don't turn the foot of rubber over hardly!
The shatter-hook terminal will stick out or hurt the rubber.



2-8. REPAIR OF CHIP COMPONENT CIRCUIT BOARD

2-8-1. POINTS OF COMPONENT REMOVAL

Handing of blower type soldering iron

If hot blast is too strong or applied from a slanting direction, small components and solder near the component being removed can be blown off. Do not use blower type without temperature control.

2-8-2. NOTES ON SOLDERING FOR CHIP COMPONENTS

- 1) During soldering a chip component, if a soldering iron is applied for a long time, the heat may damage the component or cause pattern peeling.
- 2) Do not reuse a removed component. The characteristics of such a component may deteriorate.
- 3) Use wire solder containing silver (ϕ 0.3 or ϕ 0.6). (The pin electrodes of the laminated chip capacitor are silver + palladium, so if wire solder which does not contain silver is used, the silver of the pin electrode will be sucked into the solder.)

2-8-3. REMOVAL AND MOUNTING OF COMPONENTS

Chip resistor and chip capacitor

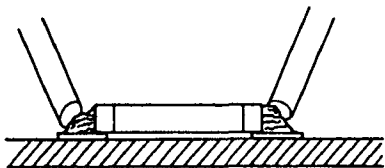
REMOVAL

- Using two soldering irons

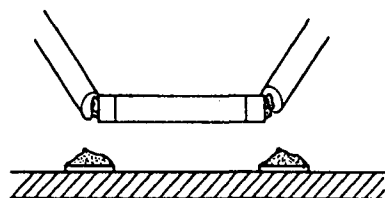
1) Mounted state



2) Melt the solder.

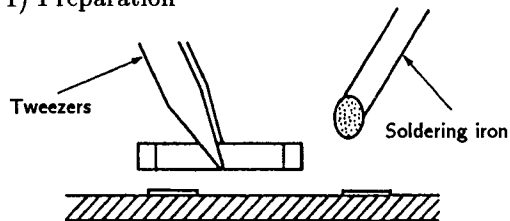


3) Remove the component.



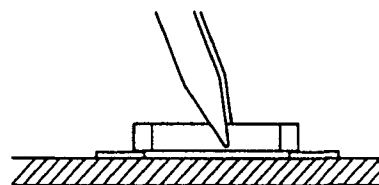
SOLDERING

1) Preparation

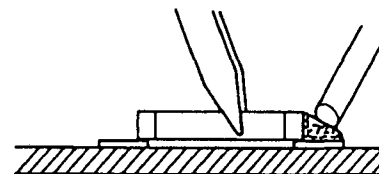


2) Location

Be careful not to misposition.

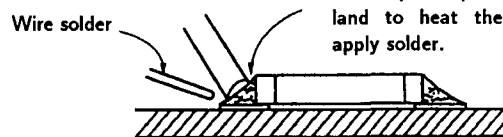


3) Tack soldering and flux application

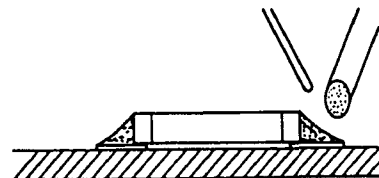


4) Soldering

Apply the soldering iron to the chip component and land to heat them and apply solder.



5) Soldering (Fix the fillet.)



6) Visual inspection

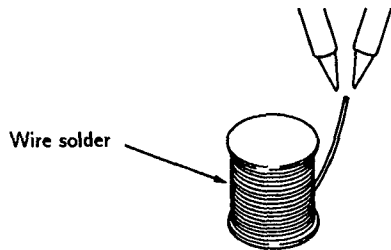
Check for the following defects :

- No-soldered part
- Bridge (to other components or lands)
- Mispositioning
- Other defects

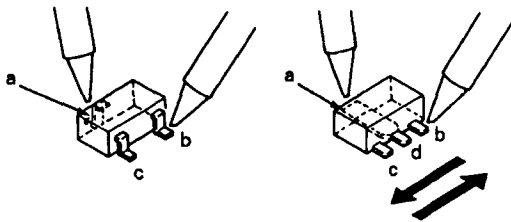
2-8-4. MINI-TRANSISTOR

REMOVAL

- Using two soldering irons
- 1) Put a little solder on the tip of two soldering irons.

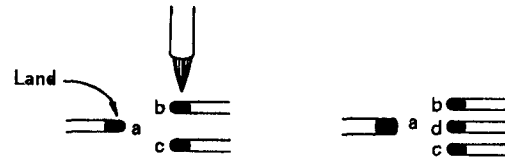


- 2) Apply the tip of one soldering iron to the point "a" and the other to the points "b" → "c" (or "b" → "d" → "c") and move the component in the directions indicated by arrows in the figure to remove it.

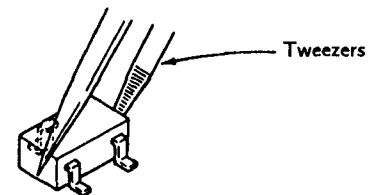


MOUNTING

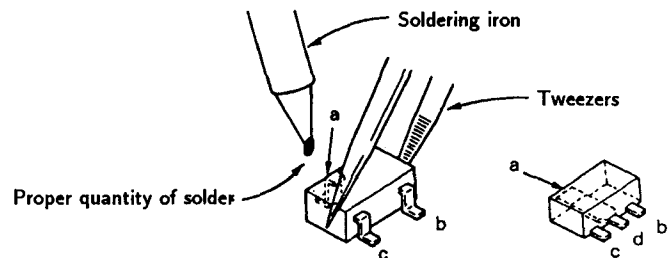
- 1) Apply a little flux to the land with a brush.



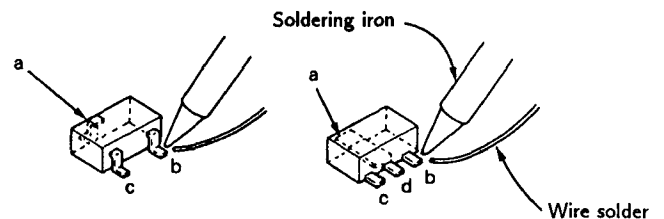
- 2) Place the component in position using tweezers.



- 3) Put a little solder on the tip of the soldering iron and solder the point "a" to fix the component.

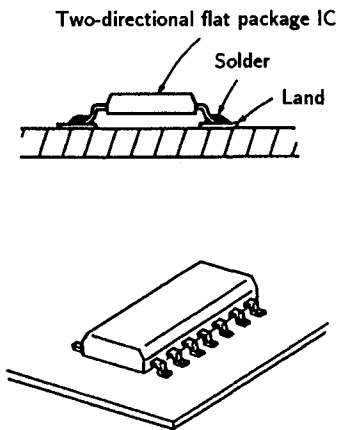


- 4) Bring the tip of the soldering iron and the wire solder close to the point to be soldered. Solder the points "b" → "c" (or "b" → "d" → "c") in order.

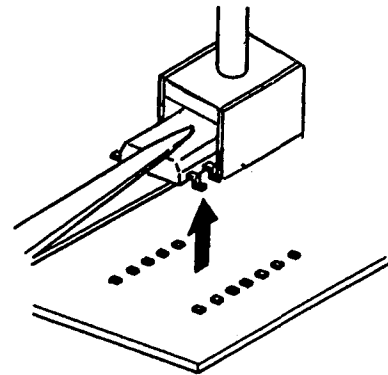


2-8-5. TWO-DIRECTIONAL FLAT PACKAGE IC

MOUNT CONDITION

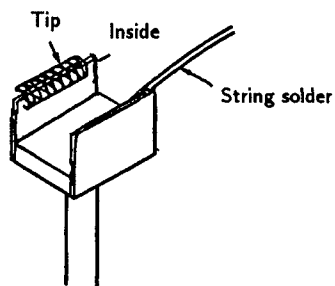


- 3) When the solder melts, lift the IC with a pair of tweezers and remove.



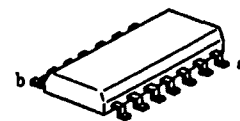
REMOVAL

- 1) Apply some solder on the inside and the tip of the iron tip jig.

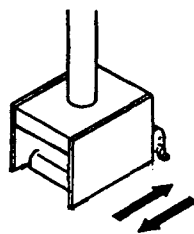


INSTALLATION

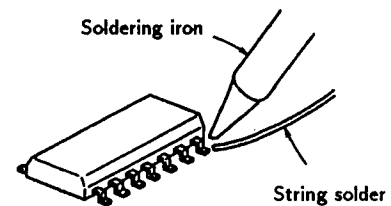
- 1) Place the two-directional flat package IC at the appointed position, solder pins a and b on the diagonal, and fasten it.



- 2) Place the iron tip jig over the IC, and move the jig to and fro as shown in the figure.

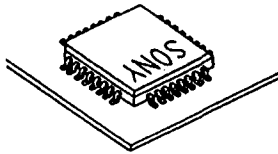
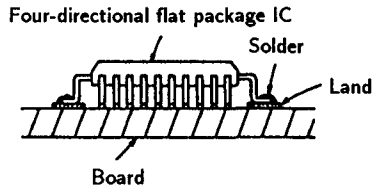


- 2) Solder the remaining pins with the soldering iron.



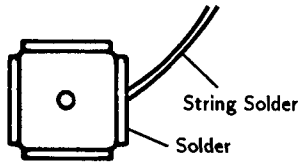
2-8-6. FOUR-DIRECTIONAL FLAT PACKAGE IC

MOUNT CONDITION

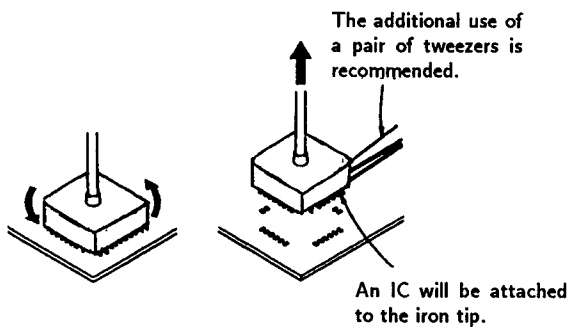


REMOVAL

- 1) Apply solder on the tip of the iron tip jig.



- 2) Place the iron tip jig over the IC, wait about two to three seconds, rotate the iron slightly and lift it up.



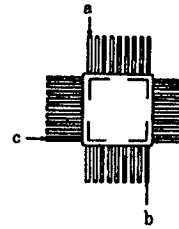
Note: For flat ICs of above 52P, the IC may not be completely attracted when the iron tip jig is lifted up. In these cases, use a pair of tweezers to remove.

INSTALLATION

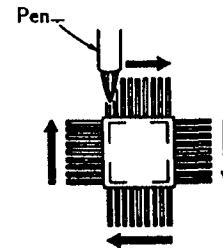
- 1) Place the four-directional flat package IC at the appointed position.



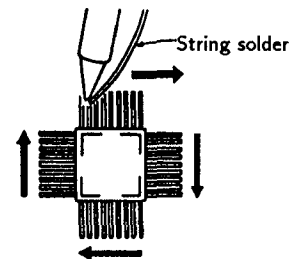
- 2) Apply a slight amount of solder on the iron tip, and solder the three sections in the order of a → b → c, and fix.



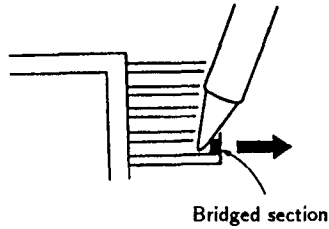
- 3) Apply a slight amount of flux with a pen on all four directions.



- 4) Apply solder on the iron tip and the string solder, and slide and solder in the directions of the arrows.



Note: 1) After soldering, if there are bridged sections, correct by sliding the soldering iron in the direction of the arrow.



Bridged section

If the bridges cannot be corrected using the above method, apply some flux with a pen and try again.

2) Soldering can be carried out more easily by sliding the iron tip near the tip of the IC leg. (Fig. A)

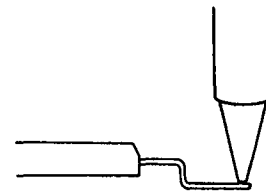


Fig. A

Be careful not to slide the bent sections of the leg as shown in Fig. B as soldering bridges will be formed.

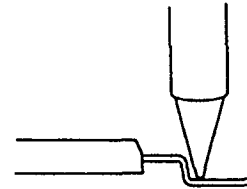


Fig. B

Exterior	Description	Part No.	Measure (mm)			
			A	B	C	D
	jig for removing 4-sided flat package IC	3-702-554-01	12.5	9.5	12.5	9.5
		" 11	15.5	12.5	15.5	12.5
		" 21	16.3	13.3	16.3	13.3
		" 31	17.0	14.0	17.0	14.0
		" 41	23.0	20.0	17.0	14.0
		" 51	20.0	17.0	20.0	17.0
	jig for removing 2-sided flat package IC	3-702-555-01	6.0	5.0	/	
		" 11	6.0	10.0		
		" 21	7.0	12.5		
		" 31	9.0	15.2		
		" 41	9.0	18.0		
	soldering iron	3-702-552-01	55W 60g length 210mm			
	soldering holder	3-702-553-01	/			

SECTION 3 SET-UP ADJUSTMENTS

- The following adjustments should be made when a complete realignment is required or a new picture tube is installed.
- These adjustments should be performed with rated power supply voltage unless otherwise noted.

Perform the adjustments in order as follows :

1. Beam Landing
2. Convergence
3. Focus
4. White Balance

Controls and switch should be set as follows unless otherwise noted :

PICTURE control RESET
 BRIGHTNESS control center

Note : Test Equipment Required.

1. Color-bar/Pattern Generator
2. Degausser
3. Oscilloscope

Preparations :

- In order to reduce the influence of geomagnetism on the set's picture tube face it east or west.
- Switch on the set's power and degauss with the degausser.

3-1. BEAM LANDING

1. Input the white signal with the pattern generator.
 Contrast } normal
 Brightness }
2. Set the pattern generator raster signal to green.
3. Move the deflection yoke to the rear and adjust with the purity control so that the green is at the center and the blue and the red take up equally sized areas on each side.
 (See Figures 3-1 through 3-3.)
4. Move the deflection yoke forward and adjust so that entire screen is green. (See Figure 3-1.)
5. Switch the raster signal to blue, then to red and verify the condition.
6. When the position of the deflection yoke has been decided, fasten the deflection yoke with the screws.
7. If the beam does not land correctly in all the corners, use a magnet to adjust it.
 (See Figure 3-4.)

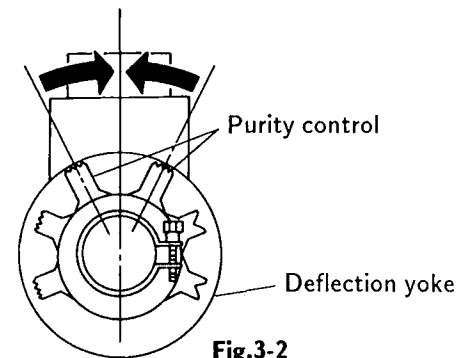


Fig.3-2

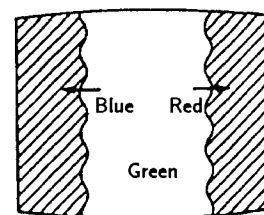


Fig.3-3

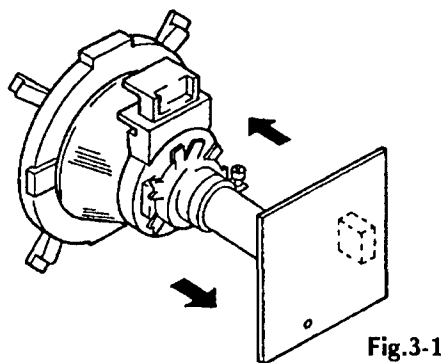


Fig.3-1

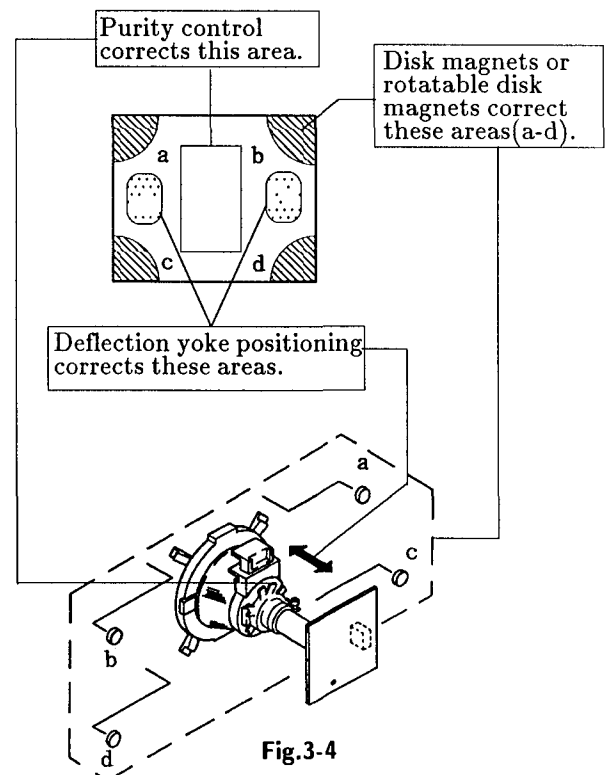


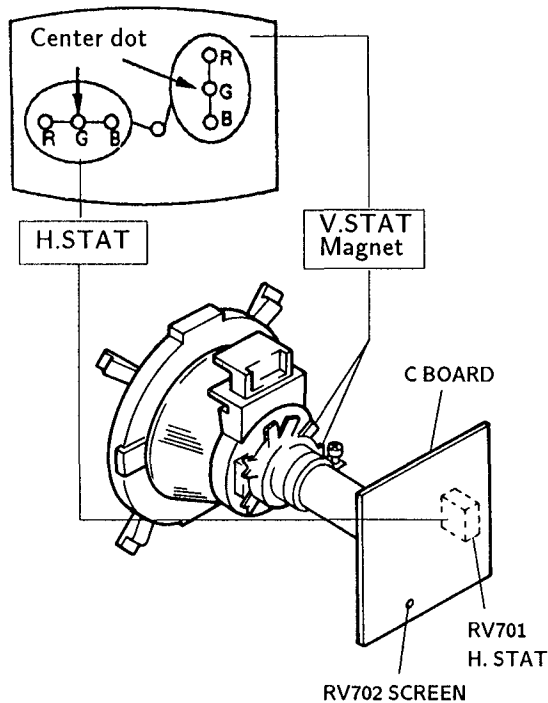
Fig.3-4

3-2. CONVERGENCE

Preparation :

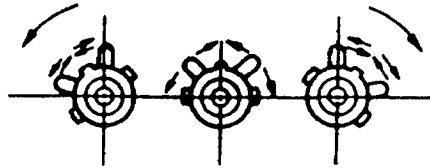
- Before starting this adjustment, adjust the focus, horizontal size, and vertical size.
- Minimize the brightness setting.
- Provide dot pattern.

(1) Horizontal and Vertical Static Convergence

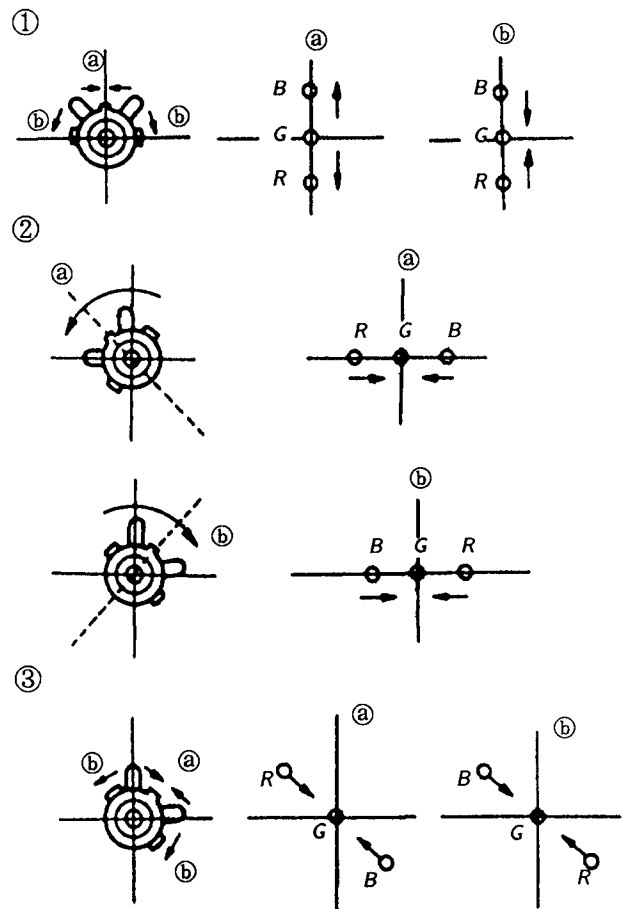


1. (Moving horizontally), adjust the H.STAT control so that the red, green, and blue points are on top of each other at the center of the screen.
2. (Moving vertically), adjust the V.STAT magnet so that the red, green, and blue points are on top of each other at the center of the screen.
3. If the H.STAT variable resistor cannot bring the red, green, and blue points together at the center of the screen, adjust the horizontal convergence with the H.STAT variable resistor and the V.STAT magnet in the manner given below.
(In this case, the H.STAT variable resistor and the V.STAT magnet influence each other)

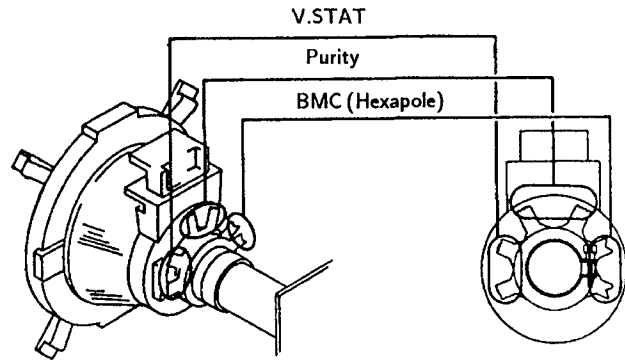
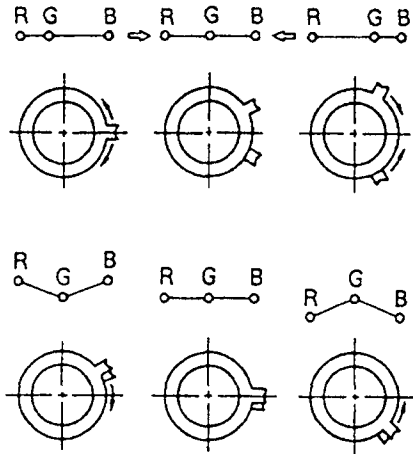
- Tilt the V.STAT magnet and adjust the static convergence by opening or closing the V.STAT magnet.



4. If the V.STAT magnet is moved in the direction of the (a) and (b) arrows, the red, green, and blue points move as shown below.



• Operation of BMC (Hexapole) Magnet



- The respective dot positions resulting from moving each magnet interact, so be sure to perform adjustment while tracking. Use the H.STAT VR to adjust the red, green, and blue dots so they coincide at the center of screen (by moving the dots in the horizontal direction).

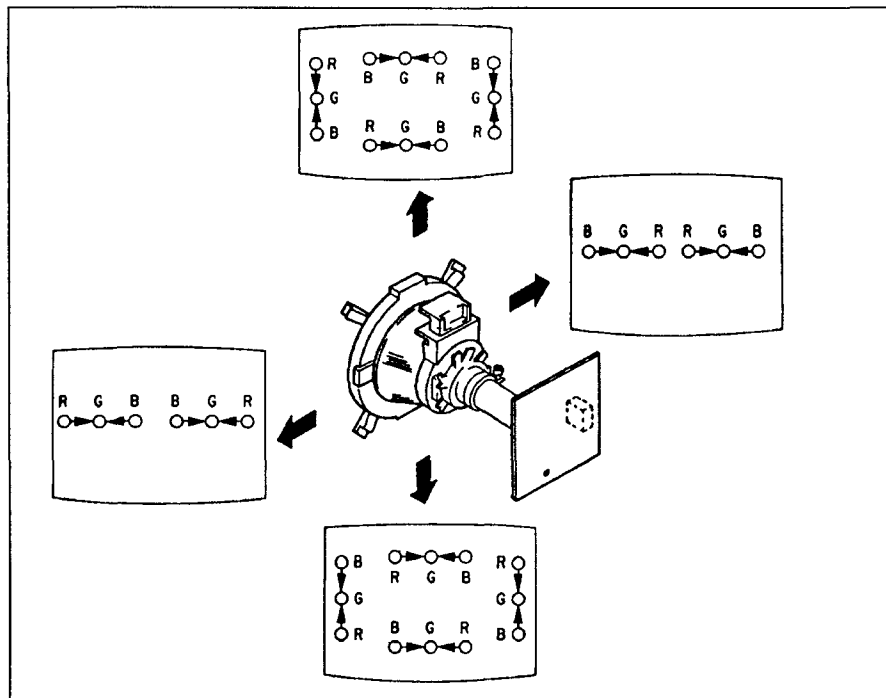
• Y separation axis correction magnet adjustment

1. Receive the cross-hatch signal, and adjust [PIX] to "MIN" and [BRT] to "standard".
2. Adjust the deflection yoke to the upright condition when it hits the CRT.
3. Adjust so that the Y separation axis correction magnet on the neck assembly is symmetrical at the top and bottom (open state).
4. Return the deflection yoke to its original position.

(2) Dynamic Convergence Adjustment

Preparations :

- Before starting this adjustment, adjust the horizontal static convergence and the vertical static convergence.
1. Slightly loosen the deflection yoke screws.
 2. Remove the deflection yoke spacer.
 3. Move the deflection yoke as shown in the figure below and optimize the convergence.
 4. Tighten the deflection yoke screws.
 5. Install the deflection yoke spacer.

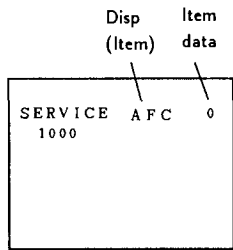


(3) Dynamic Convergence Circuit Adjustment
(32 inch only)

SERVICE MODE PROCEDURE

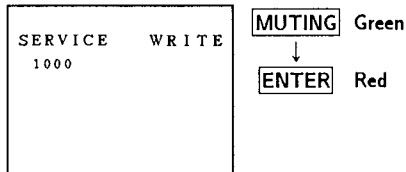
- Standby mode.(Power off)
- DISPLAY** → **5** → **VOL (+)** → **POWER** on the Remote Commander. (Press each button within a second.)

SERVICE ADJUSTMENT MODE IN

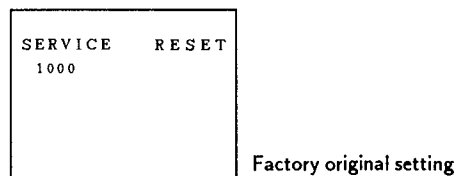


- The CRT displays the item Being adjusted.
- Press **1** or **4** on the Remote Commander to select the item.
- Press **3** or **6** on the Remote Commander to change the data.
- Press **MUTING** then **ENTER** to write into memory.

SERVICE ADJUSTMENT MODE MEMORY



- Press **8** then **ENTER** on the Remote Commander to initialize.



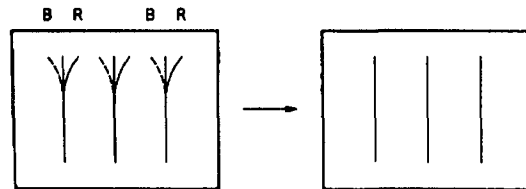
- Turn set off and on to exit.

- Set to Service Mode.
- Input a cross-hatch signal.
- Press **1** and **4** select an item of adjustments.
- Adjust **3** and **6** to the best picture.

No.	Disp.	Item	Ave.Data
39	UYBO	Upper Y-Bow	31
40	LYBO	Lower Y-Bow	25
41	HAMP	H. Amp	33
42	HTIL	H. Tilt	33
43	UCBO	Upper C-Bow	38
44	UTIL	Upper Tilt	40
45	LCBO	Lower C-Bow	41
46	LTIL	Lower Tilt	46
47	DCSH	DC Shift	37

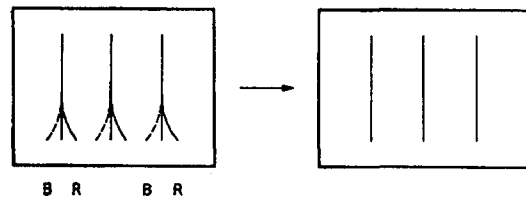
U. YBOW

Select UYBO with **1** and **4**



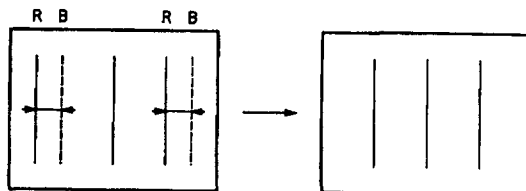
L. YBOW

Select LYBO with **1** and **4**



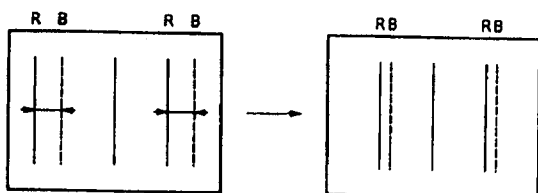
H. AMP

Select HAMP with **1** and **4**

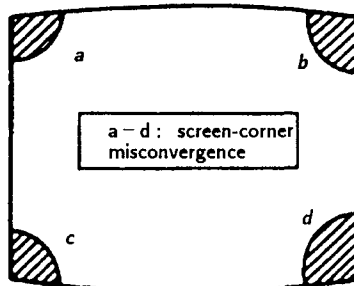


H. TILT

Select HTILT with 1 and 4

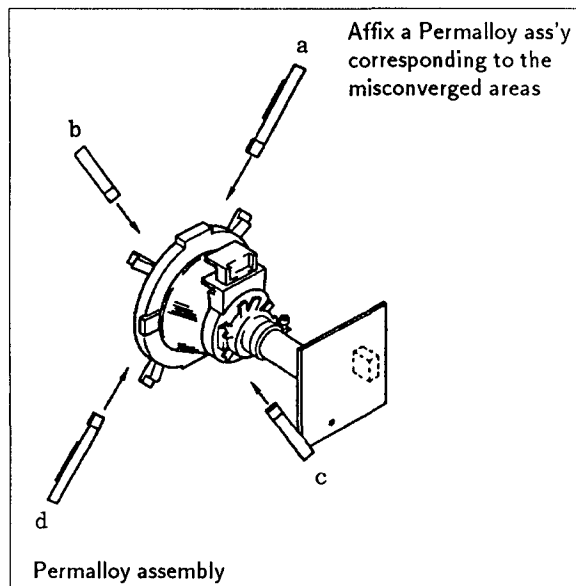
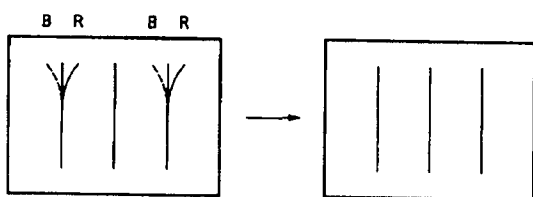


(4) Screen-corner Convergence



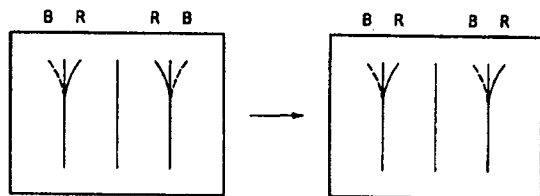
U. CBOW

Select UCBO with 1 and 4



U. TILT

Select UTIL with 1 and 4

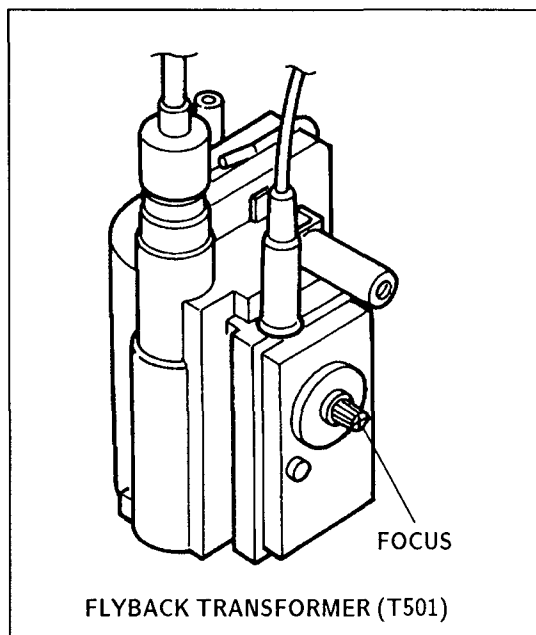
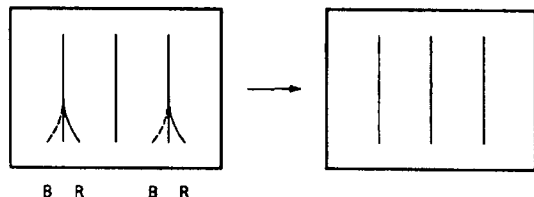


3-3. FOCUS ADJUSTMENT

Adjust FOCUS control on the flyback transformer for a best focus.

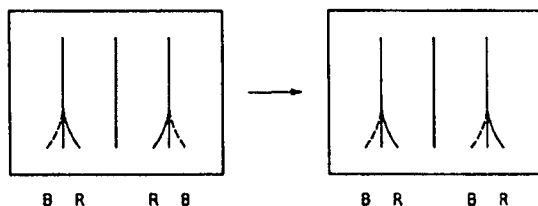
L. CBOW

Select LCBO with 1 and 4



L. TILT

Select L. TIL with 1 and 4



3-4. G2 (SCREEN) AND WHITE BALANCE ADJUSTMENTS

1. G 2 (SCREEN) ADJUSTMENT(RV 702)

1. Set the PICTURE and BRIGHTNESS to normal.
2. Confirm G 1 voltage is within 30.0 ± 5 V.
3. Apply DC voltage of 180 V to the cathodes of R,G and B from DC stabilized power source.
4. While watching the picture, adjust the G2 control (RV 702) to the just the retrace line disappears.

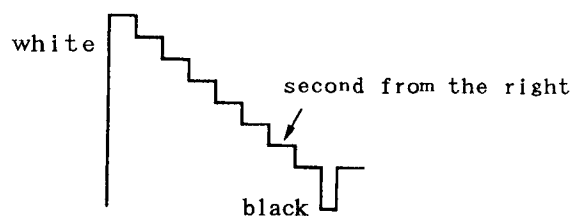
2. WHITE BALANCE ADJUSTMENTS

No.	Disp.	Item	Ave. Data
14	GAMP	Green Amp	20
15	BAMP	Blue Amp	17
16	GCUT	Green Cut-off	7
17	BCUT	Blue Cut-off	8
22	SBRT	Sub Bright	35

1. Input an entire white signal.
2. Set to service adjustment mode.
3. Set the PICTURE and BRIGHT to minimum.
4. Adjust with SBRT if necessary.
5. Select G CUT and B CUT with **[1]** and **[4]**.
6. Adjust with **[3]** and **[6]** for the best white balance.
7. Set the PICTURE and BRIGHT to maximum.
8. Select GAMP and BAMP with **[1]** and **[4]**.
9. Adjust with **[3]** and **[6]** for the best white balance.
10. Write into the memory by pressing **[MUTING]** then **[ENTER]**.

3. SUB BRIGHT ADJUSTMENT

1. Set to service mode.
2. Input a staircase signal of black and white from the pattern generator.
3. BRIGHTNESS ... RESET
 PICTURE minimum
4. Select SBRT with **[1]** and **[4]** , and adjust SUB BRIGHT level with **[3]** and **[6]** so that the stripe second from the right is dimly lit.



SECTION 4 SAFETY RELATED ADJUSTMENTS

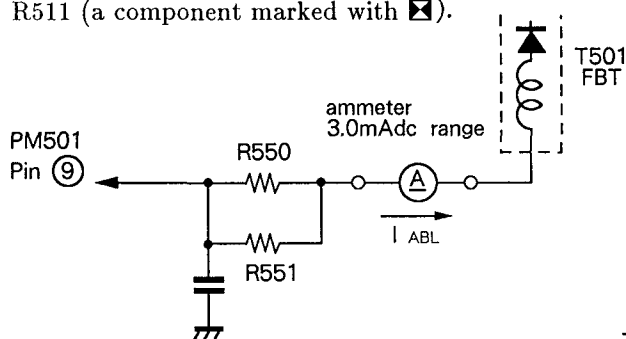
☒ R511 CONFIRMATION METHOD (HOLD-DOWN CONFIRMATION) AND READJUSTMENTS

The following adjustments should always be performed when replacing the following components (marked with ☒ on the schematic diagram).
 PM501, R338, R511, R632, R645, R650

- ①
1. Preparation before confirmation
 - 1) Remove R635 on the D board and connect a variable resistor (RV1: about 22k Ω) between pin ① of IC601 and B+ line.
 - 2) Supply 130 \pm 2.0V AC to with variable auto-transformer.
 2. Hold-down operation confirmation
 - 1) Turn the POWER switch ON, and receive entirely white signals and adjust ABL current to 1760 \pm 50 μ A with PICTURE and BRIGHT etc controls.
 - 2) Increase B+ line voltage gradually by adjusting the resistor of RV1. Confirm that the minimum voltage is less than 142.5V DC (27 inch) 140.0V DC (32 inch) whereby the raster disappears during operation of hold-down circuit.
NOTE: When the hold-down circuit starts operating, switch OFF the POWER of the set immediately.
 - 3) Turn the POWER switch ON, and receive dot signals and adjust ABL current to 160 \pm 50 μ A with PICTURE and BRIGHT etc controls.
 - 4) Increase B+ line voltage gradually by adjusting the resistor of RV1. Confirm that the minimum voltage is less than 145.0V DC (27 inch), 143.5V DC (32 inch) whereby the raster disappears during operation of hold-down circuit.
NOTE: When the hold-down circuit starts operating, switch OFF the POWER of the set immediately.

3. Hold-down readjustment

When step 2 is not satisfied, readjustment should be performed by altering the resistance value of R511 (a component marked with ☒).



☒ R524 CONFIRMATION METHOD (HOLD-DOWN CONFIRMATION) AND READJUSTMENTS

The following adjustments should always be performed when replacing the following components (marked with ☒ on the schematic diagram).
 IC601, PM501, D504, C598, R338, R509, R524, R632, R635, R645, T501

- ②
1. Preparation before confirmation
 - 1) Turn the POWER switch ON, and receive entirely white signals and set the PICTURE and BRIGHT controls to maximum.
 - 2) Confirm that voltage of the check terminal of TP-85 (D BOARD) is more than 114.0V DC (27 inch) 122.3V DC (32inch) when the set is operating normally with 120.0 \pm 2.0V AC supply.
 2. Hold-down operation confirmation
 - 1) Turn the POWER switch ON, and receive entirely white signals and adjust ABL current to 1760 \pm 50 μ A with PICTURE and BRIGHT etc controls .
 - 2) Apply DC voltage of over 130.0V DC gradually to the check terminal of TP-85 (D BOARD) via 1T40 from the DC stabilized power source. Confirm that the minimum voltage is less than 137.5V DC (27inch) 143.5V DC (32inch) whereby the raster disappears during operation of hold-down circuit.
NOTE: When the hold-down circuit starts operating, switch OFF the POWER of the set immediately.
 - 3) Turn the POWER switch ON, and receive dot signals and adjust ABL current to 160 \pm 50 μ A with PICTURE and BRIGHT etc controls .
 - 4) Apply DC voltage of over 130.0V gradually to the check terminal of TP-85 (D BOARD) via 1 T40 from the DC stabilized power source. Confirm that the minimum voltage is less than 138.0V DC (27inch) 144.1V DC (32inch) whereby the raster disappears during operation of hold-down circuit.
NOTE: When the hold-down circuit starts operating, switch OFF the POWER of the set immediately.

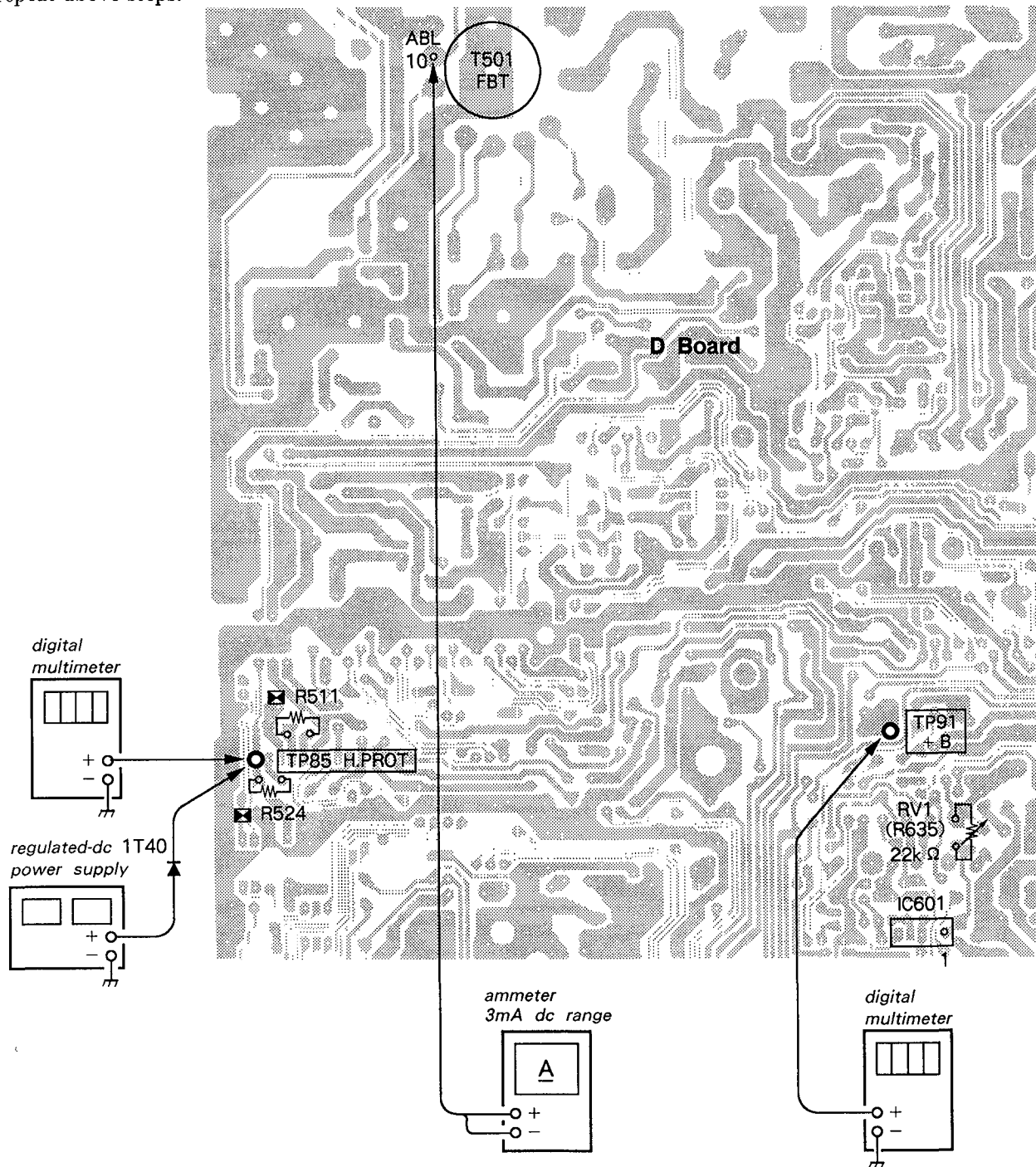
3. Hold-down readjustment

When step 2 is not satisfied, readjustment should be performed by altering the resistance value of R524 (a component marked with ☒).

B+ VOLTAGE CONFIRMATION

The following adjustments should always be performed when replacing IC601 and R635.

- 1) Supply $130 \pm 2\%$ V AC to with variable autotransformer.
- 2) Receive entirely monoscope signal.
- 3) Set the PICTURE control and the BRIGHT controls in to initial reset.
- 4) Confirm the voltage of TP91 is less than 137.0V DC.
- 5) If step 4) is not satisfied, replace IC601 and R635 repeat above steps.



SECTION 5 CIRCUIT ADJUSTMENTS

KV-27TS29/27TS32/27TS36
RM-Y116 RM-Y117 RM-Y118
KV-32TS36/32TS46
RM-Y118 RM-Y118
SA-W200

5-1. ELECTRICAL ADJUSTMENT BY REMOTE COMMANDER

Use of Remote Commander can be performed circuit adjustments about this model.

NOTE : Test Equipment Required.

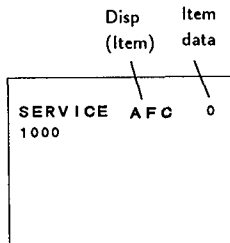
1. Pattern Generator
2. Frequency counter
3. Digital multimeter
4. Audio OSC

1. METHOD OF SETTING THE SERVICE ADJUSTMENT MODE

SERVICE MODE PROCEDURE

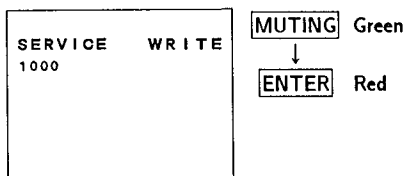
1. Standby mode.(Power off)
2. **DISPLAY** → **5** → **VOL (+)** → **POWER** on the Remote Commander. (Press each button within a second.)

SERVICE ADJUSTMENT MODE IN

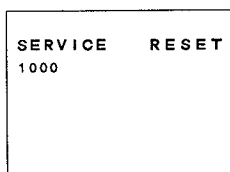


3. The CRT displays the item Being adjusted.
4. Press **1** or **4** on the Remote Commander to select the item.
5. Press **3** or **6** on the Remote Commander to change the data.
6. Press **MUTING** then **ENTER** to write into memory.

SERVICE ADJUSTMENT MODE MEMORY



7. Press **8** then **ENTER** on the Remote Commander to initialize.



Carry out step 7) when adjusting IDs 0 to 4 and when replacing and adjusting IC102.

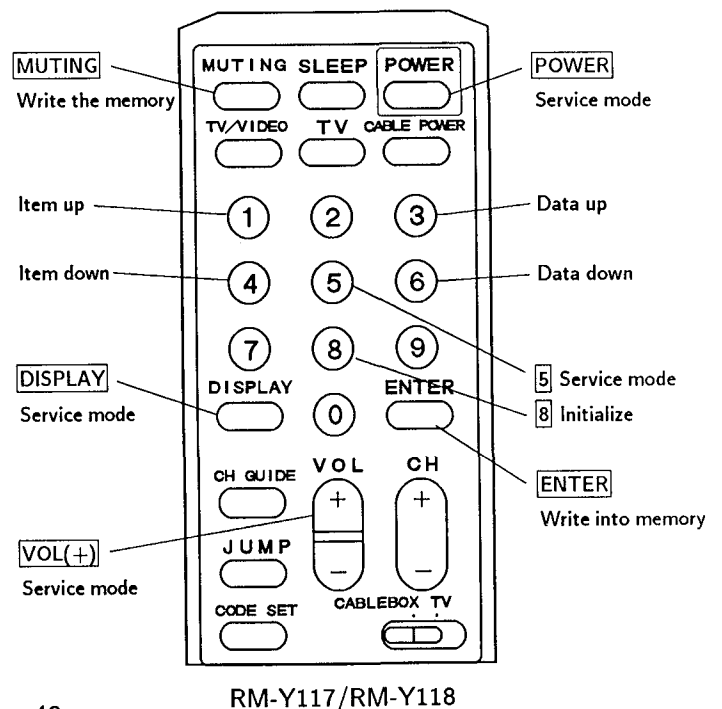
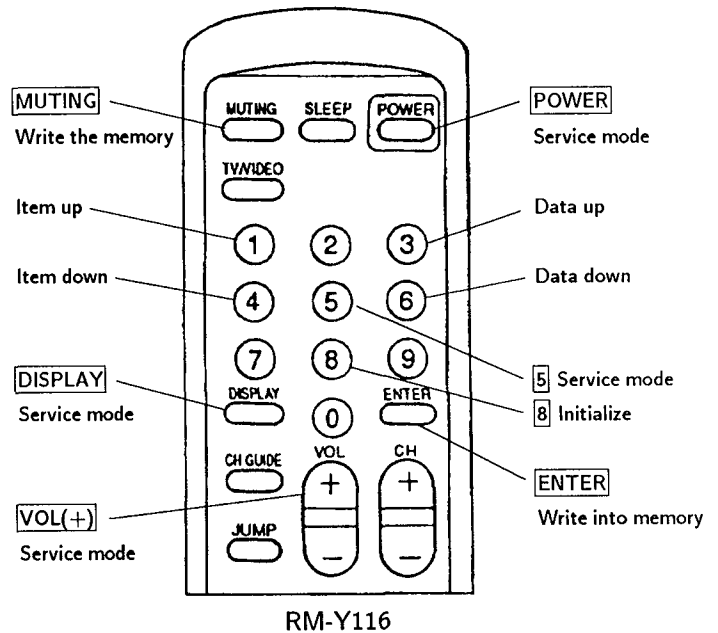
Factory original setting

8. Turn set off and on to exit.

2. MEMORY WRITE CONFIRMATION METHOD

1. After adjustment, pull out the plug from AC outlet, and next place, plug in AC outlet again.
2. Turn the power switch ON and set to Service Mode.
3. Call the adjusted items again, confirm they were adjusted.

3. ADJUST BUTTONS AND INDICATOR



4. AN ITEM OF ADJUSTMENTS

No.	Disp.	Item	Data range	Ave. data (27 inch)	Ave. data (32 inch)
1	AFC	AFC Loop Gain	0~3	* 0	* 0
2	HFRE	H. Frequency	0~127	70	70
3	VFRE	V. Frequency	0~31	16	16
4	VPOS	V. Center	0~31	17	17
5	VSIZ	V. Size	0~63	28	12
6	VLIN	V. Linearity	0~15	8	7
7	VSCO	V. Correction	0~15	6	6
8	HPOS	H. Center	0~15	6	5
9	HSIZ	H. Size	0~31	31	27
10	PAMP	Pin Amp	0~31	24	31
11	CPIN	Corner Pin	0~7	3	0
12	PPHA	Pin Phase	0~15	6	4
13	VCOM	V. Compensation	0~7	* 2	* 2
14	GAMP	Green Amp	0~31	20	20
15	BAMP	Blue Amp	0~31	17	17
16	GCUT	Green Cut Off	0~15	7	7
17	BCUT	Blue Cut Off	0~15	8	8
18	CROM	Chroma Trap	0~63	* 28	* 28
19	SPIX	Sub Contrast	0~63	20	20
20	SHUE	Sub Hue	0~63	33	33
21	SCOL	Sub Color	0~63	32	32
22	SBRT	Sub Bright	0~63	35	35
23	RGBP	RGB Picture	0~63	* 10	* 10
24	SHAP	Sharpness	0~15	* 7	* 7
25	VSMO	V Pull in Range	0, 1	* 0	* 0
26	REF	Reference line	0~3	* 2	* 2
27	ROFF	Red Out	0, 1	1	1
28	GOFF	Green Out	0, 1	1	1
29	BOFF	Blue Out	0, 1	1	1
30	ABLM	ABL Mode	0, 1	* 0	* 0
31	NOTC	Notch On/Off	0, 1	* 1	* 1
32	DRGB	OSD intensity	0, 1	* 0	* 0
33	VANG	V. Angle	0~63	0	0
34	DISP	Display Position	0~63	40	40
35	SVOL	Sub Volume	0~15	* 0	* 0
36	SBAL	Sub Balance	0~15	7	7
37	BASS	Sub Bass	0~15	* 8	* 8
38	TRE	Sub Treble	0~15	* 7	* 7
39	UYBO	Upper Y. Bow	0~63	—	31
40	LYBO	Lower Y. Bow	0~63	—	25
41	HAMP	H. Amp	0~63	—	33
42	HTIL	H. Tilt	0~63	—	33
43	UCBO	Upper C. Bow	0~63	—	38
44	UTIL	Upper Tilt	0~63	—	40
45	LCBO	Lower C. Bow	0~63	—	41
46	LTIL	Lower Tilt	0~63	—	46
47	DCSH	DC. Shift	0~63	—	37
48	PHPO	PinP H Position	0~127	76	76
49	PHUE	PinP Hue	0~31	* 0	* 0
50	ID-0	Model ID	0~127	by Model	by Model
51	ID-1	Model ID	0~127	by Model	by Model
52	ID-2	Model ID	0~127	by Model	by Model
	ID-2	Model ID	0~127	by Model	by Model
	ID-2	Model ID	0~127	by Model	by Model
53	ID-3	Model ID	0~127	by Model	by Model
54	ID-4	Model ID	0~127	by Model	by Model

*: Set-up value

Note : No. from 1 to 54 is to show adjustment order

SERVICE	ID 0	64
1000	1000	000

Please adjust the function values as shown below when IC 102 on M board was replaced.

KV-27TS29 (US)

No.	Disp.	Disp.	Data
50	ID-0	1 0 0 0 0 0 0	64
51	ID-1	1 1 1 1 1 1 1	127
52	ID-2	1 0 0 0 0 0 0	64
53	ID-3	0 0 0 0 0 0 0	0
54	ID-4	0 0 1 0 0 0 0	16

KV-27TS29 (CND)

No.	Disp.	Disp.	Data
50	ID-0	1 0 0 0 0 0 0	64
51	ID-1	1 1 1 1 1 1 1	127
52	ID-2	0 0 0 0 0 0 0	0
53	ID-3	0 0 0 0 0 0 0	0
54	ID-4	0 0 1 0 0 0 0	16

KV-27TS32 (US)

No.	Disp.	Disp.	Data
50	ID-0	1 1 1 1 0 0 0	120
51	ID-1	1 1 1 1 1 1 1	127
52	ID-2	1 1 0 1 0 0 0	104
53	ID-3	0 0 0 0 0 0 0	0
54	ID-4	0 0 1 0 0 0 0	16

KV-27TS36/32TS36 (US)

No	Disp.	Disp.	Data
50	ID-0	1 1 1 1 0 0 0	120
51	ID-1	1 1 1 1 1 1 1	127
52	ID-2	1 0 0 1 0 0 0	72
53	ID-3	1 0 0 0 0 0 0	64
54	ID-4	0 0 1 0 0 0 0	16

KV-27TS36/32TS36 (CND)

No.	Disp.	Disp.	Data
50	ID-0	1 1 1 1 0 0 0	120
51	ID-1	1 1 1 1 1 1 1	127
52	ID-2	0 0 0 1 0 0 0	8
53	ID-3	1 0 0 0 0 0 0	64
54	ID-4	0 0 1 0 0 0 0	16

KV-32TS46 (US)

No.	Disp.	Disp.	Data
50	ID-0	1 1 1 1 0 0 0	120
51	ID-1	1 1 1 1 1 1 1	127
52	ID-2	1 0 0 1 0 0 0	72
53	ID-3	0 1 0 0 1 0 0	36
54	ID-4	0 0 1 0 0 0 0	16

KV-32TS46 (CND)

No.	Disp.	Disp.	Data
50	ID-0	1 1 1 1 0 0 0	120
51	ID-1	1 1 1 1 1 1 1	127
52	ID-2	0 0 0 1 0 0 0	8
53	ID-3	0 1 0 0 1 0 0	36
54	ID-4	0 0 1 0 0 0 0	16

5-2. M BOARD ADJUSTMENTS

H.FREQUENCY ADJUSTMENT (HFRE)

1. Input a color-bar signal.
2. Set to Service adjustment Mode.
3. Connect a frequency counter to CN131 Pin⑬ (H. DRIVE) connector and ground.
4. Call the item of AFC, set to 3 level (free run).
5. Select HFRE with **[1]** and **[4]**.
6. Adjust with **[3]** and **[6]** for the $15734 \pm 60\text{Hz}$.
7. Call the item of AFC again, adjust the level "0".
8. Write into the memory by pressing **[MUTING]** then **[ENTER]**.

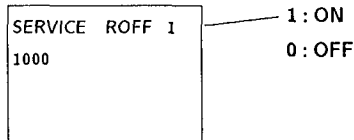
V.FREQUENCY ADJUSTMENT (VFRE)

1. Select video 1 with no connecting the signal.
2. Set to Service adjustment Mode.
3. Connect the frequency counter across connector CN131 Pin⑦ (V. DRIVE) connector and ground.
4. Select VFRE with **[1]** and **[4]**.
5. Adjust with **[3]** and **[6]** for the $55 \pm 0.5\text{Hz}$.
6. Write the memory by pressing **[MUTING]** then **[ENTER]**.

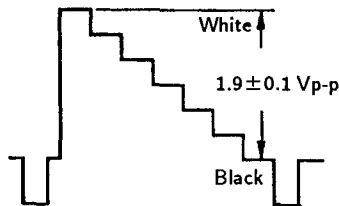
SUB CONTRAST ADJUSTMENT (SPIX)

1. Input a color-bar signal.
2. Set to Service adjustment Mode.
3. Set the conditions as follows.

PICTURE MAX
 COLOR MIN
 BRIGHT CENTER
 R OFF ON (1)
 G OFF OFF (0)
 B OFF OFF (0)



4. Connect an oscilloscope to CN703 Pin① (R OUT) of C board and ground.
5. Select SPIX with **1** and **4**.
6. Adjust with **3** and **6** for the 1.9 ± 0.1 Vp-p.

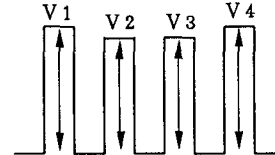


7. Write the memory by pressing **MUTING** then **ENTER**.
8. Return the following back to normal after adjustment.

PICTURE MAX
 BRIGHT CENTER
 COLOR CENTER
 R OFF ON
 G OFF ON
 B OFF ON

SUB HUE, SUB COLOR ADJUSTMENT (SHUE, SCOL)

1. Input a color-bar signal.
2. Set to service adjustment mode.
3. Connect an oscilloscope to CN703 Pin③ (B OUT) of C board.
4. Select SHUE and SCOL with **1** and **4**.
5. Adjust with **3** and **6** for the $V1=V4$ (SCOR) and $V2=V3$ (SHUE).



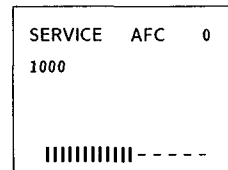
6. Increase the data of SCOL by 5 steps.
7. Write into the memory by pressing **MUTING** then **ENTER**.

SUB BARANCE ADJUSTMENT (SBAL)

1. Input a stereo signal.
2. Set to service adjustment mode.
3. Select SBAL with **1** and **4**.
4. Adjust with **3** and **6** for the best sound balance
5. Write into the memory by pressing **MUTING** then **ENTER**.

DISPLAY POSITION ADJUSTMENT (DISP)

1. Input a color-bar signal.
2. Set to service adjustment Mode.
3. Select DISP with **1** and **4**.
4. Adjust with **3** and **6** for the bar center.
5. Write the memory by pressing **MUTING** then **ENTER**.



H.CENTER ADJUSTMENT (H POS)

Note: Perform this adjustment after H.FREQUENCY ADJUSTMENT (HFRE) .

1. Input a cross-hatch signal.
2. Set the Service adjustment mode.
3. Select HPOS with **1** and **4** .
4. Adjust with **3** and **6** to the best horizontal center.
5. Write into the memory by pressing **MUTING** then **ENTER** .

H. CENTER (HPOS)



H.SIZE ADJUSTMENT (HSIZ)

1. Input a cross-hatch signal.
2. Set to service adjustment Mode.
3. Select HSIZ with **1** and **4** .
4. Adjust with **3** and **6** for best horizontal size.
5. Write into the memory by pressing **MUTING** then **ENTER** .

H. SIZE (HSIZ)



V.CENTER ADJUSTMENT (VPOS)

1. Input a cross-hatch signal.
2. Set to service adjustment Mode.
3. Select VPOS with **1** and **4** .
4. Adjust with **3** and **6** for the best vertical center.
5. Write into the memory by pressing **MUTING** then **ENTER** .

V. CENTER (VPOS)



V.SIZE ADJUSTMENT (VSIZ)

1. Input a cross-hatch signal.
2. Set to service adjustment Mode.
3. Select VSIZ with **1** and **4** .
4. Adjust with **3** and **6** for the best vertical size.
5. Write into the memory by pressing **MUTING** then **ENTER** .

V. SIZE (VSIZ)



V LINEARITY(VLIN), VS CORRECTION(VSCO), PIN AMP(PAMP), CORNER PIN(CPIN), AND PIN PHASE(PPHA) ADJUSTMENTS

1. Input a cross-hatch signal.
2. Set to Service adjustment Mode.
3. Select VLIN, VSCO, PAMP, CPIN, and PPHA with **1** and **4** .
4. Adjust with **3** and **6** for the best picture.
5. Write the memory by Pressing **MUTING** then **ENTER** .

V LINEARITY (VLIN)



VS CORRECTION (VSCO)



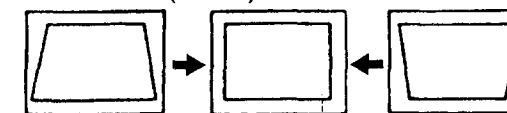
PIN AMP (PAMP)



CORNER PIN (CPIN)

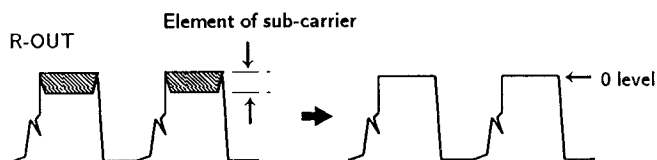


PIN PHASE (PPHA)



CROMA TRAP ADJUSTMENT (CROM)

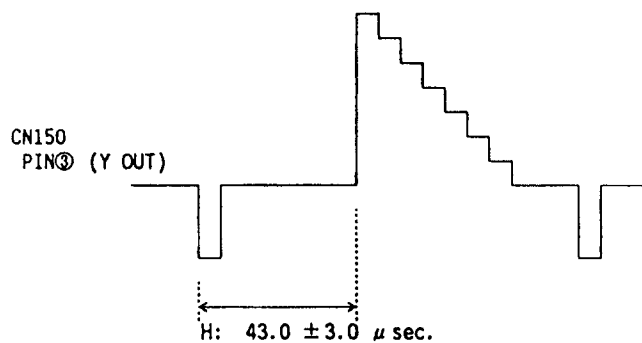
1. Input a red signal
2. Set to Service adjustment Mode.
3. Connect an oscilloscope CN703 Pin① (R OUT) of C board ground.
4. Select CROM with **1** and **4**.
5. Adjust with **3** and **6** for the 0 level.



6. Write the memory by pressing **MUTING** then **ENTER**.

5-3. P BOARD ADJUSTMENTS**P IN P H. POSITION (PHPO)**

1. Input a color-bar signal
2. Set to Service adjustment Mode.
3. Connect an oscilloscope CN150 Pin③ (Y OUT).
4. Select PHPO with **1** and **4**.
5. Adjust with **3** and **6** for the $43.0 \pm 3.0 \mu\text{sec}$ (H).

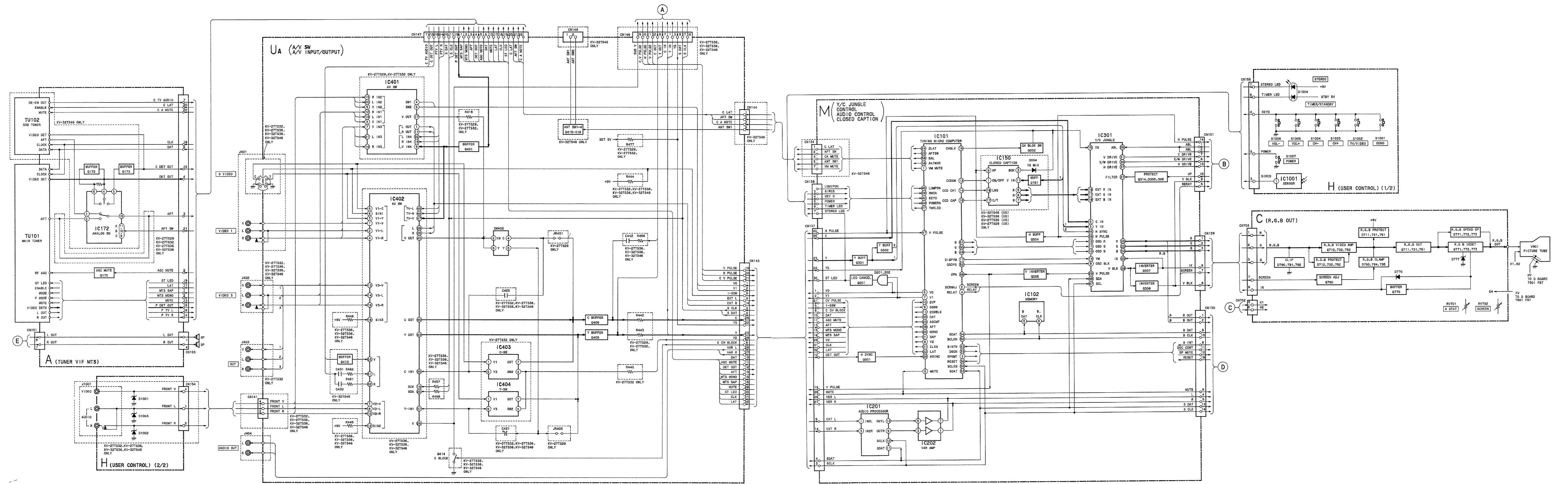


6. Write the memory by pressing **MUTING** then **ENTER**.

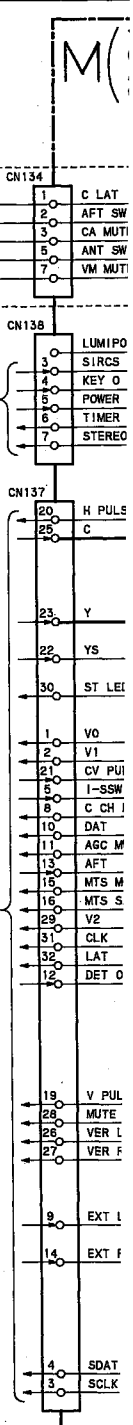
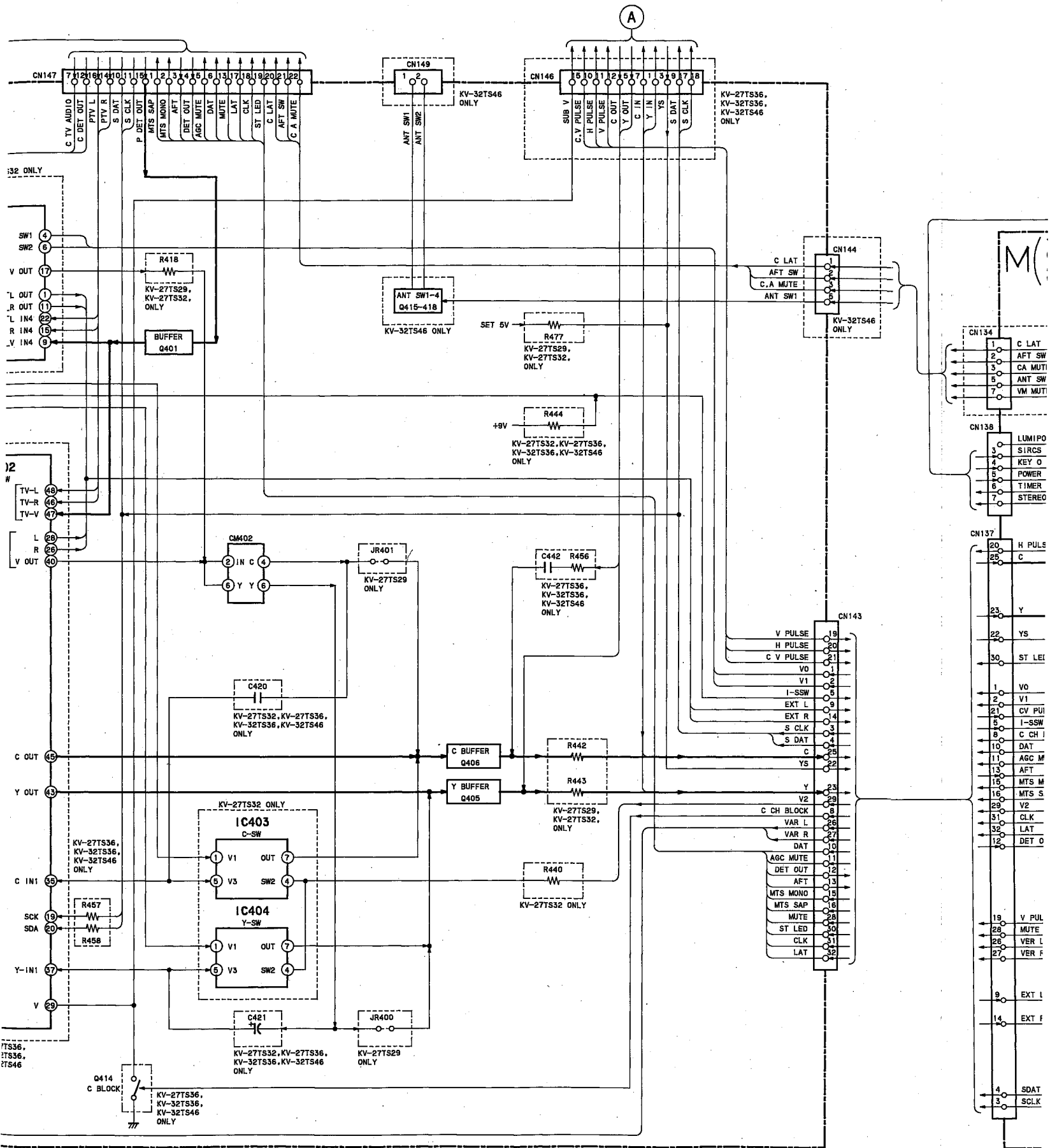
SECTION 6
DIAGRAMS

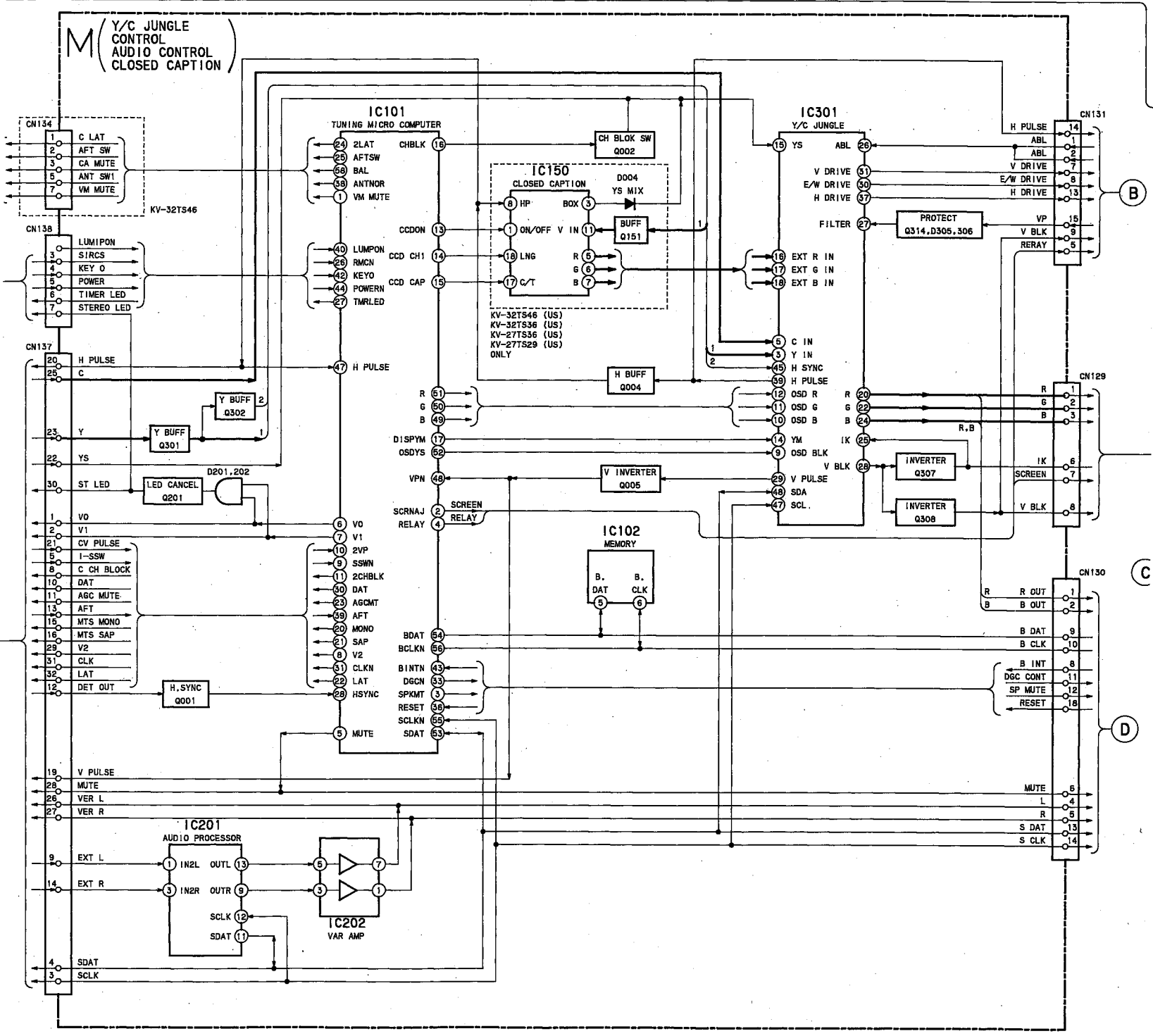
KV-27TS29/27TS32/27TS36 RM-Y116 RM-Y117 RM-Y118	KV-27TS29/27TS32/27TS36 RM-Y116 RM-Y117 RM-Y118
KV-32TS36/32TS46 RM-Y118 RM-Y118 SA-W200	KV-32TS36/32TS46 RM-Y118 RM-Y118 SA-W200

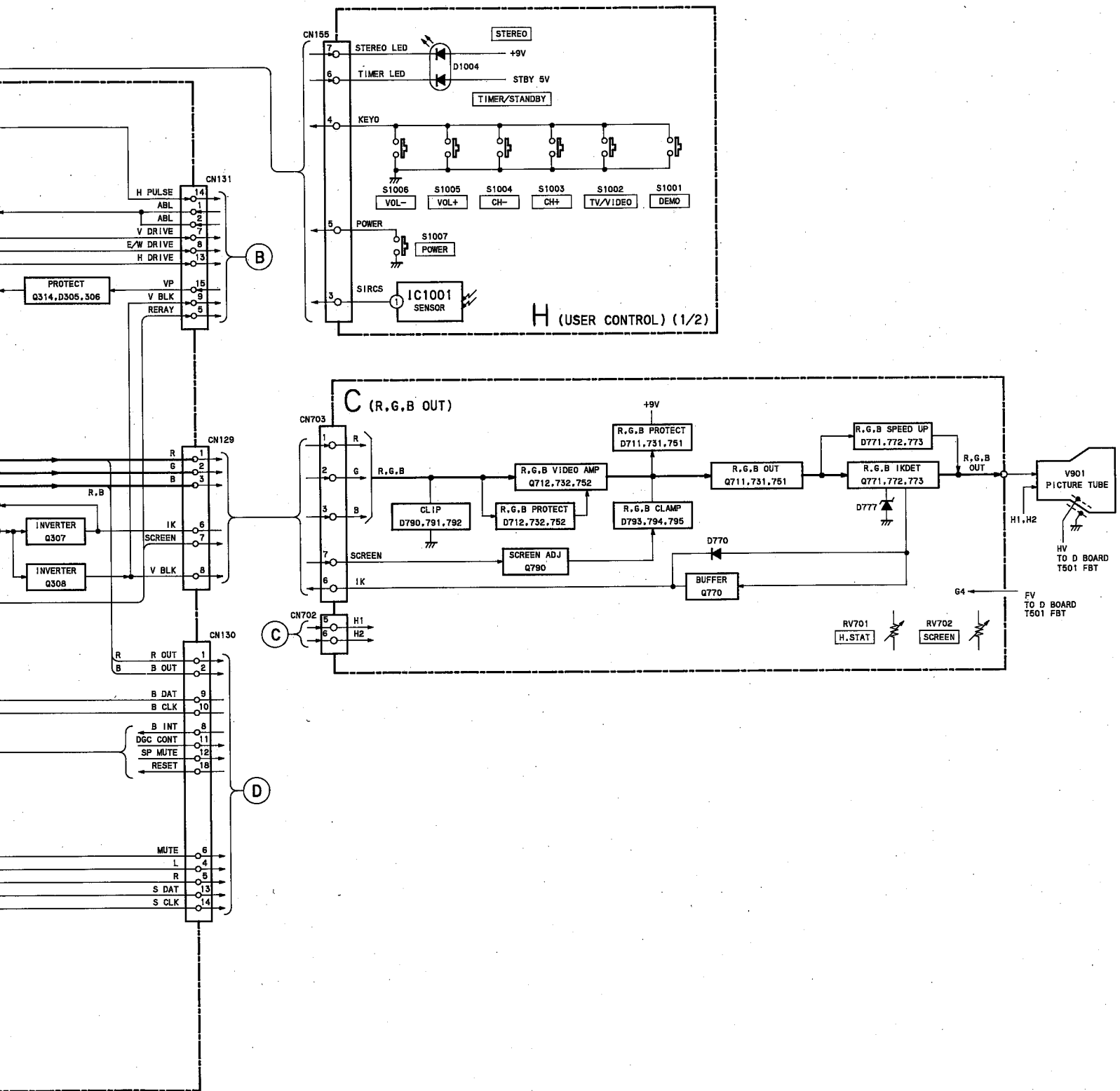
KV-27TS29/27TS32/27TS36 RM-Y116 RM-Y117 RM-Y118	KV-27TS29/27TS32/27TS36 RM-Y116 RM-Y117 RM-Y118
KV-32TS36/32TS46 RM-Y118 RM-Y118 SA-W200	KV-32TS36/32TS46 RM-Y118 RM-Y118 SA-W200



KV-27TS29/27TS32/27TS36
 RM-Y116 RM-Y117 RM-Y118
KV-32TS36/32TS46
 RM-Y118 RM-Y118
 SA-W200







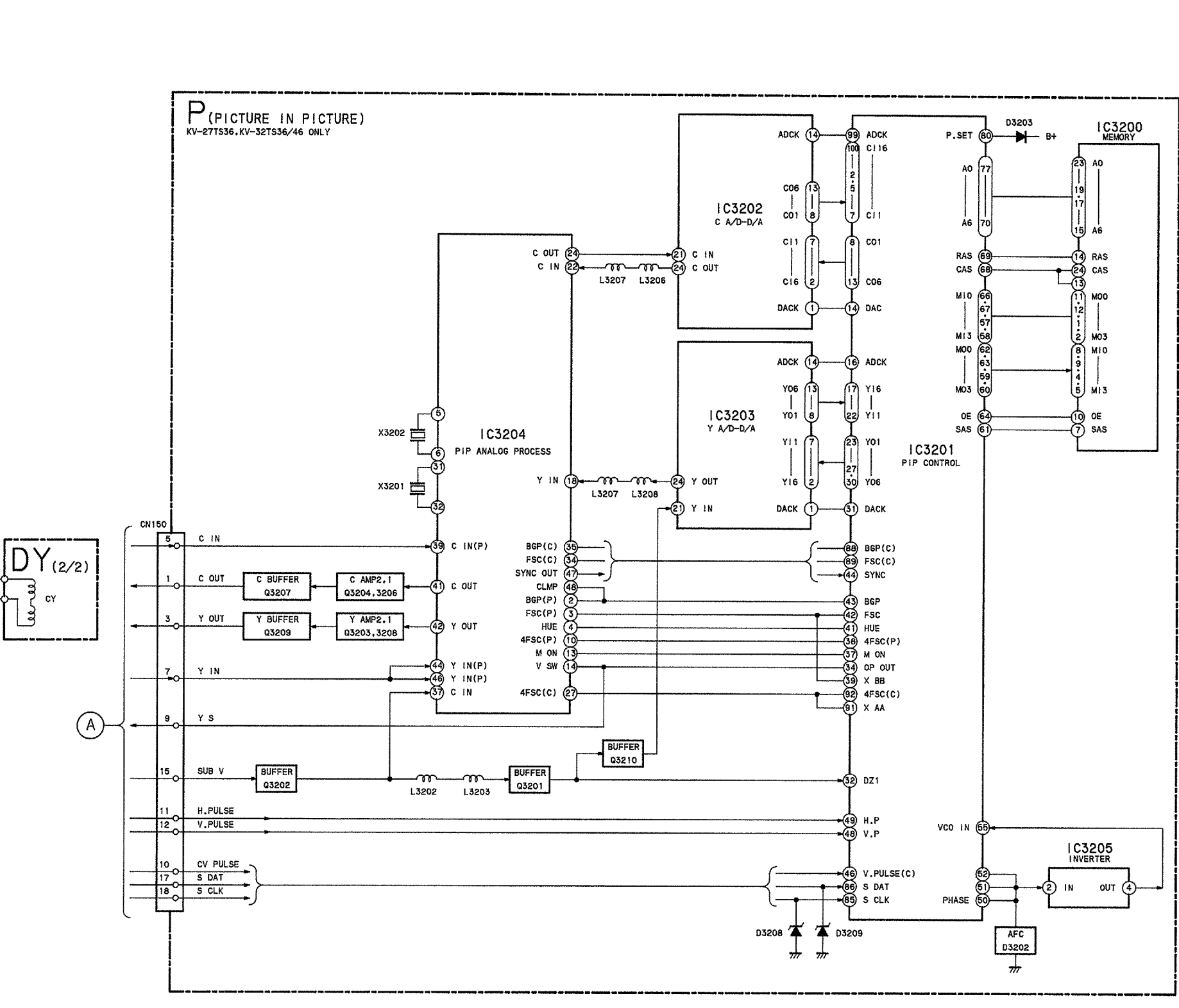
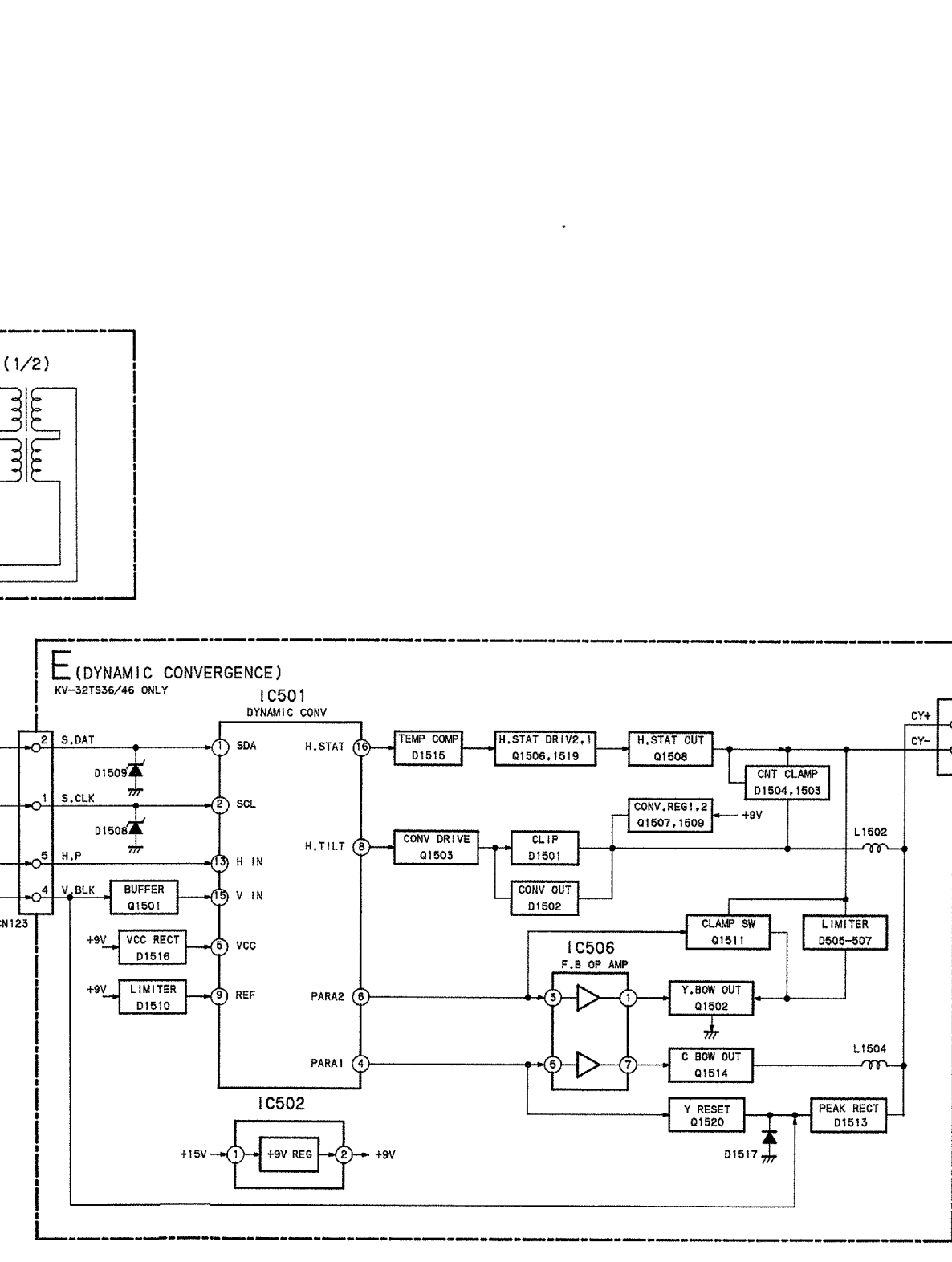
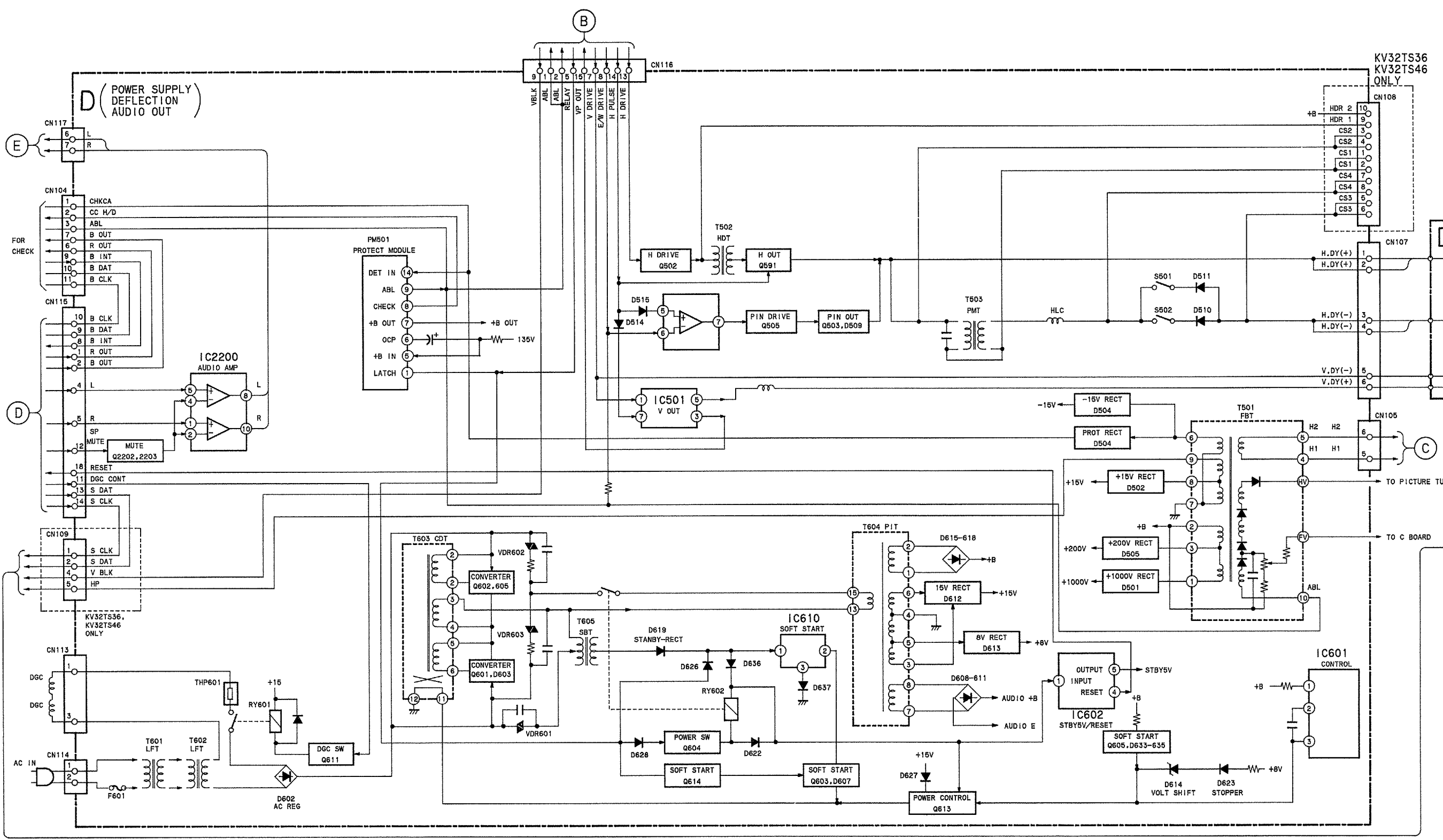
BLOCK DIAGRAMS (2)

KV-27TS29/27TS32/27TS36
RM-Y116 RM-Y117 RM-Y118
KV-32TS36/32TS46
RM-Y118 RM-Y119 SA-W200

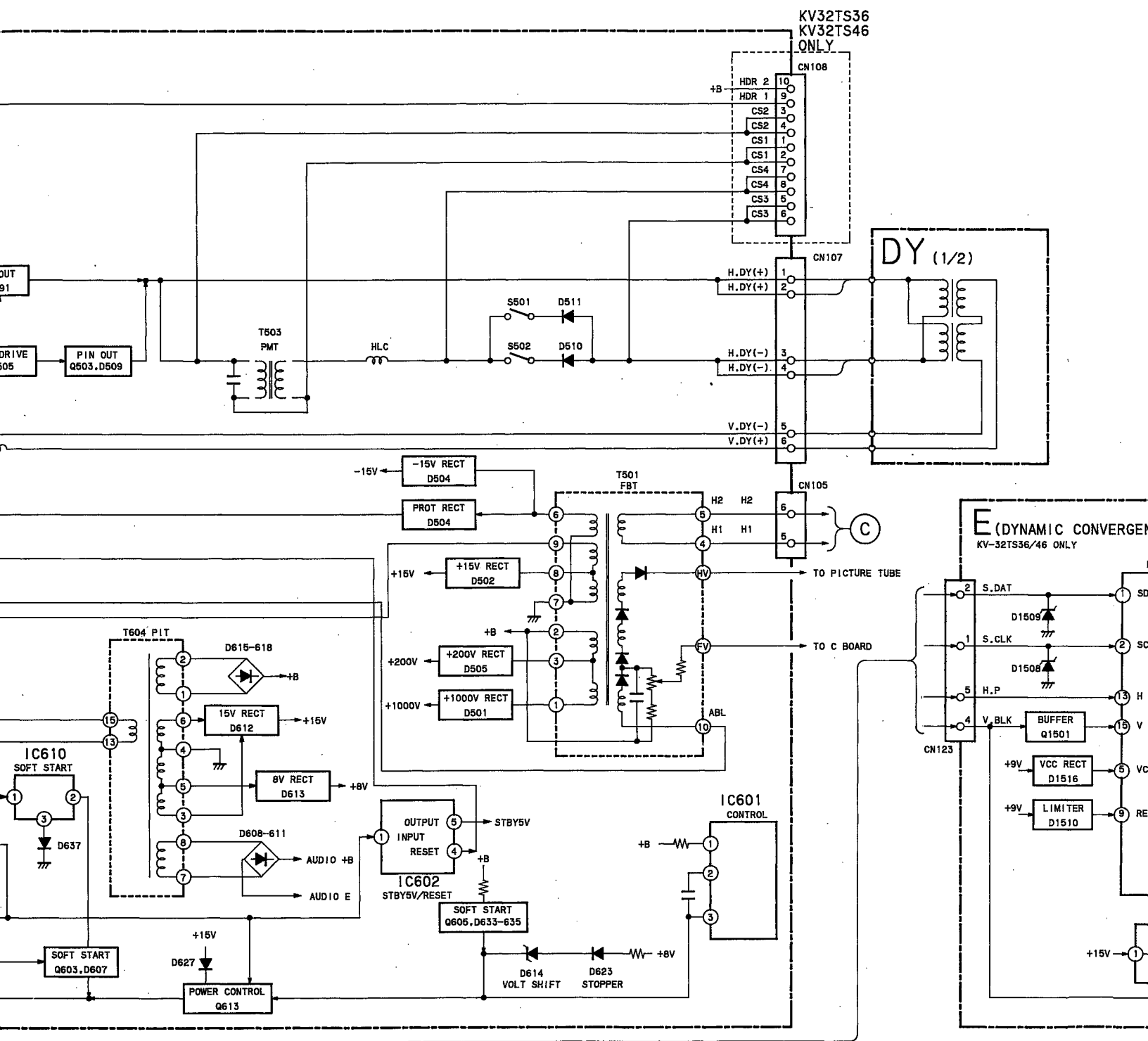
KV-27TS29/27TS32/27TS36
RM-Y116 RM-Y117 RM-Y118
KV-32TS36/32TS46
RM-Y118 RM-Y119 SA-W200

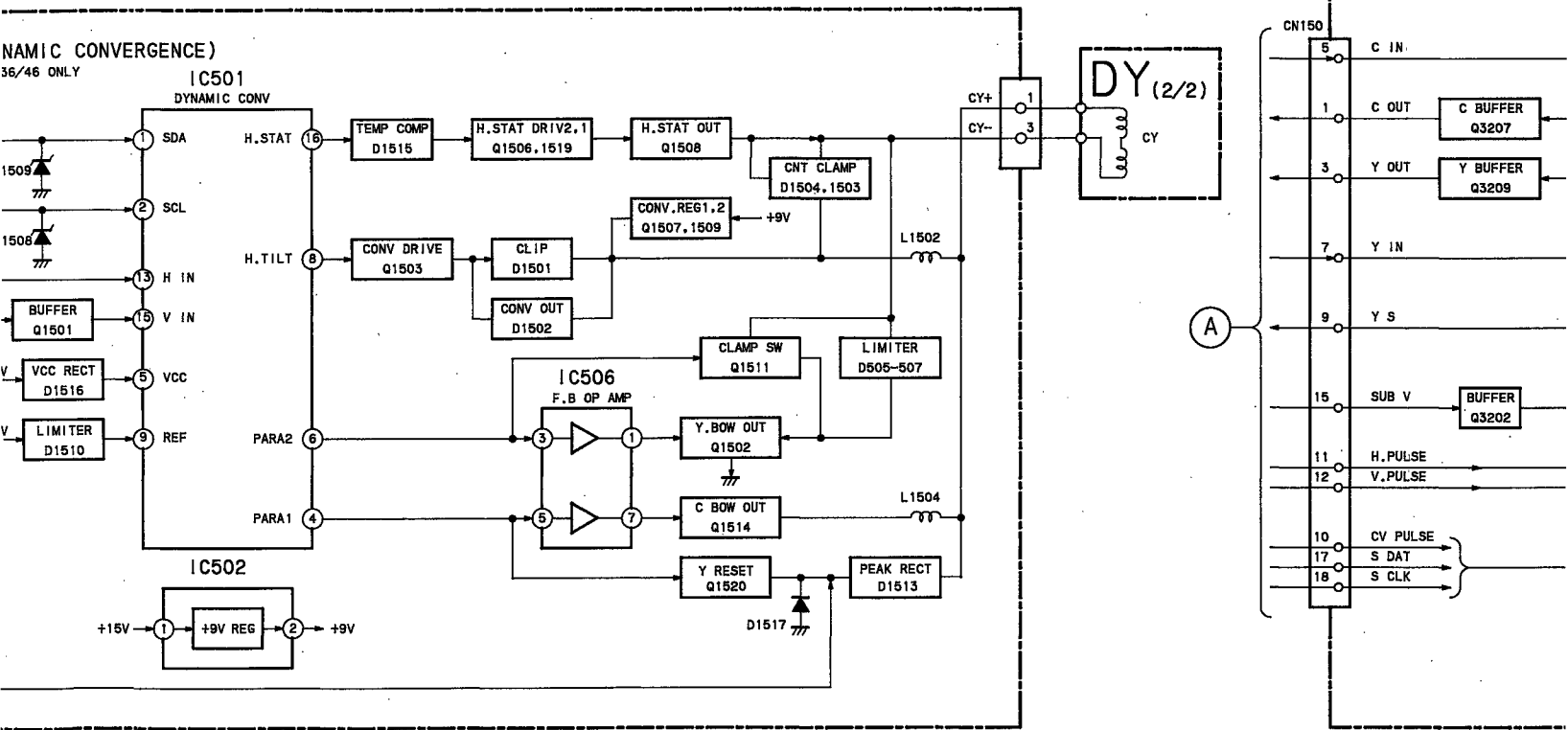
KV-27TS29/27TS32/27TS36
RM-Y116 RM-Y117 RM-Y118
KV-32TS36/32TS46
RM-Y118 RM-Y119 SA-W200

KV-27TS29/27TS32/27TS36
RM-Y116 RM-Y117 RM-Y118
KV-32TS36/32TS46
RM-Y118 RM-Y119 SA-W200



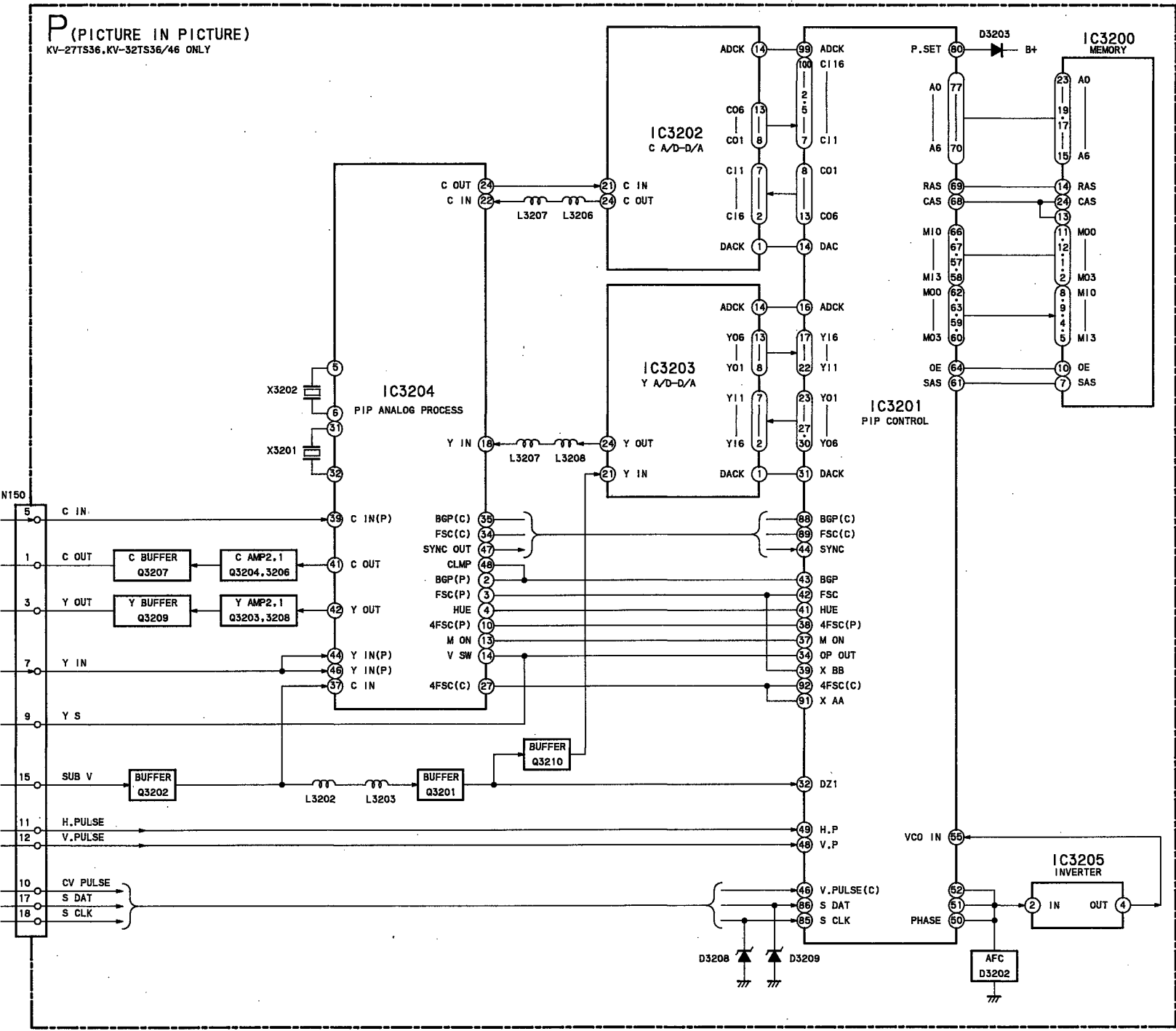
KV-27TS29/27TS32/27TS36
 RM-Y116 RM-Y117 RM-Y118
KV-32TS36/32TS46
 RM-Y118 RM-Y118
 SA-W200





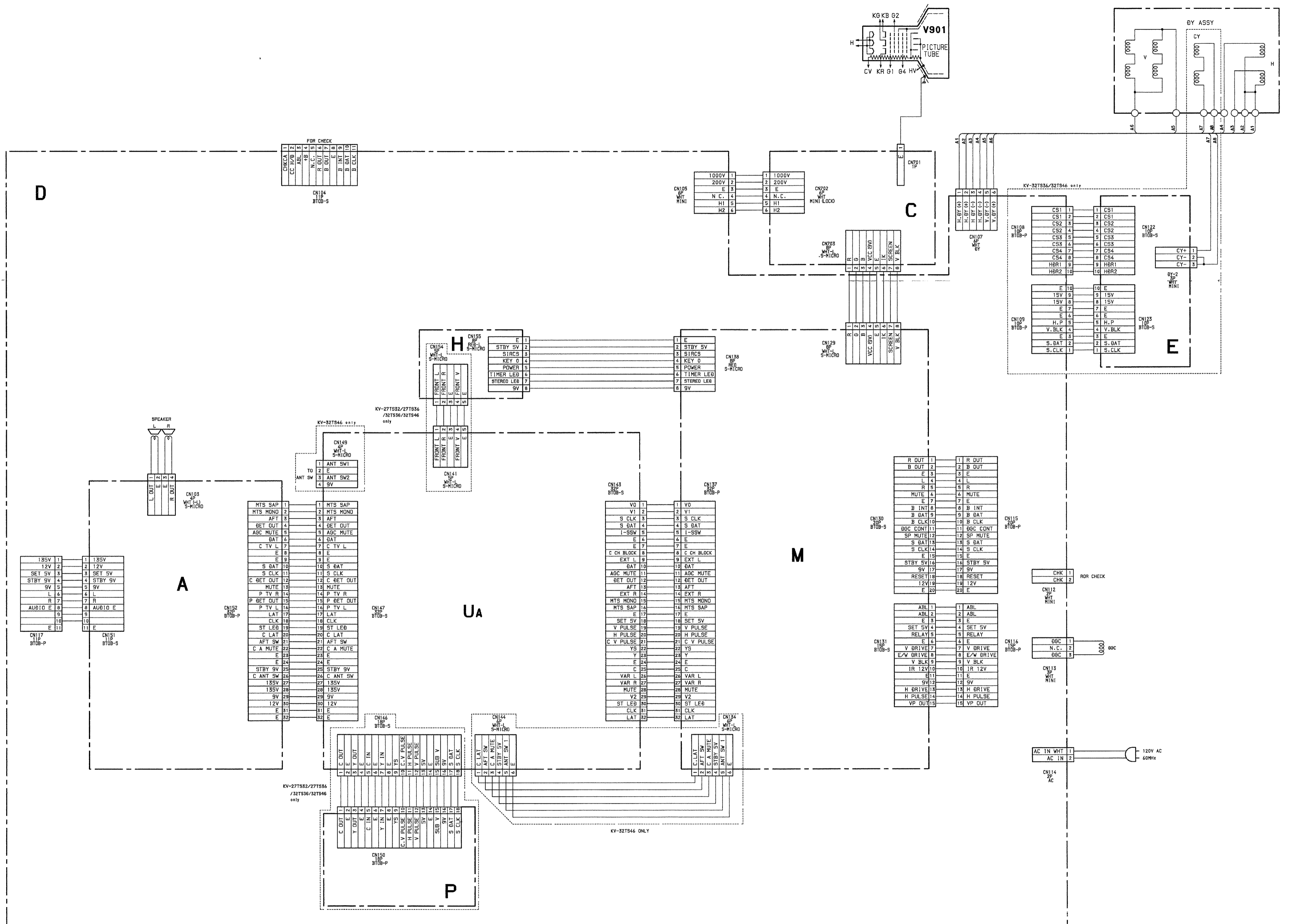
P (PICTURE IN PICT...)
 KV-27TS36, KV-32TS36/46 ONLY

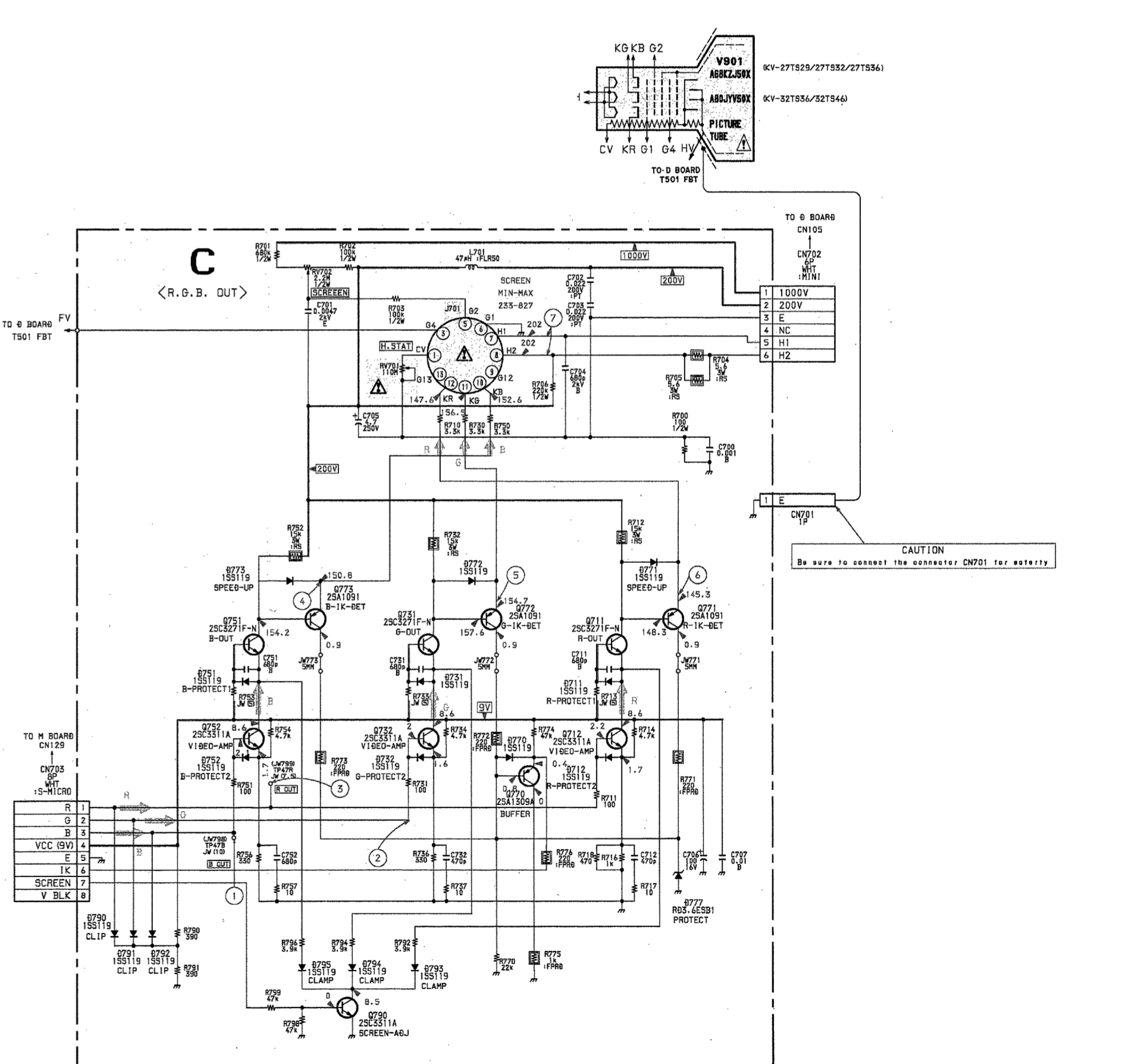
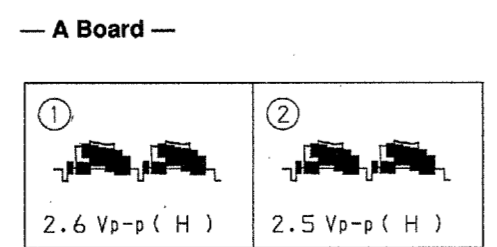
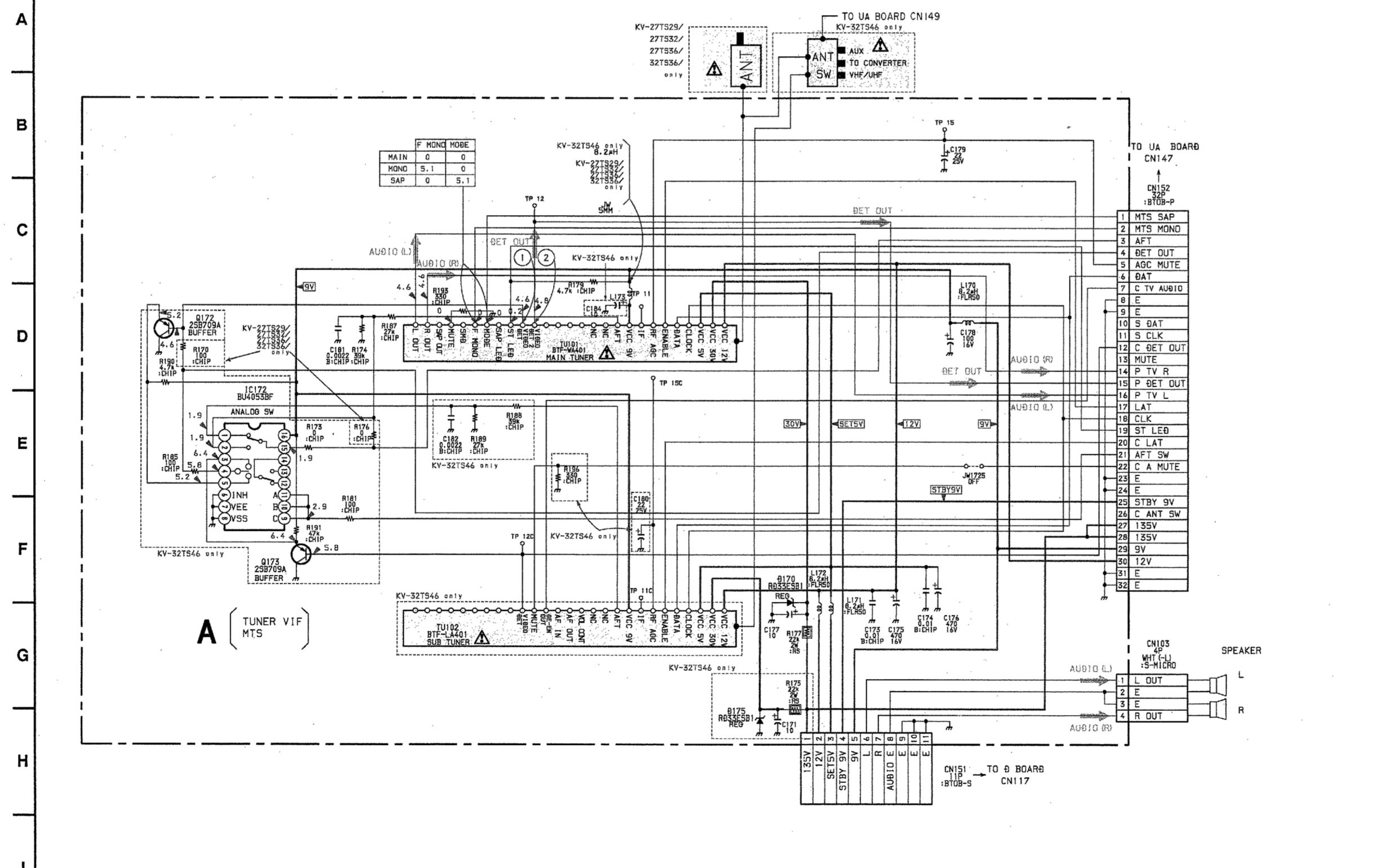
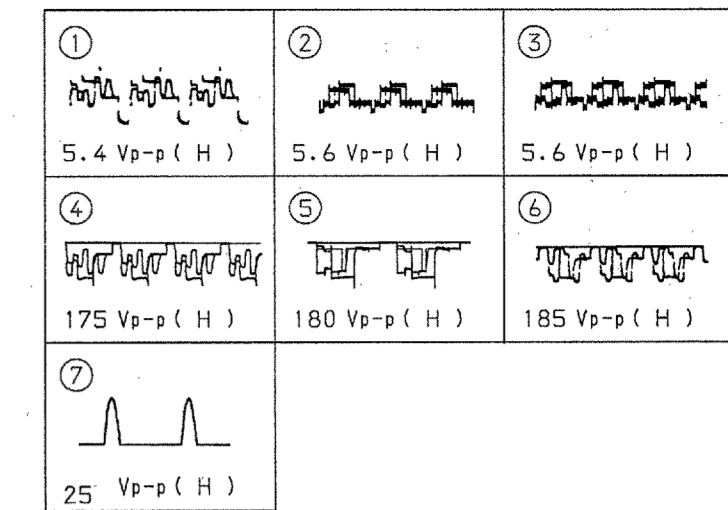
P (PICTURE IN PICTURE)
 KV-27TS36, KV-32TS36/46 ONLY



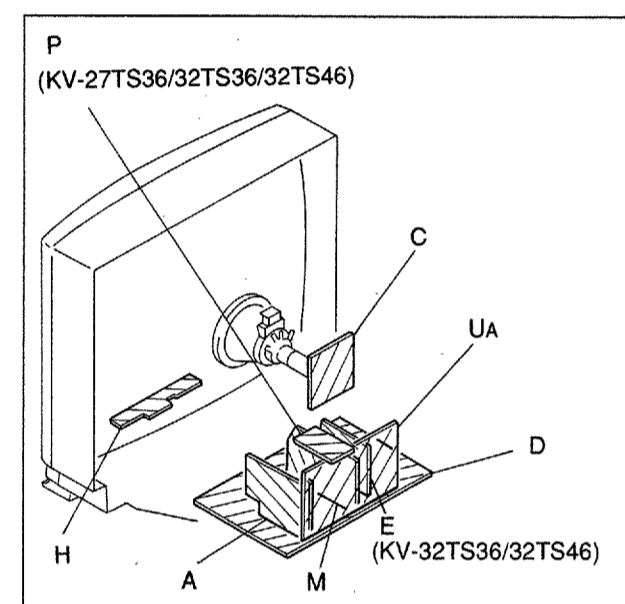
1 2 3 4 5 6 7 8 9 10 11 12 13 14 15 16 17 18 19 20 21 22

A B C D E F G H I J K L M N O P





6-3. CIRCUIT BOARDS LOCATION



Part replaced (☑)	Adjustment (☒)
PM501, R511, R632, R645, R650, R338 } D BOARD M BOARD	HOLD-DOWN (R511)
IC601, PM501, D504, C598, R509, R524, R632, R635, R645, T501 } D BOARD M BOARD	HOLD-DOWN (R524)

- All voltages are in V.
- Voltage are dc with respect to ground unless otherwise noted.
- Readings are taken with a 10 MΩ digital multimeter.
- Readings are taken with a color-bar signal input.
- Voltage variations may be noted due to normal production tolerance.
- Circled numbers are waveform references.
- ☑ : B+ line.
- ☒ : B- line.
- : signal path.

6-4. PRINTED WIRING BOARDS AND SCHEMATIC DIAGRAMS

- Note:**
- All capacitors are in μF unless otherwise noted.
 - pF: μF 50WV or less are not indicated except for electrolytic and tantalums.
 - All electrolytics are in 50V unless otherwise specified.
 - Indication of resistance, which does not have one for rating electrical power, is as follows.

Reference information

RESISTOR	: RN METAL FILM
	: RC SOLID
	: FPRD NONFLAMMABLE CARBON
	: FUSE NONFLAMMABLE FUSIBLE
	: RW NONFLAMMABLE WIREWOUND
	: RS NONFLAMMABLE METAL OXIDE
	: RB NONFLAMMABLE CEMENT
	: * ADJUSTMENT RESISTOR
COIL	: LF-8L MICRO INDUCTOR
CAPACITOR	: TA TANTALUM
	: PS STYROL
	: PP POLYPROPYLENE
	: PT MYLAR
	: MPS METALIZED POLYESTER
	: MPP METALIZED POLYPROPYLENE
	: ALB BIPOLAR
	: ALT HIGH TEMPERATURE
	: ALR HIGH RIPPLE

Note: The symbol display is on the component side. The components identified by shading and mark Δ are critical for safety. Replace only with part number specified.

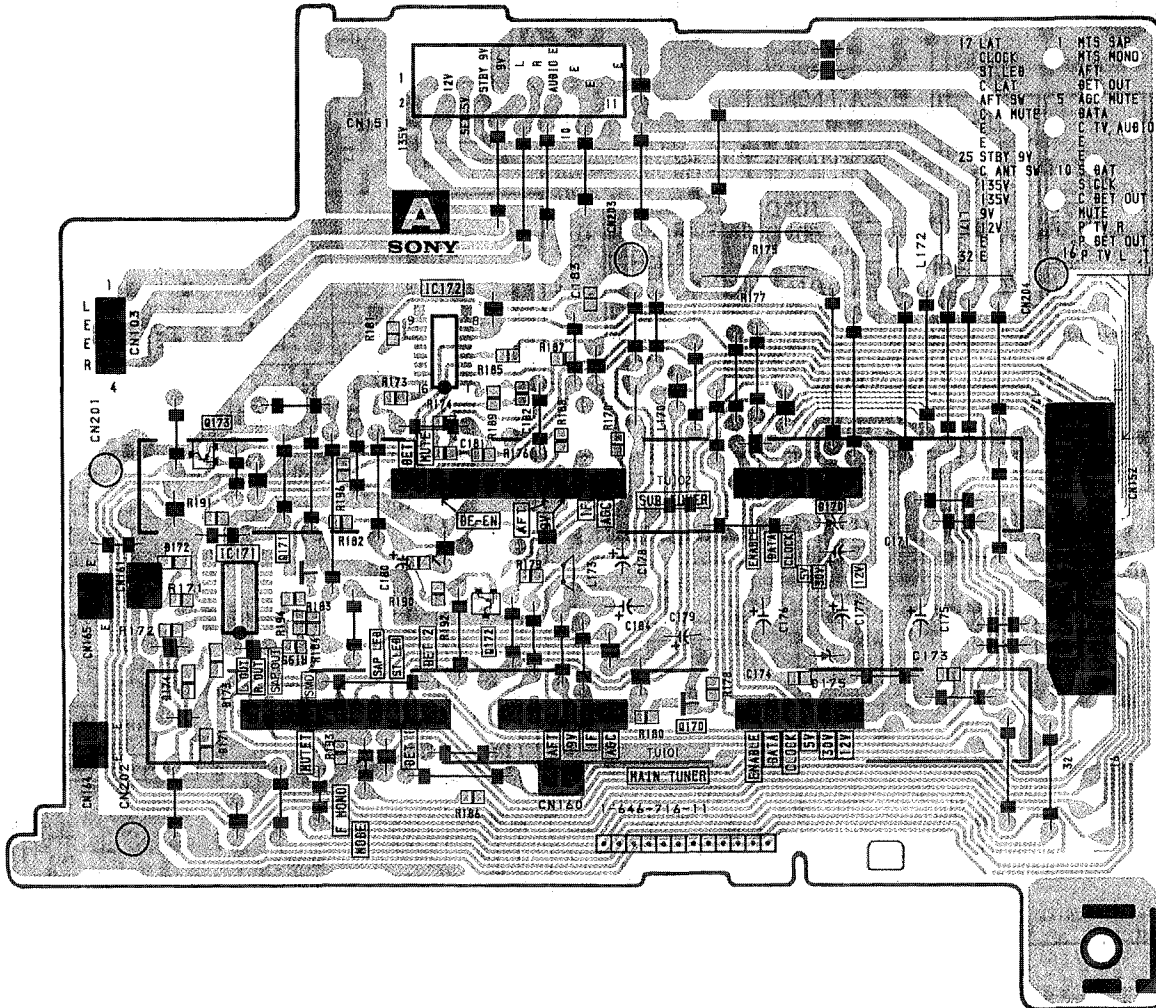
The symbol indicate fast operating fuse. Replace only with fuse of same rating as marked.

Note: Les composants identifiés par un trame et une marque Δ sont critiques pour la sécurité. Ne les remplacer que par une pièce portant le numéro spécifié.

Le symbole indique une fusible à action rapide. Doit être remplacée par une fusible de même valeur, comme marqué.

A [TUNER, VIF, MTS]

— A Board —



KV-27TS29/27TS32/27TS36

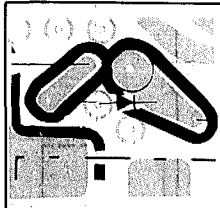
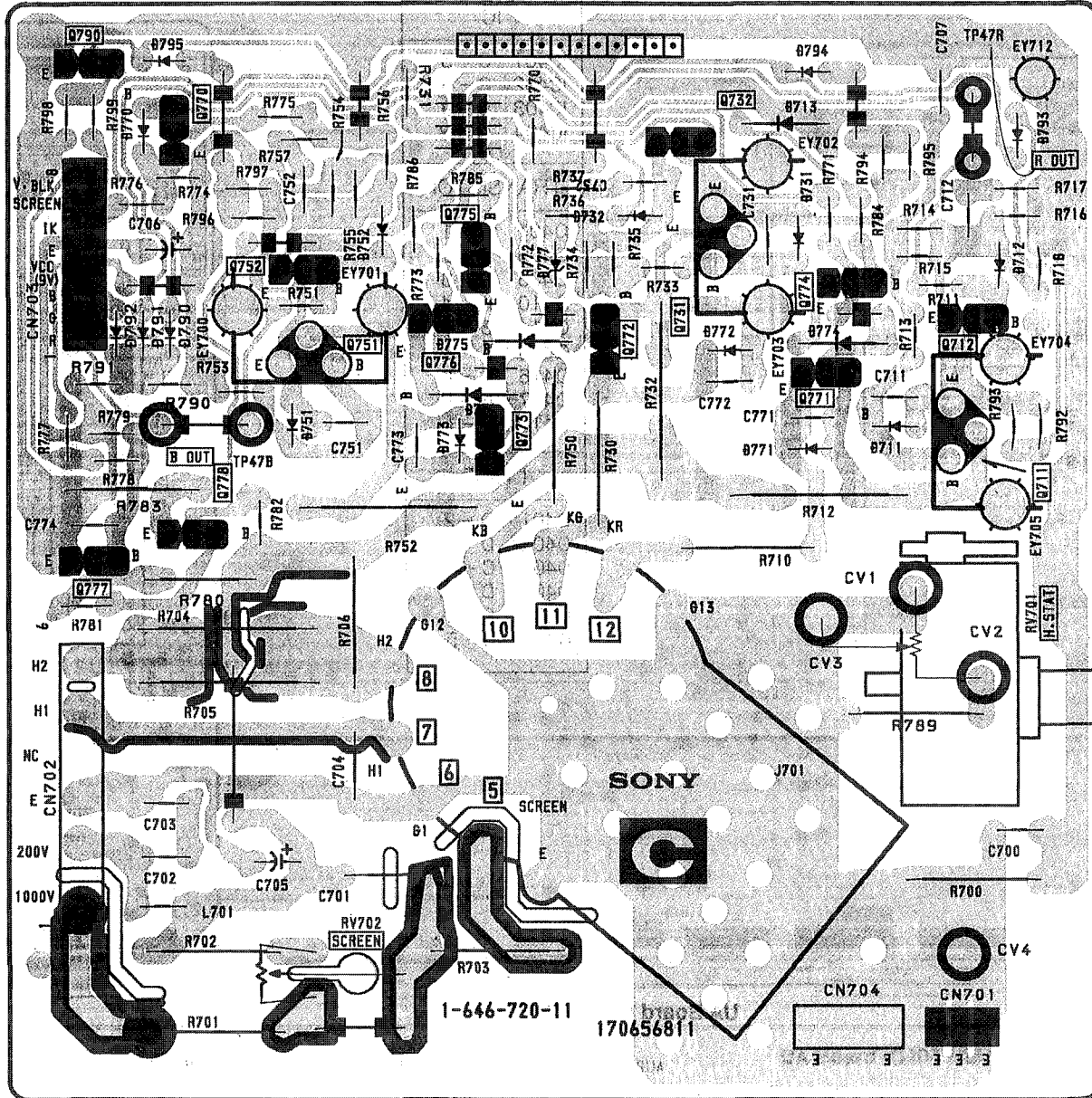
RM-Y116 RM-Y117 RM-Y118

KV-32TS36/32TS46

RM-Y118 RM-Y118 SA-W200

C [R.G.B. OUT]

— C Board —



NOTE:

The circuit indicated as left contains high voltage of over 600 Vp-p. Care must be paid to prevent an electric shock in inspection or repairing.

KV-27TS29/27TS32/27TS36
 RM-Y116 RM-Y117 RM-Y118
 KV-32TS36/32TS46
 RM-Y118 SA-W200

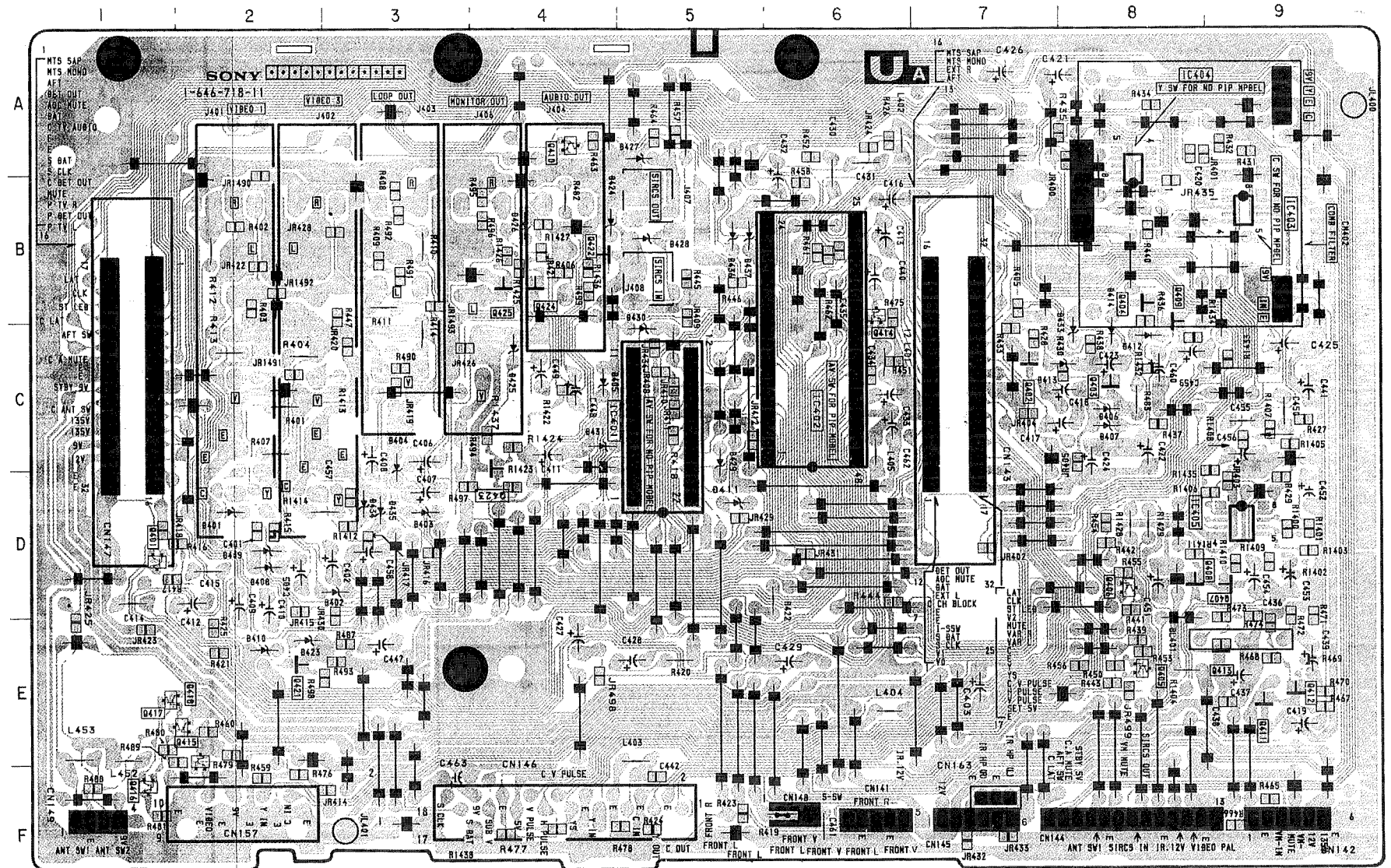
KV-27TS29/27TS32/27TS36
 RM-Y116 RM-Y117 RM-Y118
 KV-32TS36/32TS46
 RM-Y118 SA-W200

UA [AV SW, A/V INPUT, AV OUTPUT]

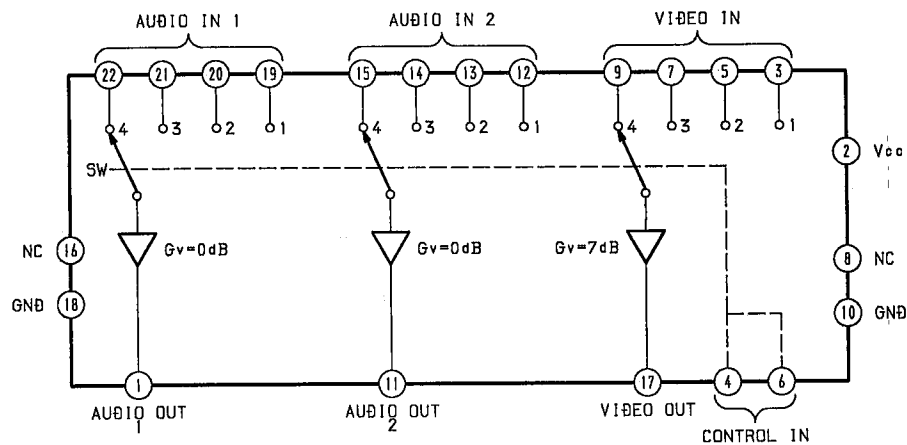
— UA Board —

IC	
IC401	C-5
IC402	C-6
IC403	B-9
IC404	A-8
TRANSISTOR	
Q401	D-1
Q405	E-8
Q406	D-8
Q410	A-4
Q414	B-6
Q415	E-2
Q416	F-1
Q417	E-1
Q418	E-1
DIODE	
D401	D-2
D402	D-3
D405	C-4
D408	D-2
D436	B-5
D437	B-5

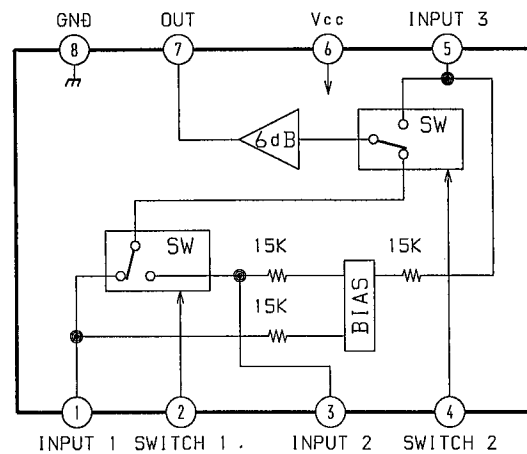
— UA Board —



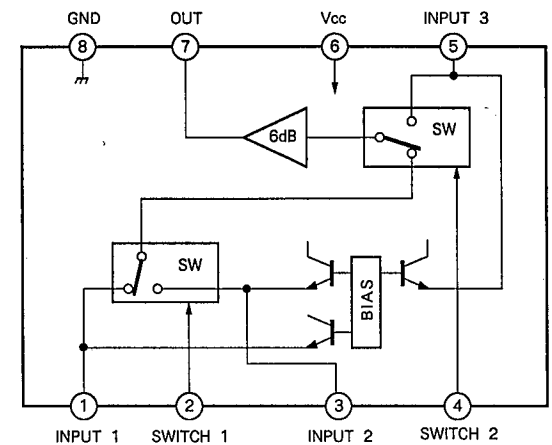
UA Board IC401 M5470AP



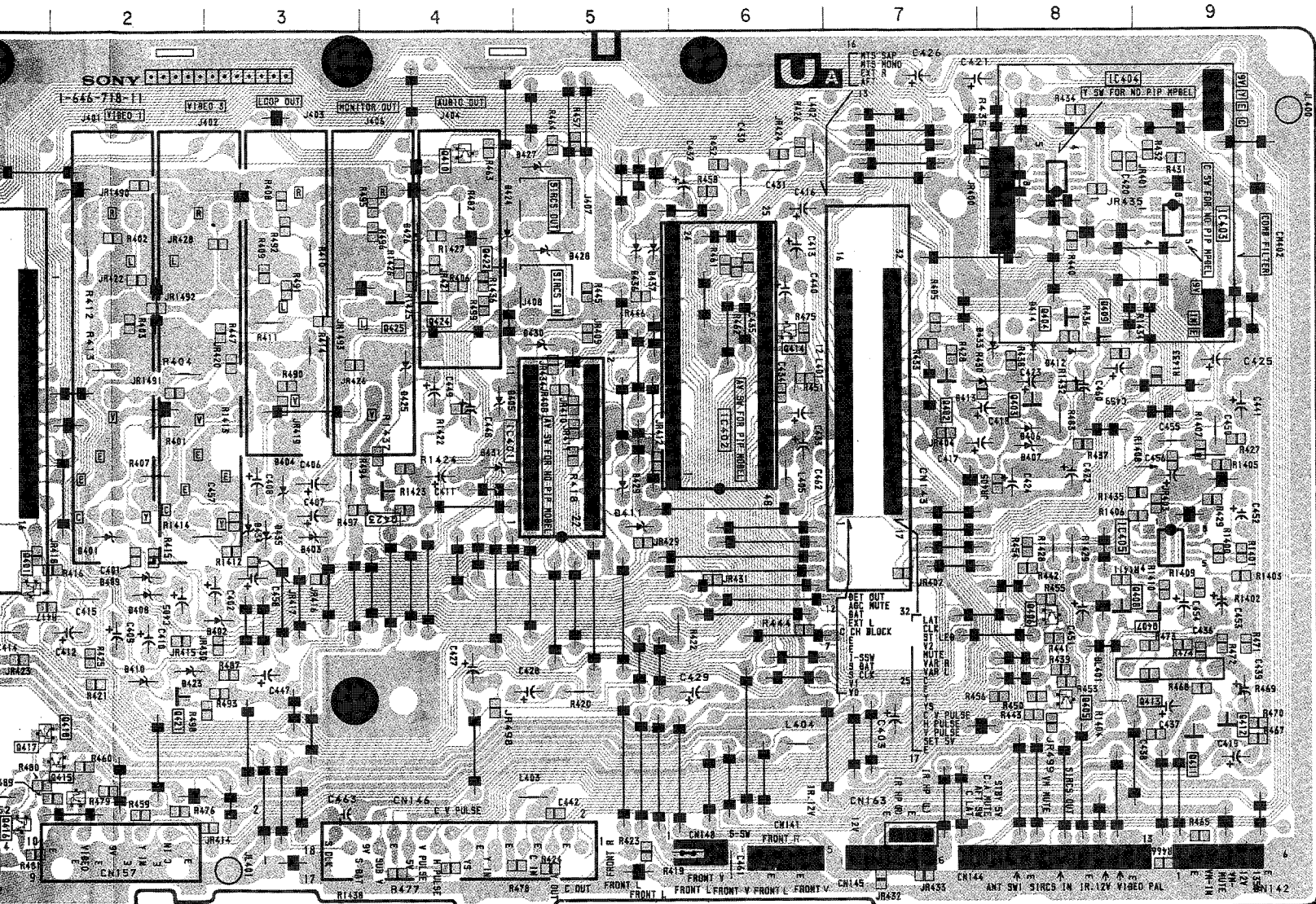
UA Board IC403 MM1114XFF



UA Board IC404 MM1118XFF

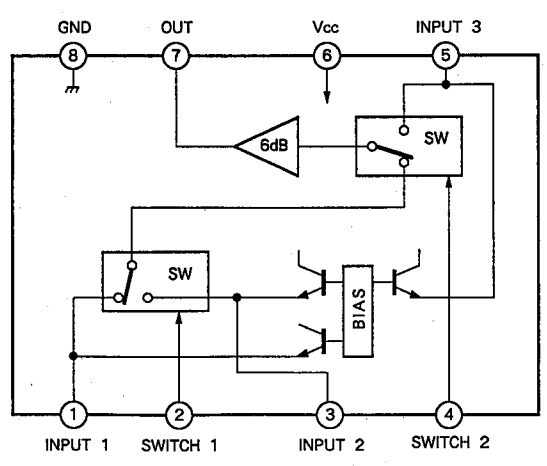
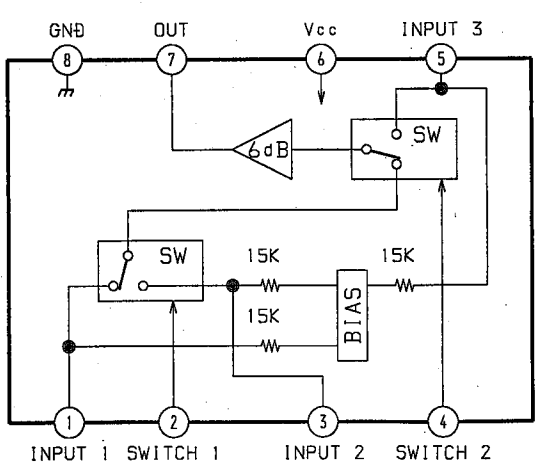
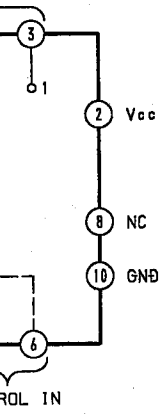


[V, A/V INPUT, AV OUTPUT]



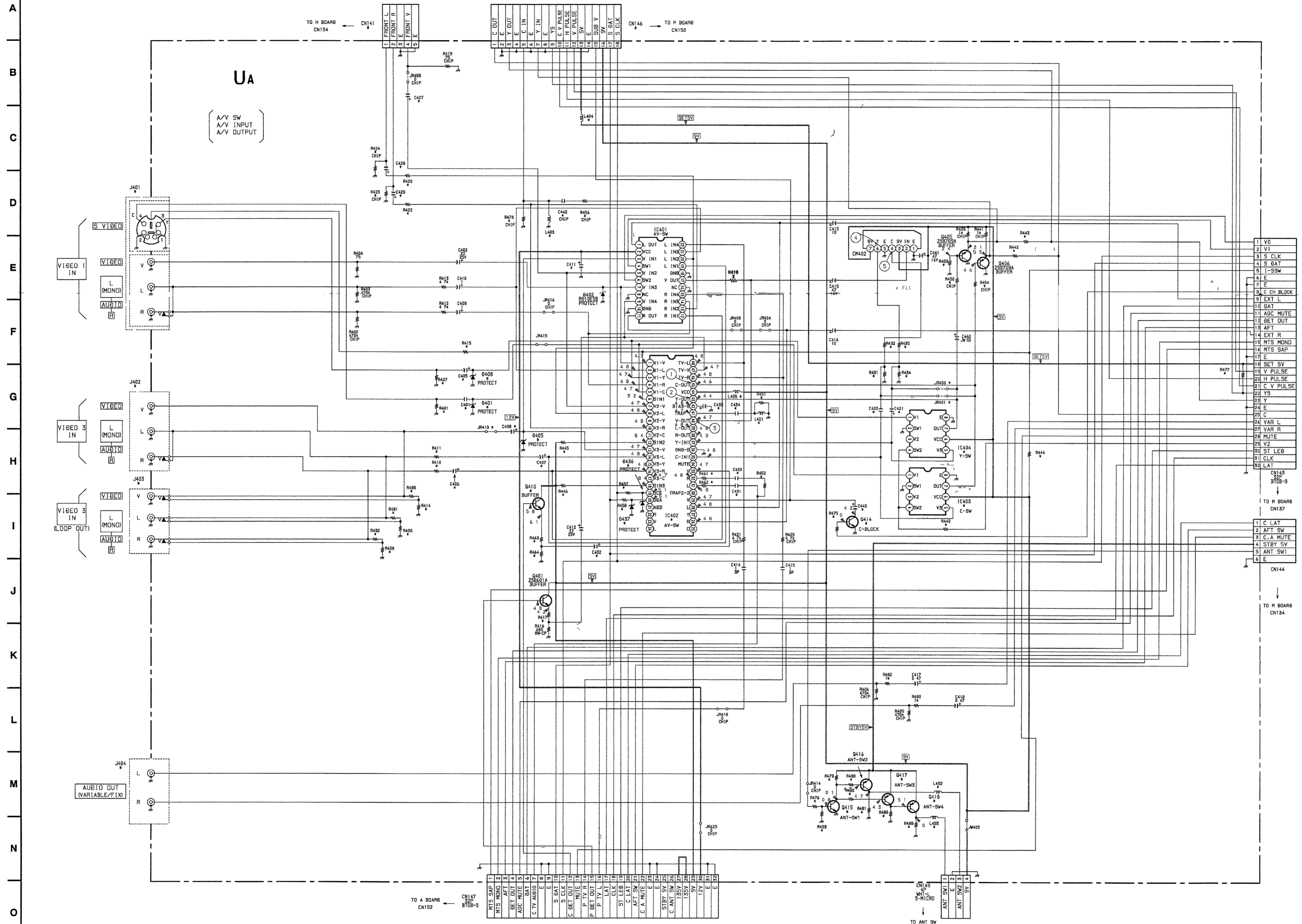
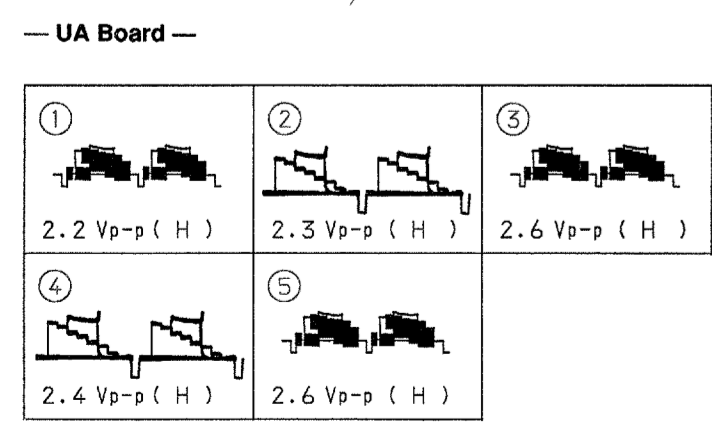
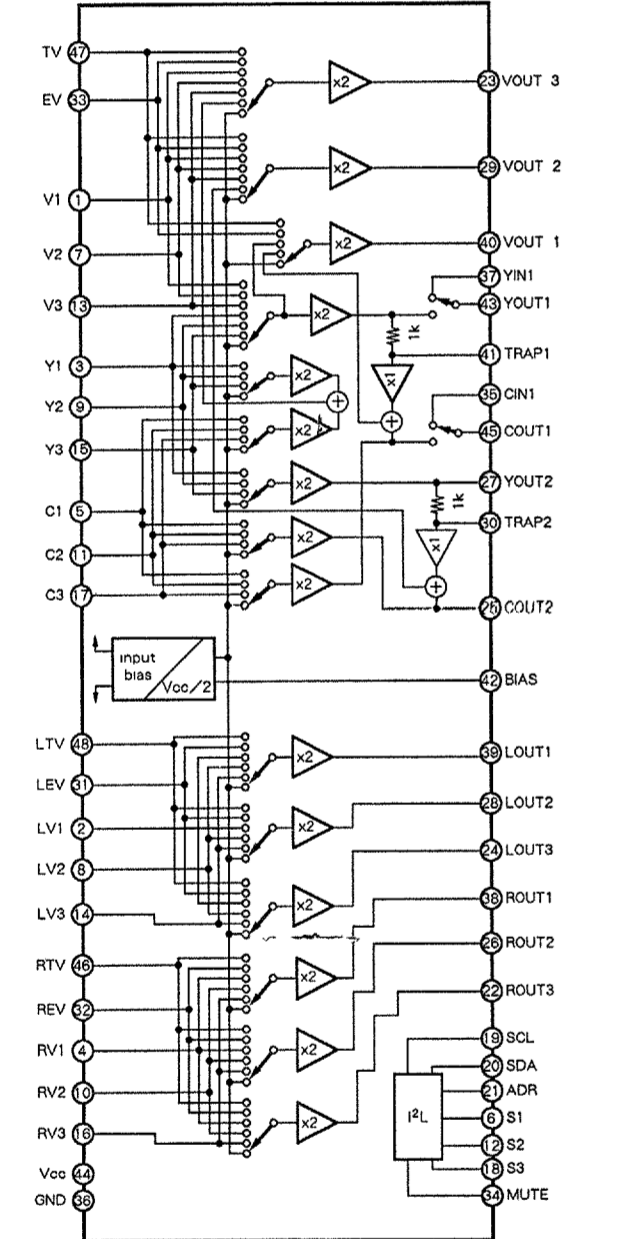
UA Board IC403 MM1114XFF

UA Board IC404 MM1118XFF



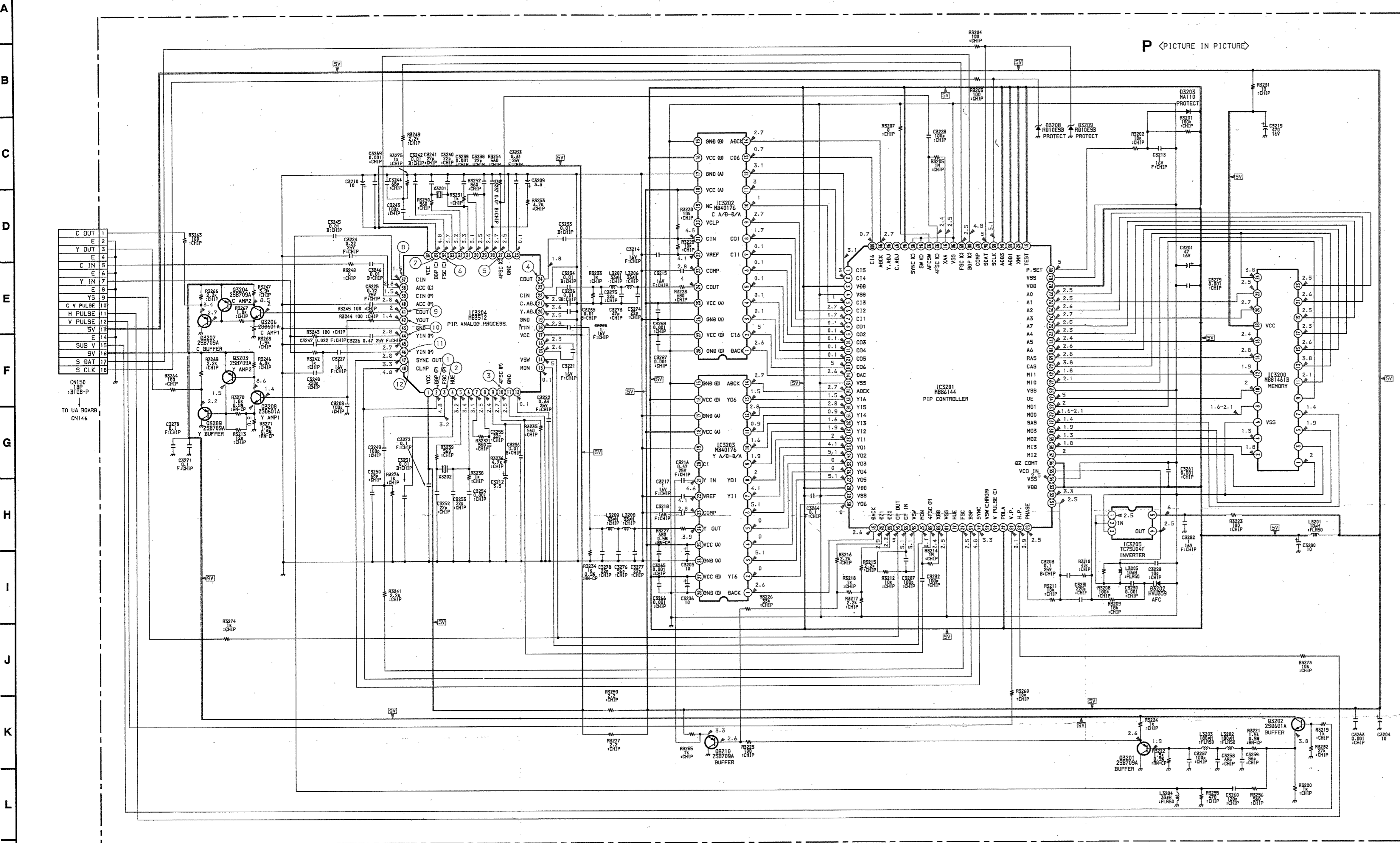
A
B
C
D
E
F
G
H
I
J
K
L
M
N
O
P

UA Board IC402 CXA1545AS



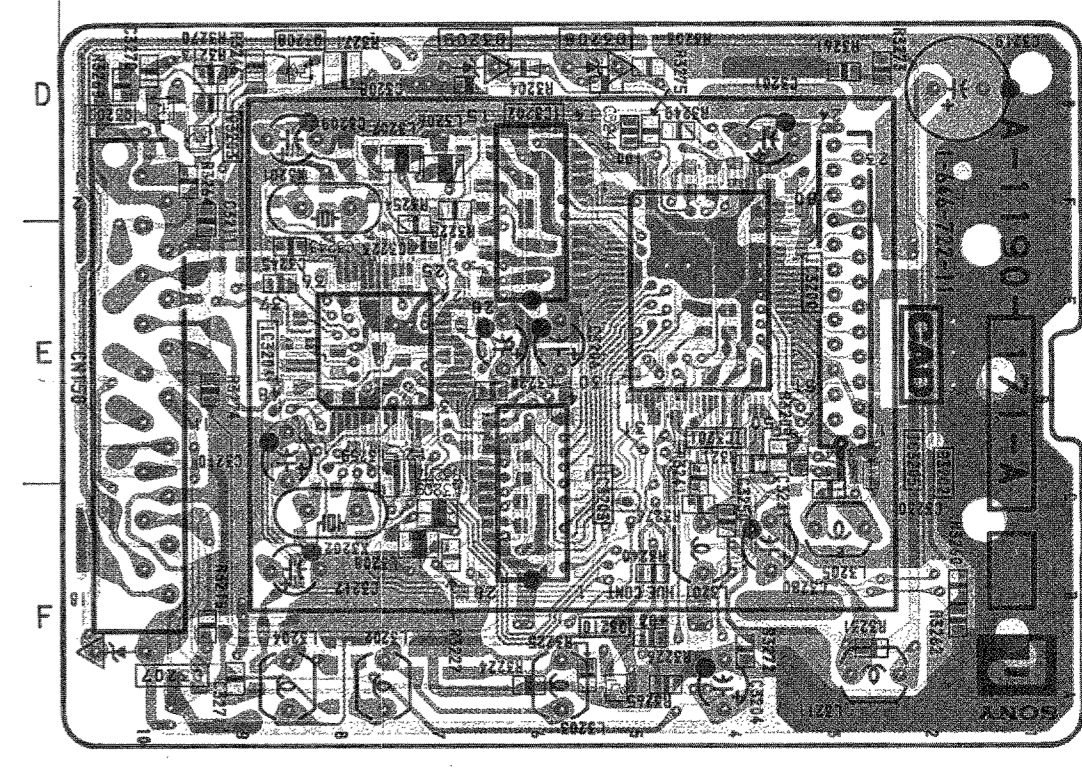
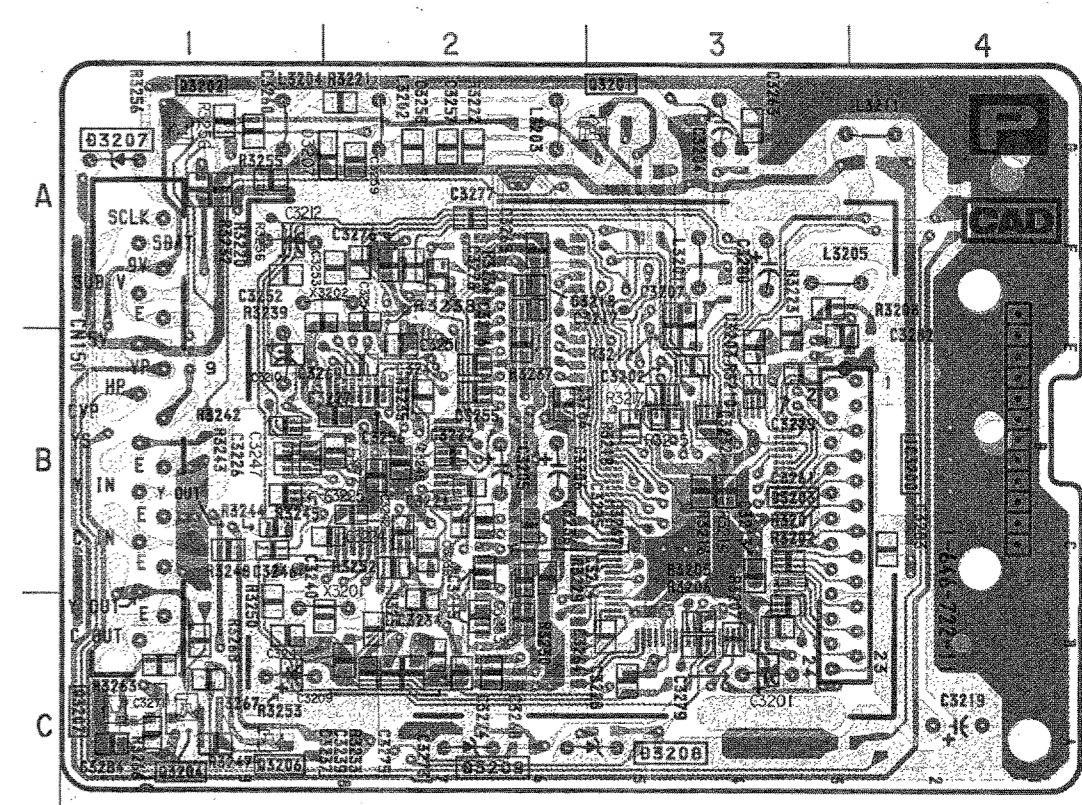
— UA Board —

	KV-32TS46	KV-27TS36 KV-32TS36	KV-27TS32	KV-27TS29
C401	0 01 F CHIP	0 01 F CHIP	0 01 F CHIP	-
C405	22 25V	22 25V	22 25V	-
C406	1	1	1	-
C407	1	1	1	-
C408	22 25V	22 25V	22 25V	-
C411	-	-	100 25V	100 25V
C420	0 01 F CHIP	0 01 F CHIP	0 01 F CHIP	-
C421	22 25V	22 25V	22 25V	-
C427	JM (S)	JM (S)	JM (S)	-
C428	JM (S)	JM (S)	JM (S)	-
C429	JM (S)	JM (S)	JM (S)	-
C430	1	-	-	-
C431	1	-	-	-
C432	22 25V	-	-	-
C433	33 25V	33 25V	-	-
C434	100P CHIP	100P CHIP	-	-
C440	10	10	-	-
C442	100P CHIP	100P CHIP	-	-
CN141	5P WHT-L S-MICRO	5P WHT-L S-MICRO	5P WHT-L S-MICRO	-
CN144	8P WHT-L S-MICRO	-	-	-
CN145	18P BT08-S	18P BT08-S	-	-
CN149	4P WHT-L S-MICRO	-	-	-
D401	R010ESB	R010ESB	R010ESB	-
D405	R010ESB	R010ESB	R010ESB	-
D408	R010ESB	R010ESB	R010ESB	-
D436	R010ESB	R010ESB	R010ESB	-
D437	R010ESB	R010ESB	R010ESB	-
IC401	-	-	MS2470AP	MS2470AP
IC402	CXA1545AS	CXA1545AS	-	-
IC403	-	-	MM114XFF	-
IC404	-	-	MM118XFF	-
J401	S TERMINAL BLOCK	S TERMINAL BLOCK	S TERMINAL BLOCK	PIN JACK BLOCK
J402	PIN JACK BLOCK	PIN JACK BLOCK	PIN JACK BLOCK	PIN JACK BLOCK
J403	-	-	PIN JACK BLOCK	-
J404	-	-	-	-
J405	-	-	-	-
JR400	-	-	0 CHIP	0 CHIP
JR401	-	-	0 CHIP	0 CHIP
JR410	0 CHIP	0 CHIP	0 CHIP	0 CHIP
JR411	0 CHIP	0 CHIP	0 CHIP	0 CHIP
JR412	-	-	-	-
JR413	-	-	-	-
JR414	-	-	-	-
JR415	-	-	-	-
JR416	-	-	-	-
JR417	-	-	-	-
JR418	-	-	-	-
JR419	-	-	-	-
JR420	-	-	-	-
JR421	-	-	-	-
JR422	-	-	-	-
JR423	-	-	-	-
JR424	-	-	-	-
JR425	-	-	-	-
JR426	-	-	-	-
JR427	-	-	-	-
JR428	-	-	-	-
JR429	-	-	-	-
JR430	-	-	-	-
JR431	-	-	-	-
JR432	-	-	-	-
JR433	-	-	-	-
JR434	-	-	-	-
JR435	-	-	-	-
JR436	-	-	-	-
JR437	-	-	-	-
JR438	-	-	-	-
JR439	-	-	-	-
JR440	-	-	-	-
JR441	-	-	-	-
JR442	-	-	-	-
JR443	-	-	-	-
JR444	-	-	-	-
JR445	-	-	-	-
JR446	-	-	-	-
JR447	-	-	-	-
JR448	-	-	-	-
JR449	-	-	-	-
JR450	-	-	-	-
JR451	-	-	-	-
JR452	-	-	-	-
JR453	-	-	-	-
JR454	-	-	-	-
JR455	-	-	-	-
JR456	-	-	-	-
JR457	-	-	-	-
JR458	-	-	-	-
JR459	-	-	-	-
JR460	-	-	-	-
JR461	-	-	-	-
JR462	-	-	-	-
JR463	-	-	-	-
JR464	-	-	-	-
JR465	-	-	-	-
JR466	-	-	-	-
JR467	-	-	-	-
JR468	-	-	-	-
JR469	-	-	-	-
JR470	-	-	-	-
JR471	-	-	-	-
JR472	-	-	-	-
JR473	-	-	-	-
JR474	-	-	-	-
JR475	-	-	-	-
JR476	-	-	-	-
JR477	-	-	-	-
JR478	-	-	-	-
JR479	-	-	-	-
JR480	-	-	-	-
JR481	-	-	-	-
JR482	-	-	-	-
JR483	-	-	-	-
JR484	-	-	-	-
JR485	-	-	-	-
JR486	-	-	-	-
JR487	-	-	-	-
JR488	-	-	-	-
JR489	-	-	-	-
JR490	-	-	-	-
JR491	-	-	-	-
JR492	-	-	-	-

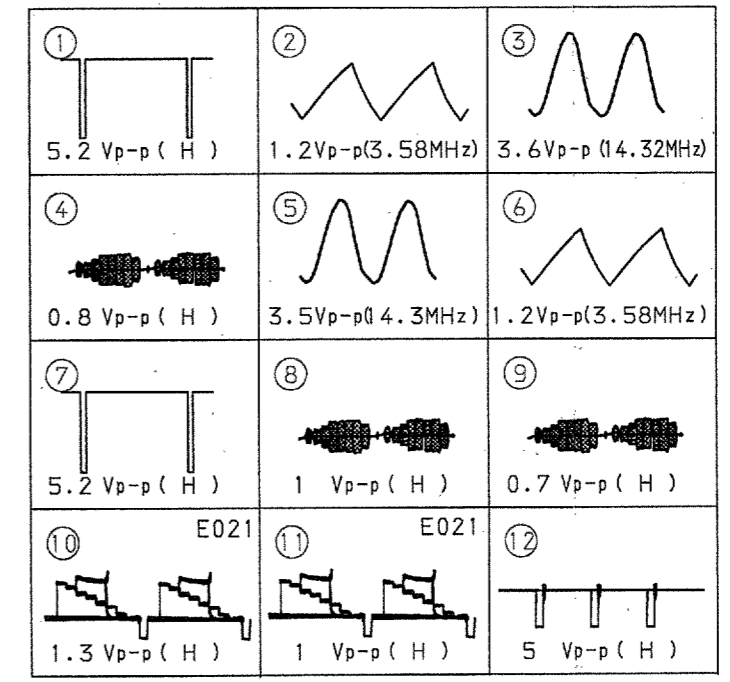


P [PICTURE IN PICTURE]

- P Board -



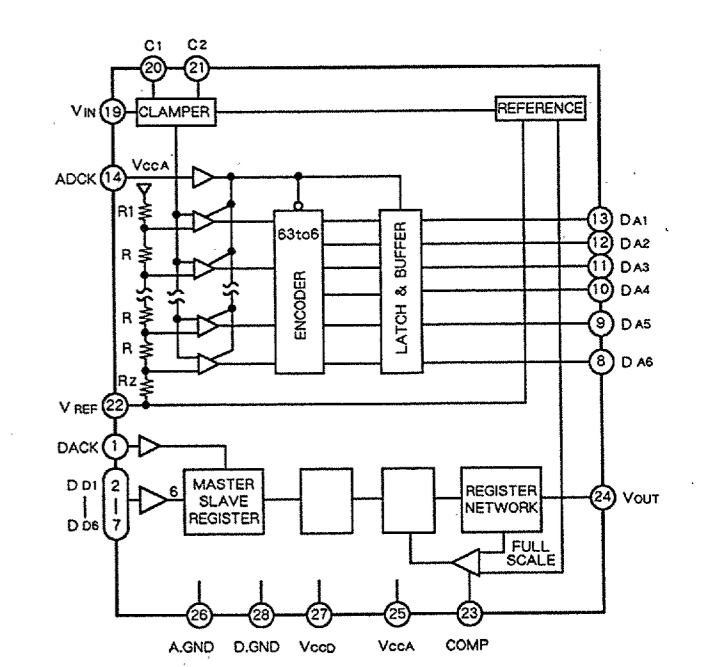
- P Board -



- P Board -

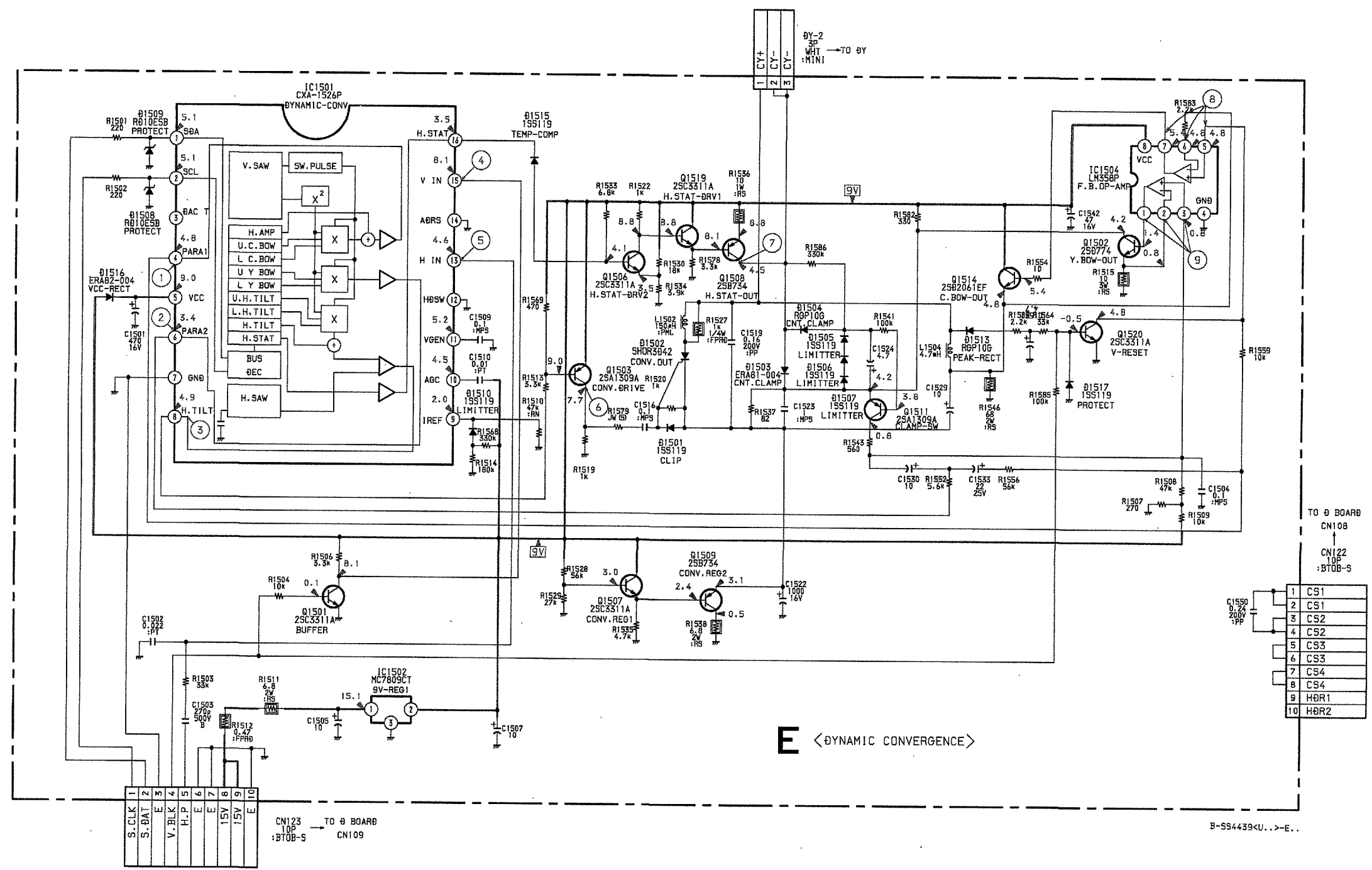
IC	
IC3200	B-4
IC3201	E-3
IC3202	D-2
IC3203	F-2
IC3204	E-2
IC3205	E-3
TRANSISTOR	
Q3201	A-3
Q3202	A-1
Q3203	D-1
Q3204	C-1
Q3205	C-1
Q3206	C-1
Q3207	C-1
Q3208	D-1
Q3209	D-1
Q3210	F-3
DIODE	
D3202	A-4
D3203	B-3
D3208	C-3
D3209	C-2

P Board IC3202, IC3203 MB40176



1 2 3 4 5 6 7 8 9 10 11 12

A
B
C
D
E
F
G
H
I
J

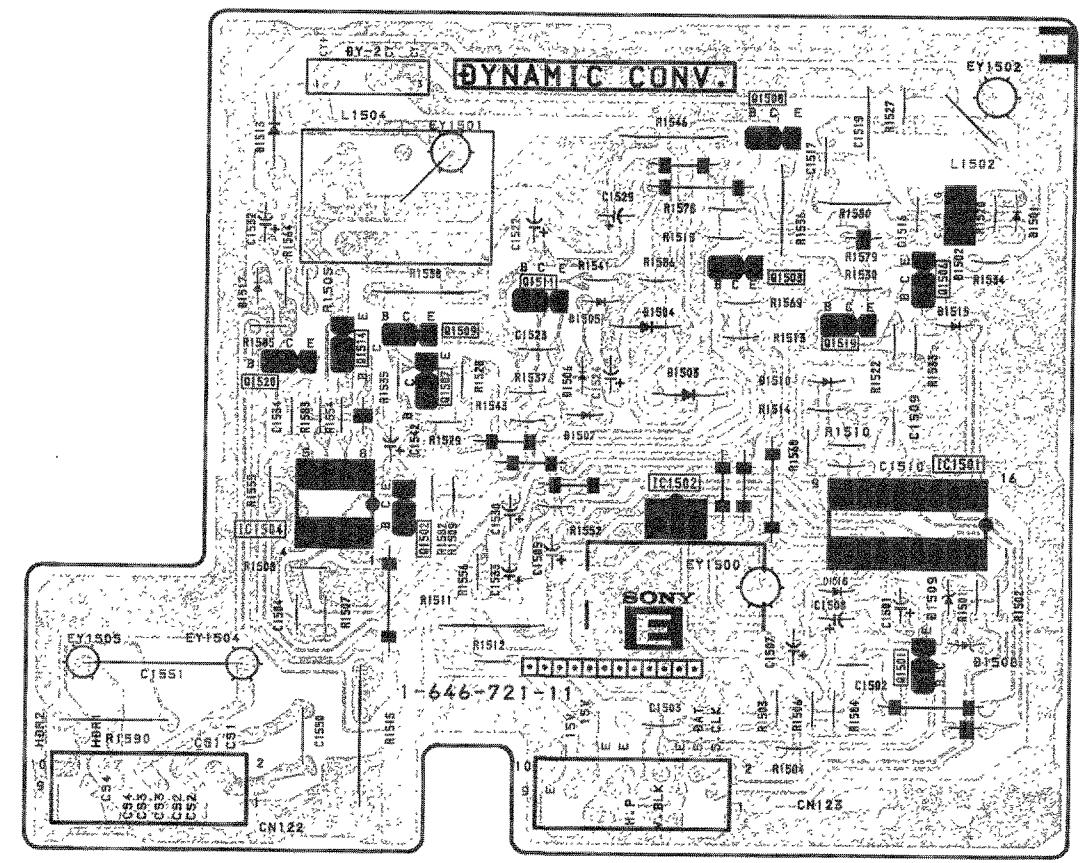


E < DYNAMIC CONVERGENCE >

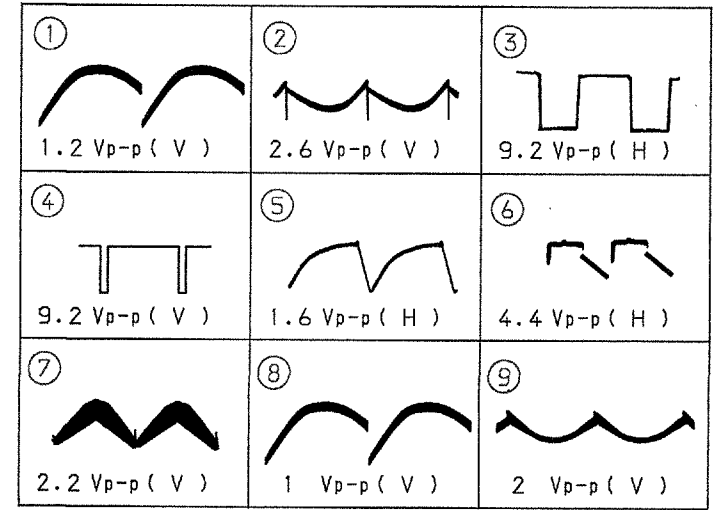
B-554439(U...)

E [DYNAMIC CONVERGENCE]

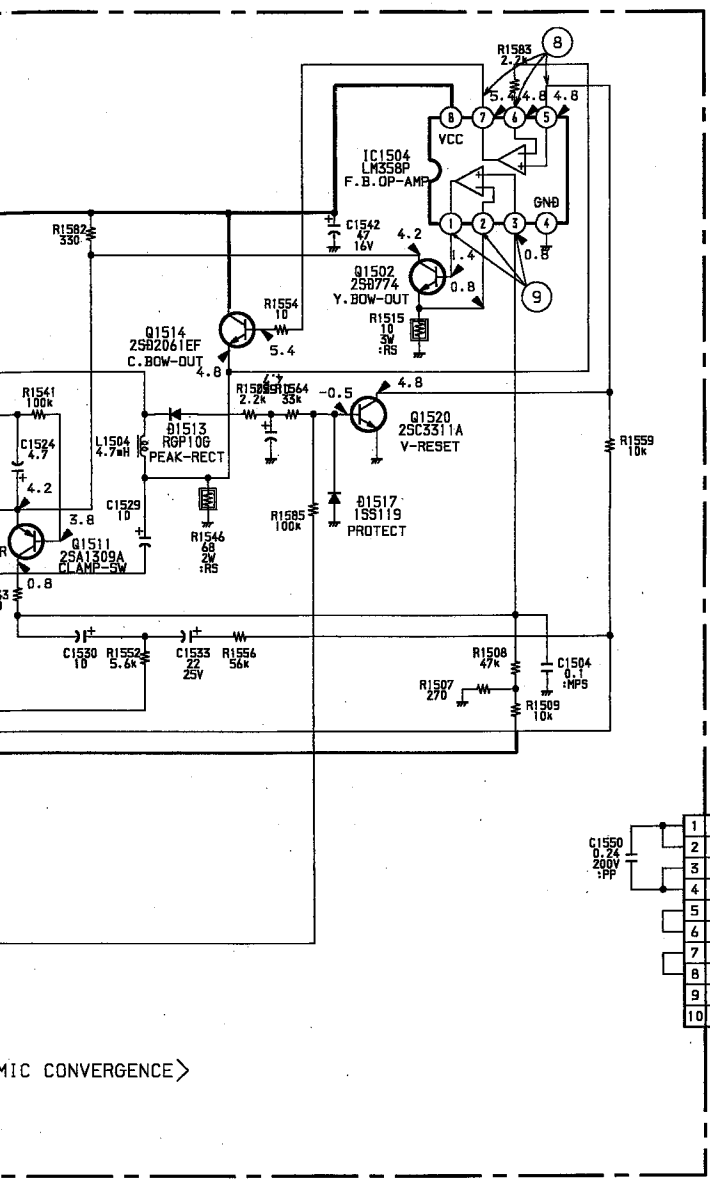
- E Board -



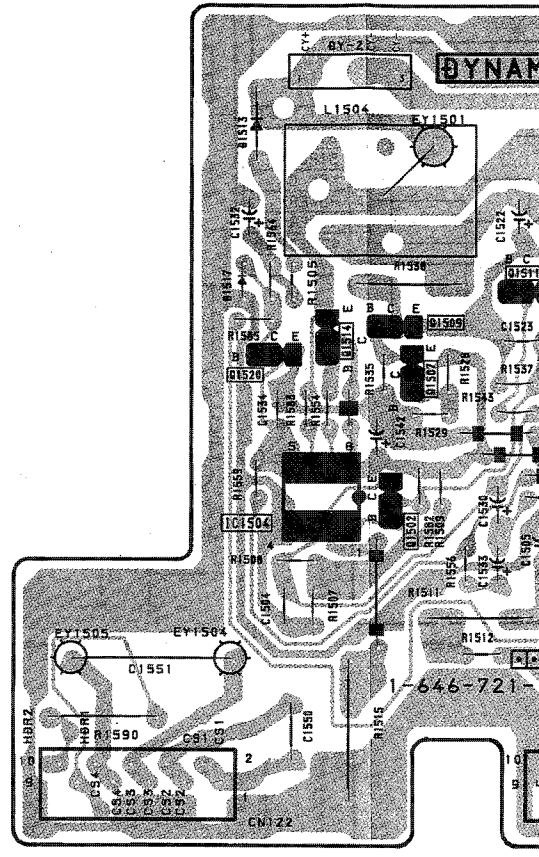
- E Board -



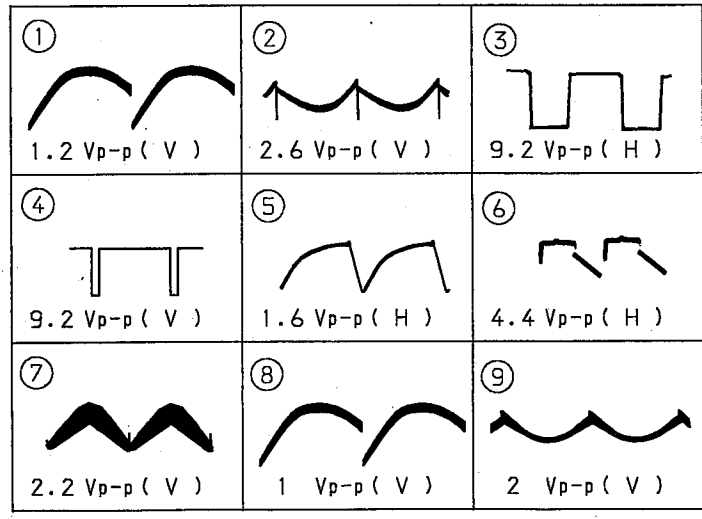
— E Board —



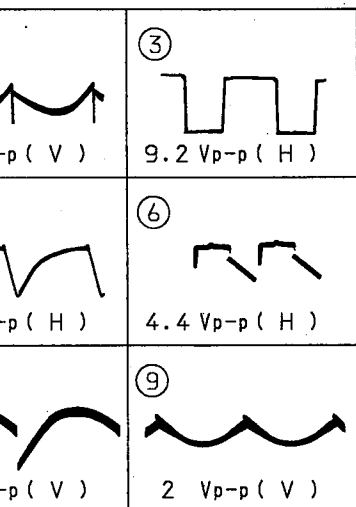
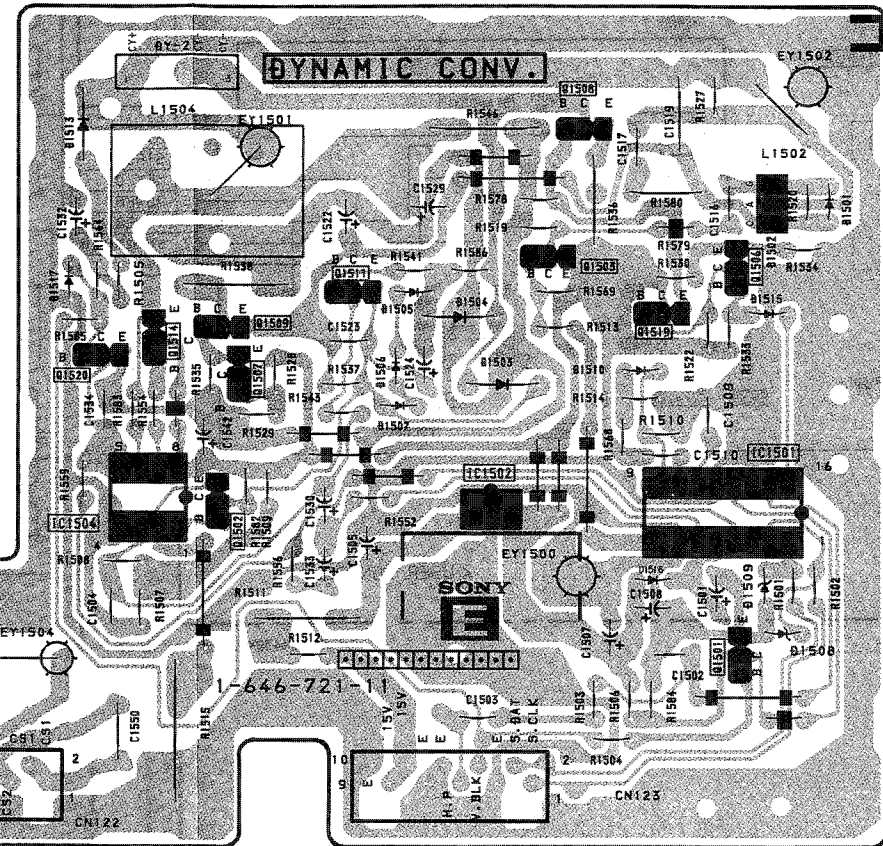
B-554439C...>E..

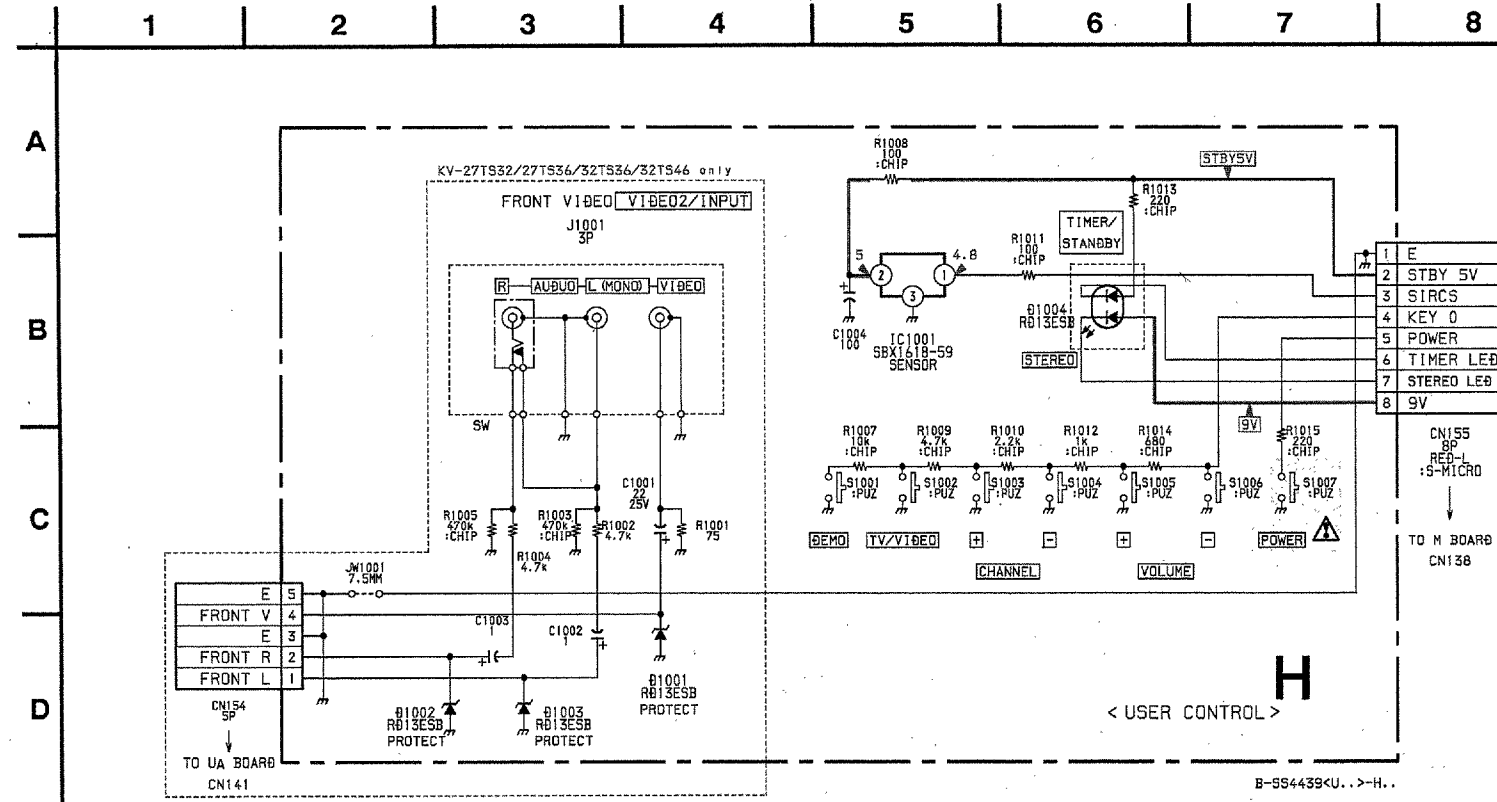


— E Board —

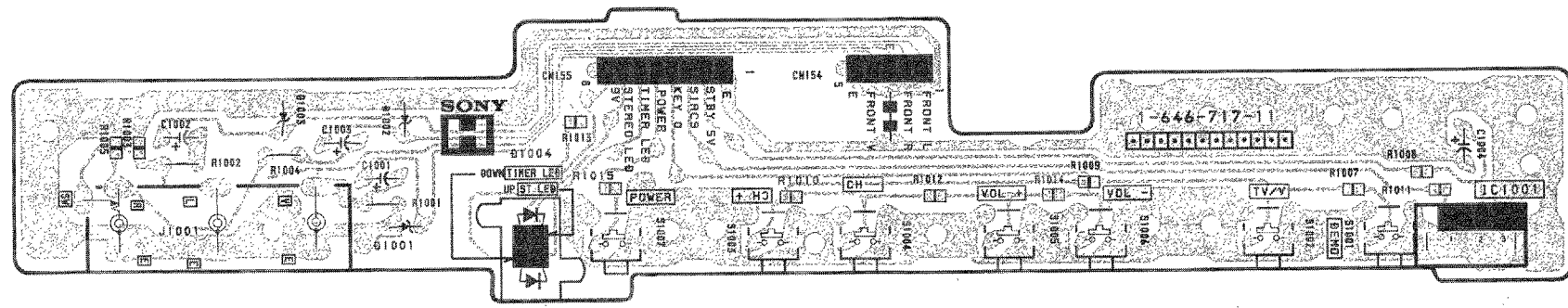


[MIC CONVERGENCE]

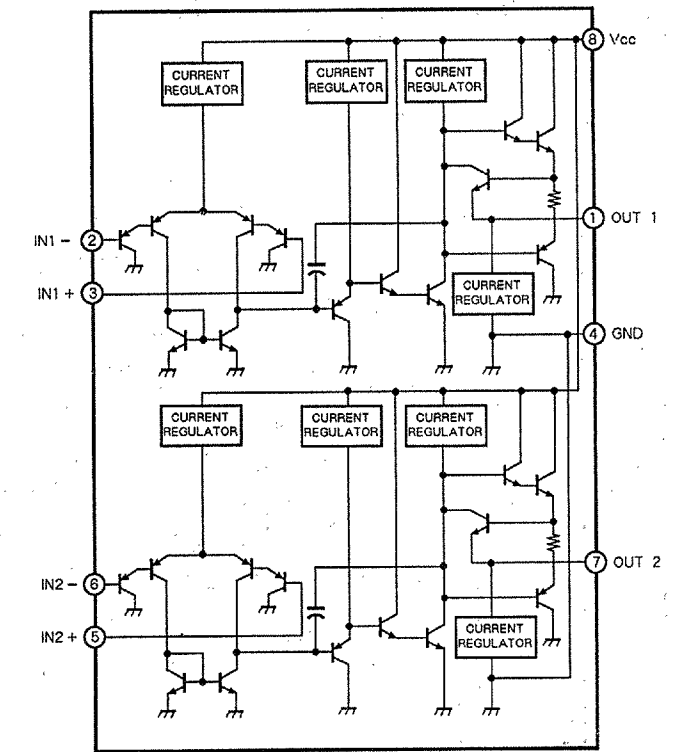
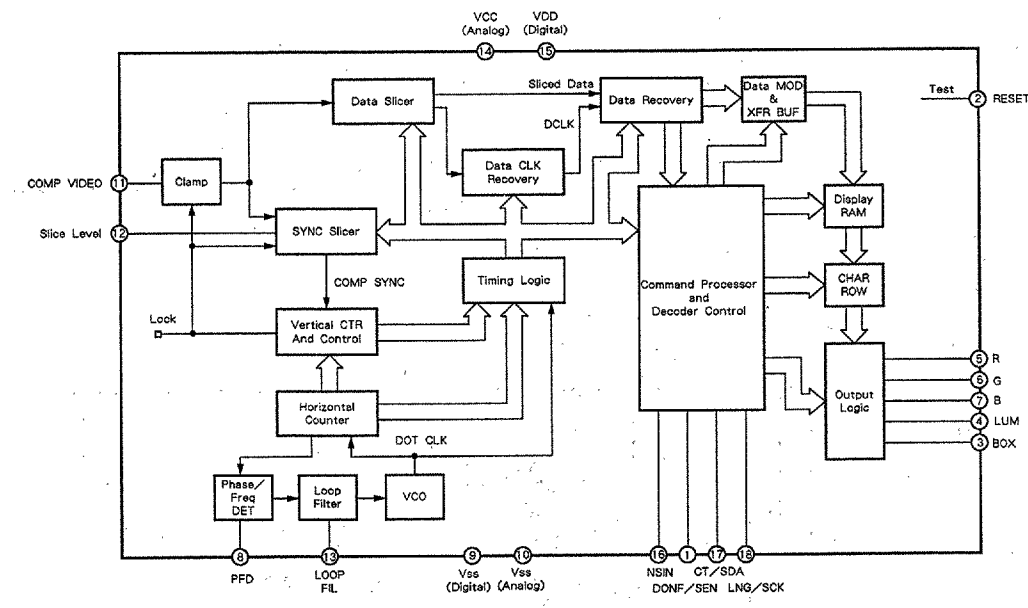




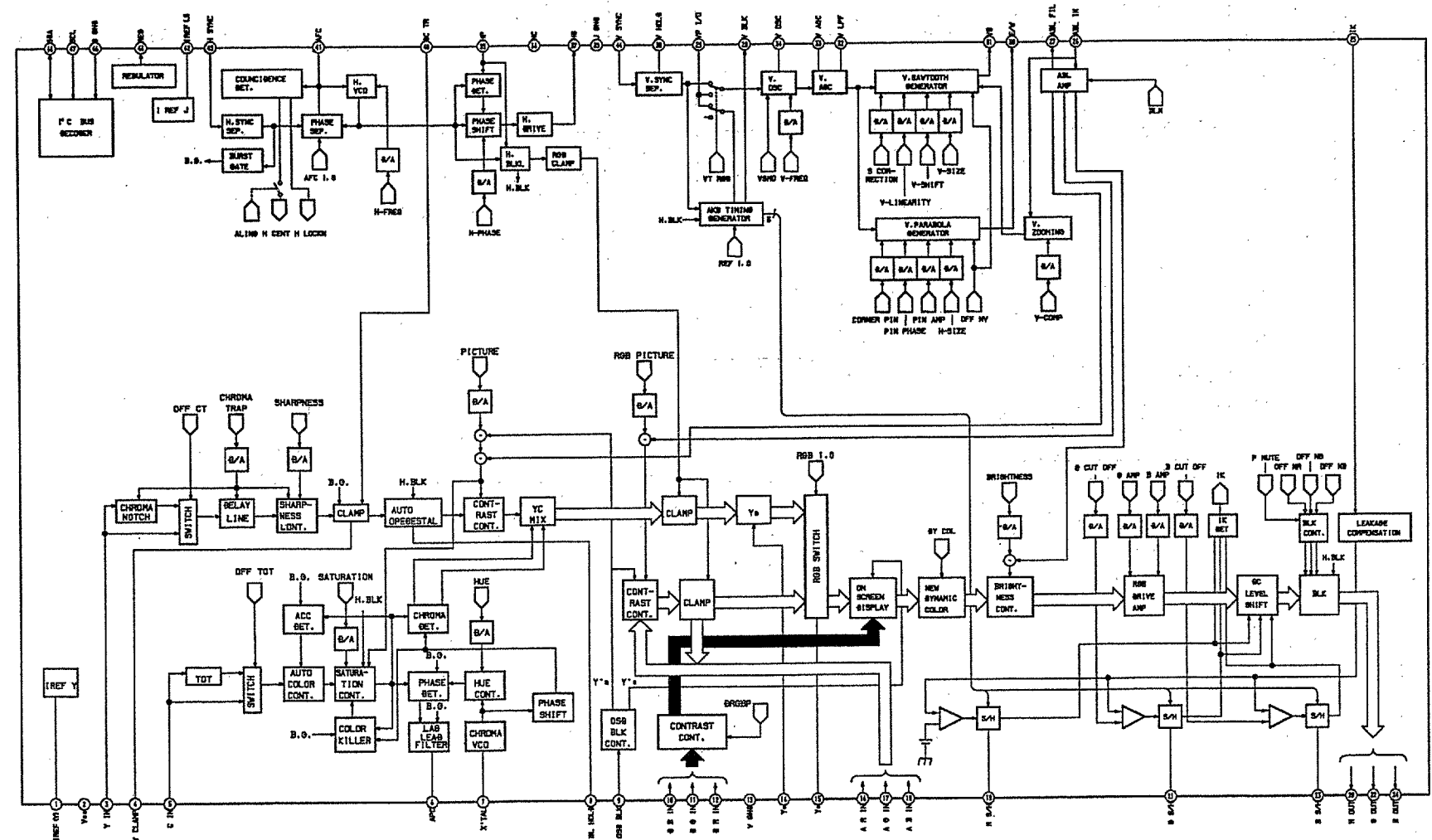
H [USER CONTROL]
— H Board —



M Board IC150 MC144143

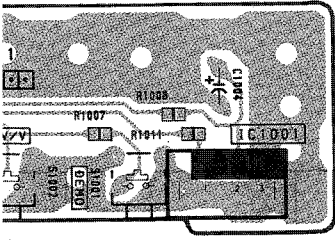


M Board IC301 CXA1465AS

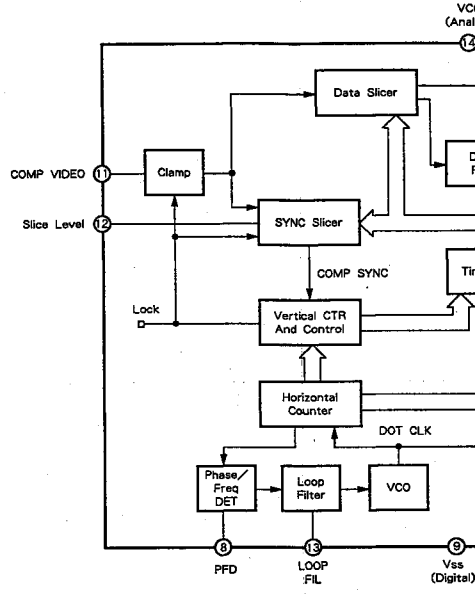


E
STBY 5V
SIRCS
KEY 0
POWER
TIMER LED
STEREO LED
9V

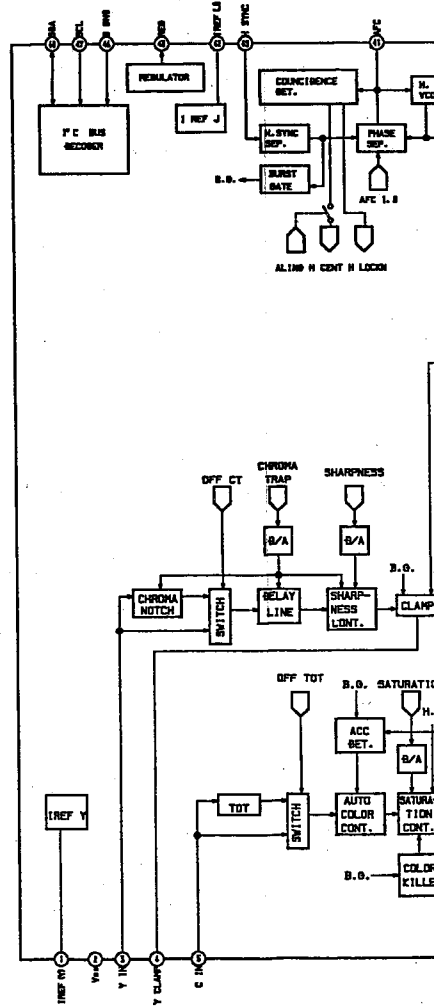
CN155
 BP
 RES-L
 :S-MICRO
 ↓
 TO M BOARD
 CN138



M Board IC150 MC144143



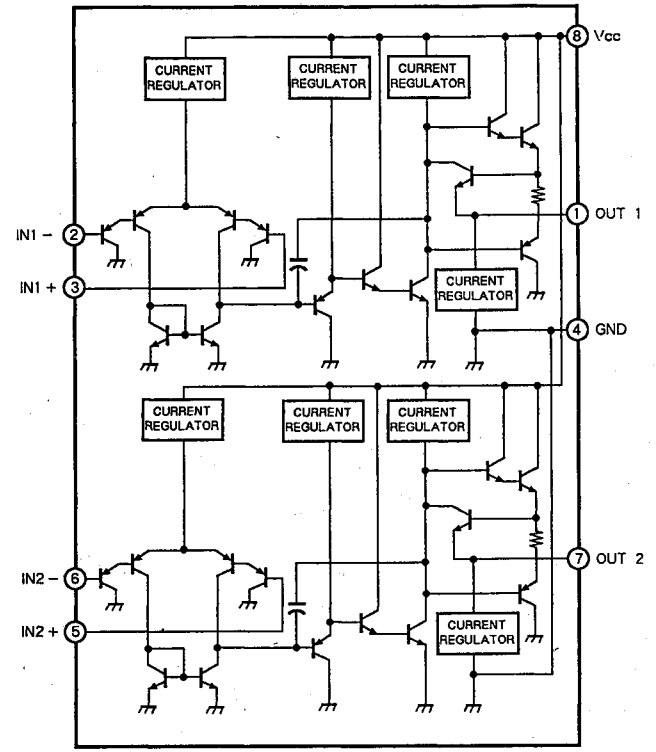
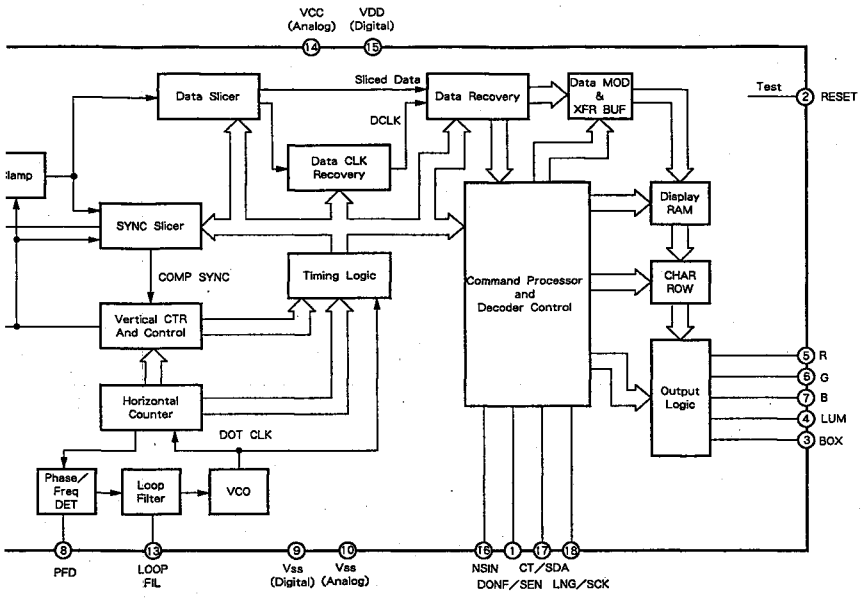
M Board IC301 CXA1465AS



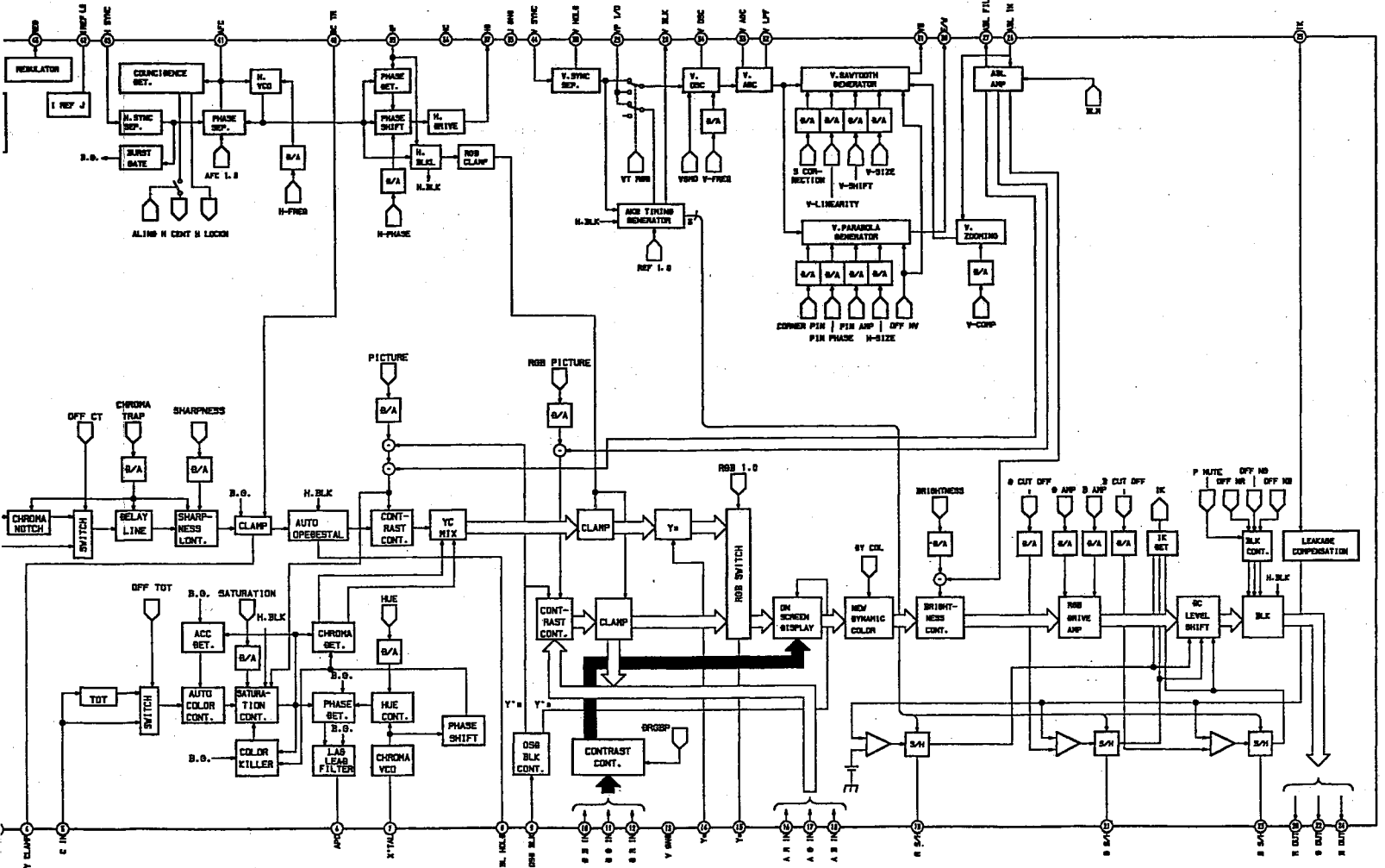
/27TS36
 RM-Y118
 KV-27TS29/27TS32/27TS36
 RM-Y116 RM-Y117 RM-Y118
 KV-32TS36/32TS46
 RM-Y118 RM-Y118
 SA-W200

M Board IC202 LM358PS

144143



C301 CXA1465AS

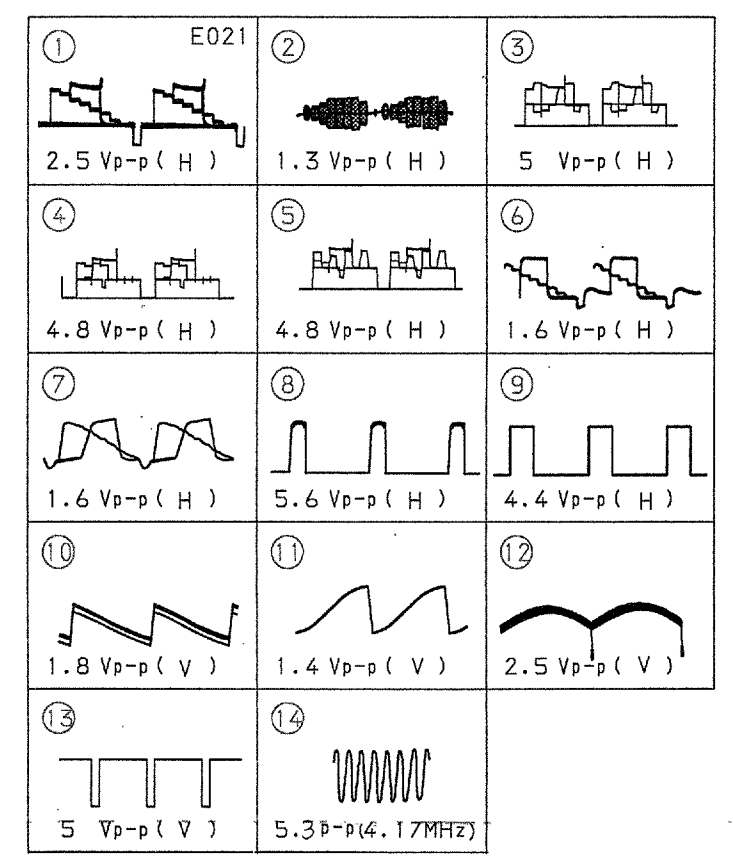


- M Board -

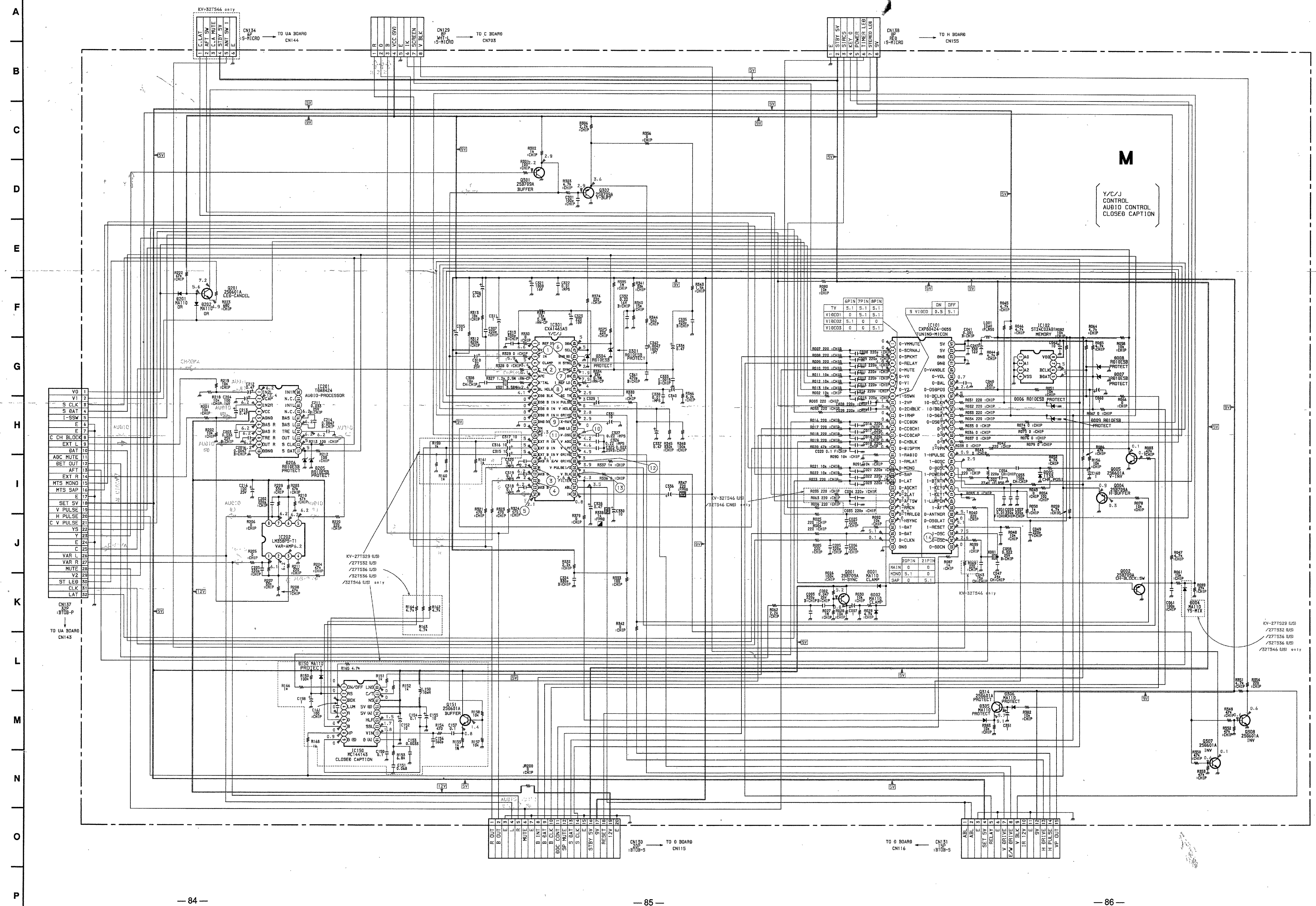
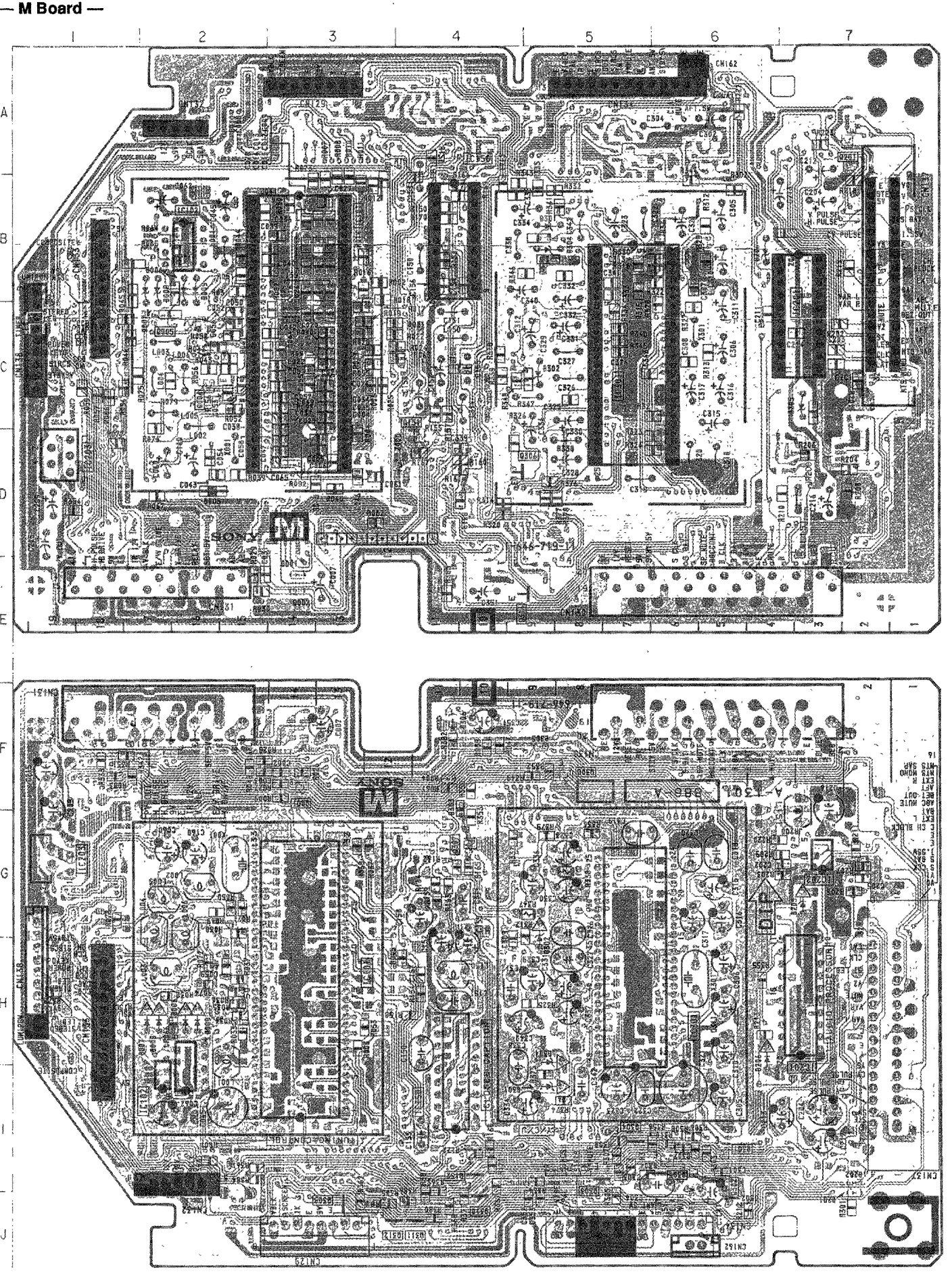
- M Board -

IC	DIODE
IC101	C-3
IC102	B-2
IC150	D-4
IC201	C-7
IC202	G-7
IC301	C-5
D001	E-3
D002	F-3
D004	F-4
D005	D-1
D006	B-1
D007	B-2
D008	B-2
D009	B-2
D150	C-4
D201	J-7
D202	I-7
D205	C-7
D206	B-6
D301	B-5
D304	B-5
D305	F-5
D306	F-4

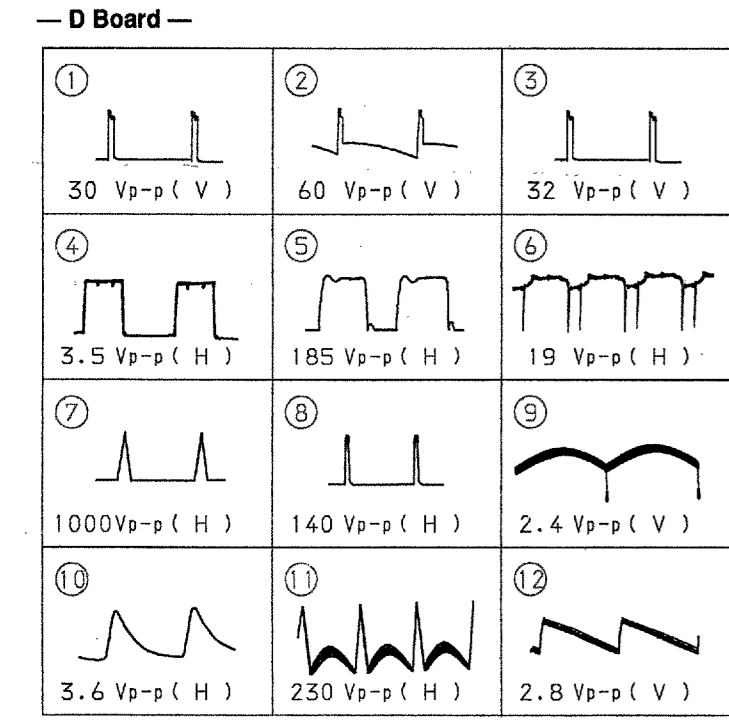
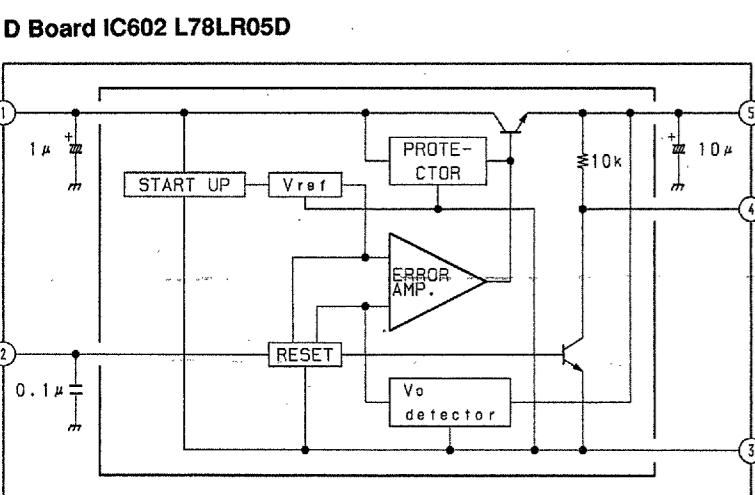
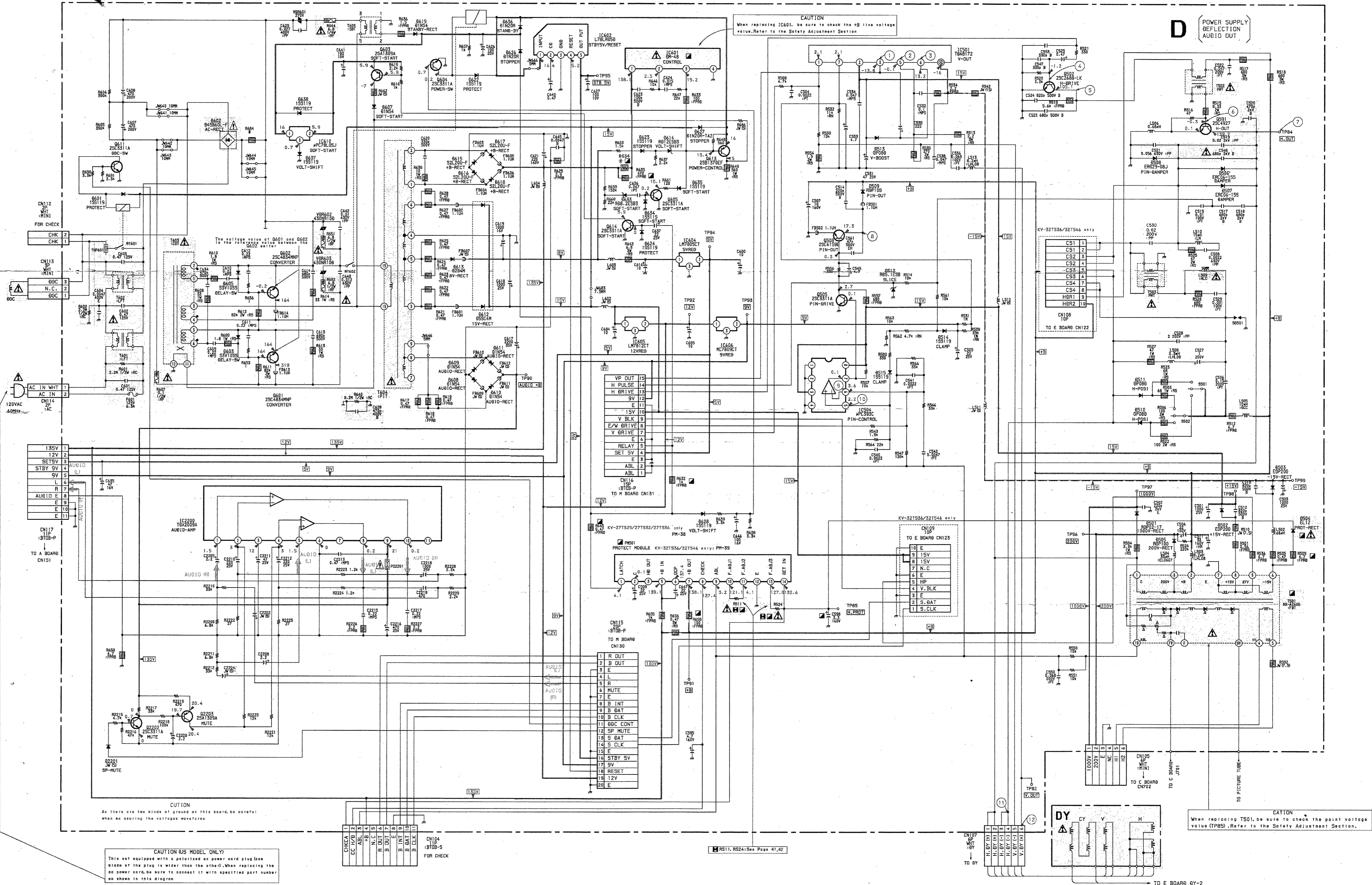
TRANSISTOR	DIODE
Q001	F-3
Q002	D-4
Q004	C-2
Q005	C-2
Q151	D-4
Q201	A-7
Q301	I-6
Q302	I-6
Q307	G-4
Q308	F-5
Q314	E-4



M Y/C/J, CONTROL, AUDIO CONTROL
CLOSED CAPTION



A B C D E F G H I J K L M N O P

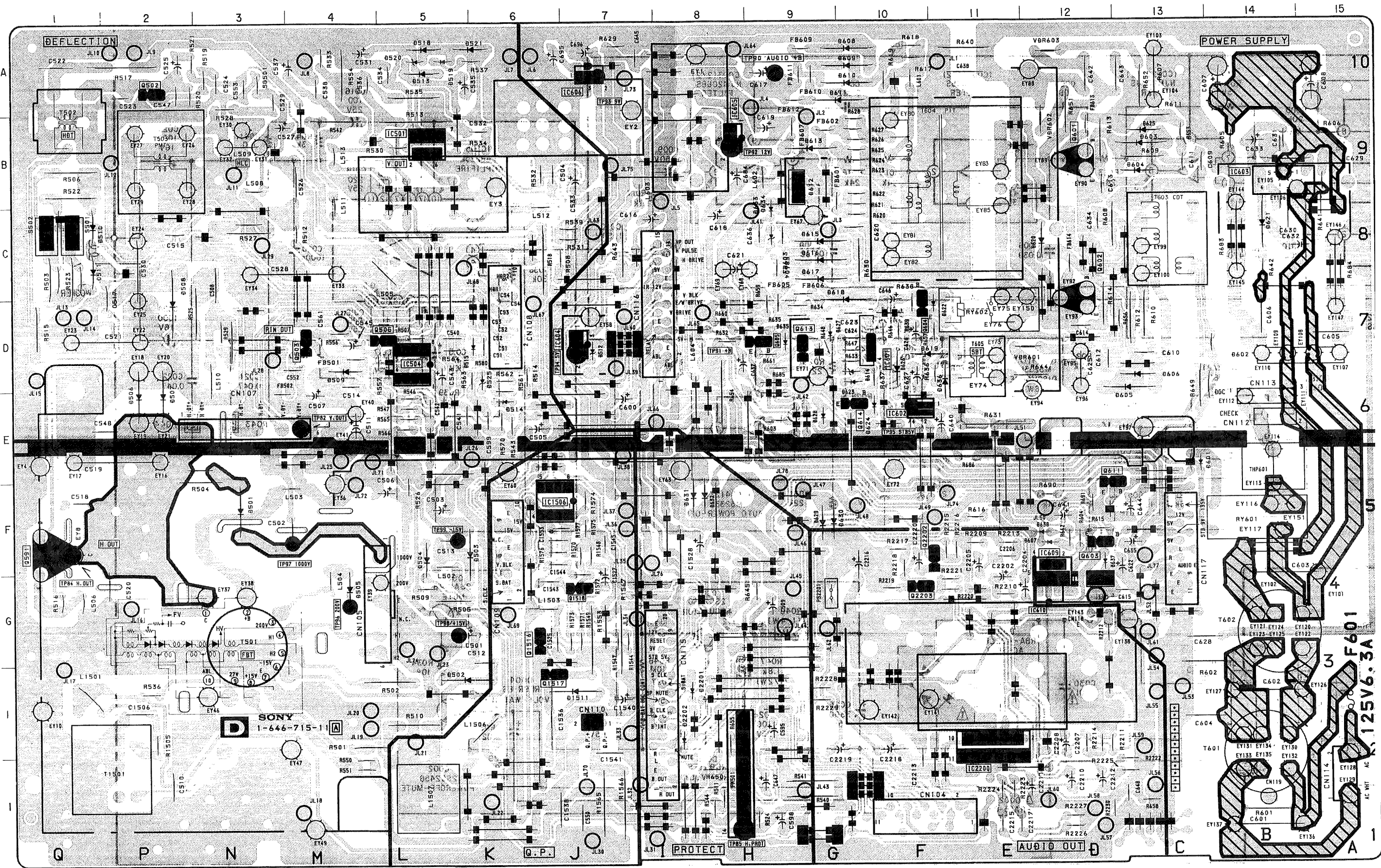


CAUTION (US MODEL ONLY) This set equipped with a polarized ac power cord plug (the three of the plug is wider than the other). When replacing the ac power cord, be sure to connect it with specified part number as shown in this diagram.

CAUTION When replacing IC601, be sure to check the +B bias voltage value. Refer to the Safety Adjustment Section.

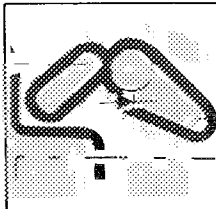
D POWER SUPPLY DEFLECTION AUDIO OUT

CAUTION When replacing T501, be sure to check the point voltage value (TP85). Refer to the Safety Adjustment Section.



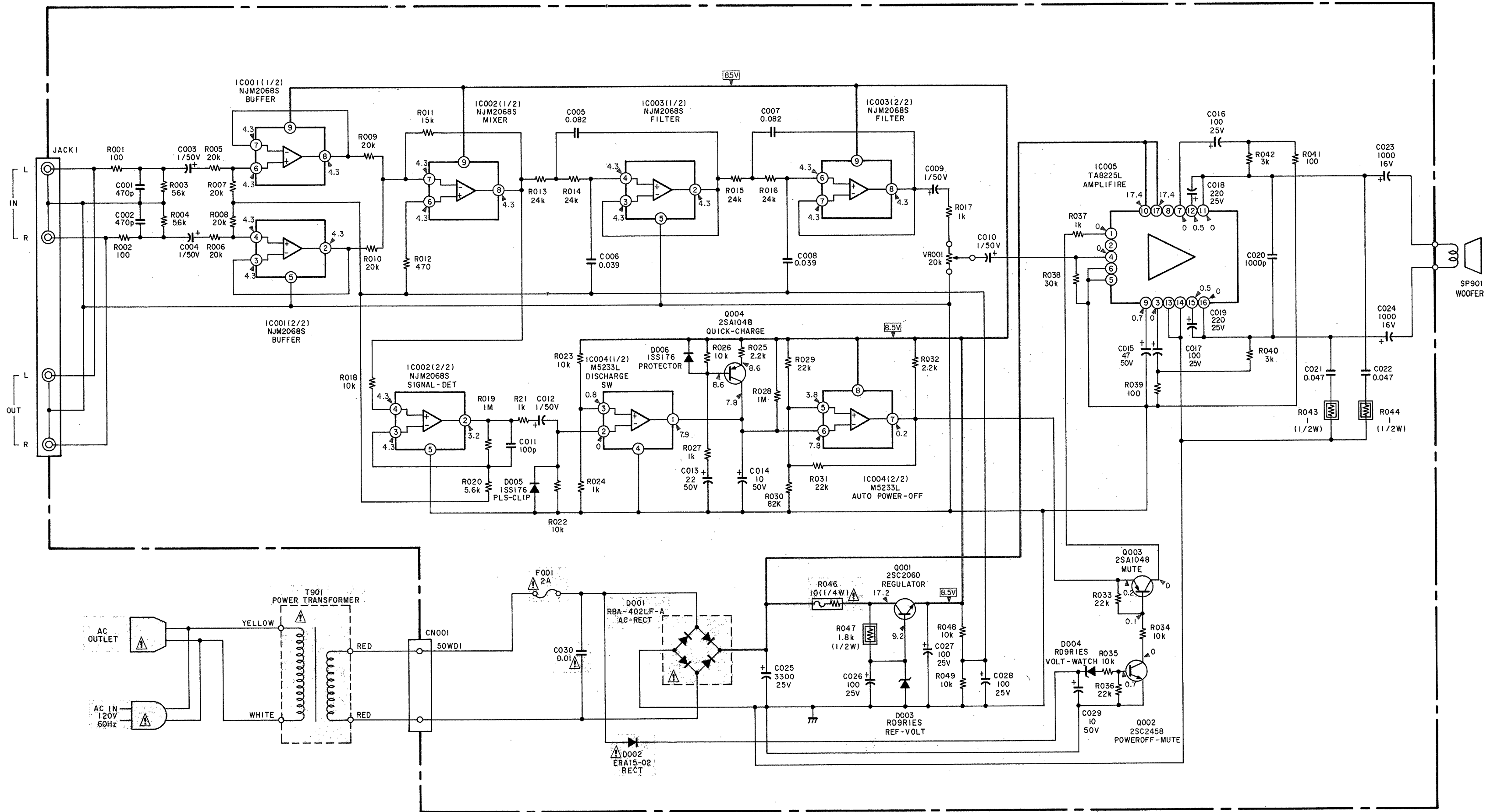
— D Board —

IC	D603 B-13
	D605 E-13
IC501 B-5	D607 F-12
IC504 D-5	D608 A-10
IC601 D-10	D609 A-10
IC602 E-10	D610 A-10
IC604 D-7	D611 A-10
IC605 B-8	D612 B-9
IC606 A-7	D613 B-9
IC610 G-12	D614 D-10
IC2200 I-11	D615 C-9
	D616 C-9
TRANSISTOR	D617 C-9
	D618 D-10
Q502 A-2	D619 D-10
Q503 D-4	D622 D-11
Q505 D-5	D623 D-10
Q591 F-1	D624 E-10
Q601 B-12	D626 D-10
Q602 C-12	D627 D-9
Q603 F-12	D628 E-9
Q604 D-10	D629 F-9
Q605 D-9	D630 F-9
Q611 F-12	D631 F-8
Q613 D-9	D632 F-8
Q614 E-10	D633 C-9
Q2202 F-10	D634 C-9
Q2203 G-10	D635 D-9
	D636 D-11
DIODE	D637 F-12
	D638 F-12
D501 F-3	D2201 H-8
D502 H-5	
D503 F-5	TEST POINT
D504 F-5	TP82 E-4
D505 G-4	TP84 F-1
D506 E-2	TP85 I-8
D507 E-2	TP90 A-9
D508 C-2	TP91 D-8
D509 D-4	TP92 B-8
D510 C-1	TP93 A-7
D511 C-1	TP94 D-7
D512 D-7	TP95 E-10
D513 A-5	TP96 G-4
D514 E-6	TP97 F-3
D515 D-6	TP98 G-5
D601 E-13	TP99 F-5
D602 D-14	



NOTE:

The circuit indicated as left contains high voltage of over 600 Vp-p. Care must be paid to prevent an electric shock in inspection or repairing.

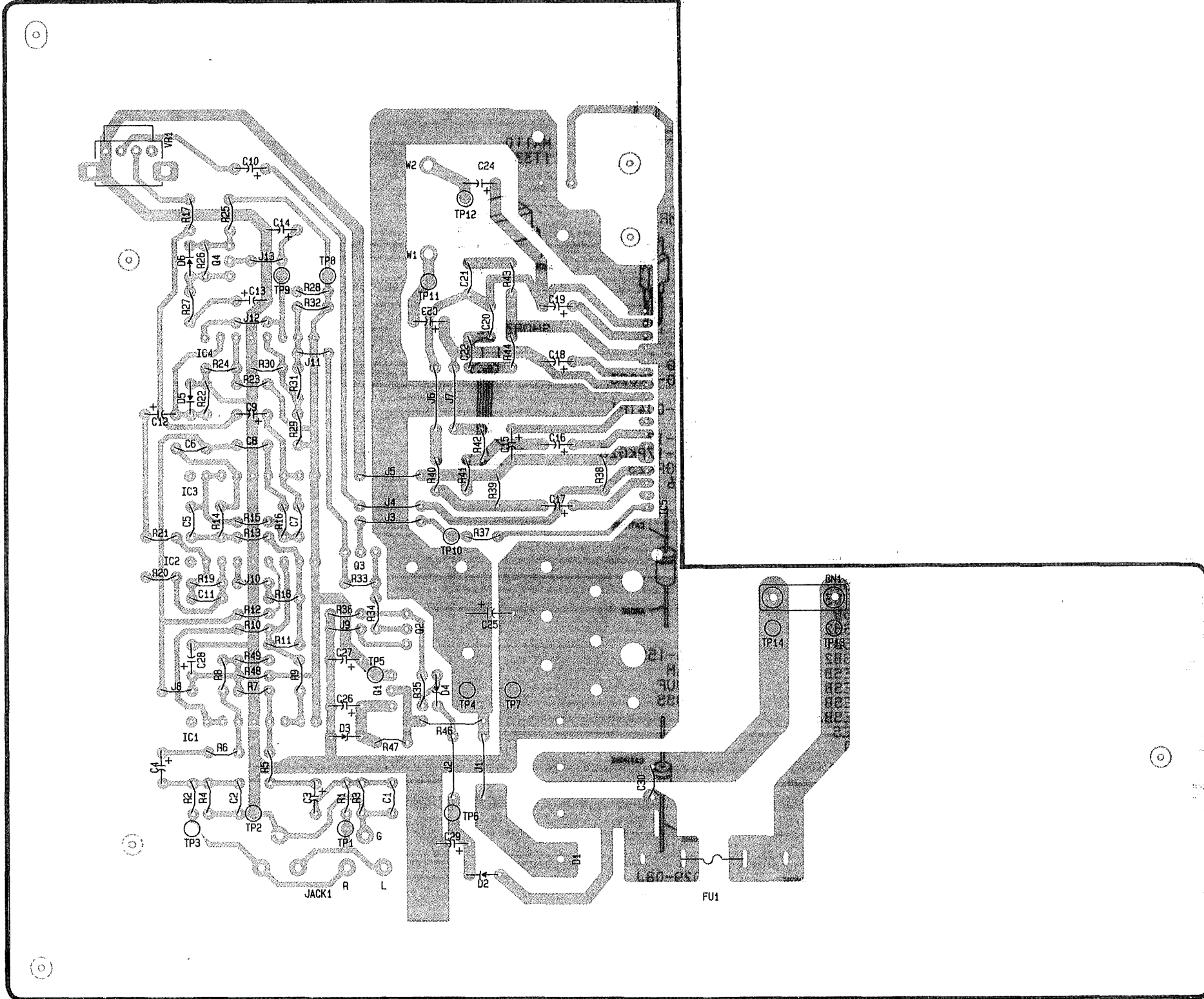


SUPER WOOFER

— SUPER WOOFER Board —

KV-27TS29/27TS32/27TS36
RM-Y116 RM-Y117 RM-Y118
KV-32TS36/32TS46
RM-Y118 RM-Y118
SA-W200

KV-27TS29/27TS32/27TS36
RM-Y116 RM-Y117 RM-Y118
KV-32TS36/32TS46
RM-Y118 RM-Y118
SA-W200

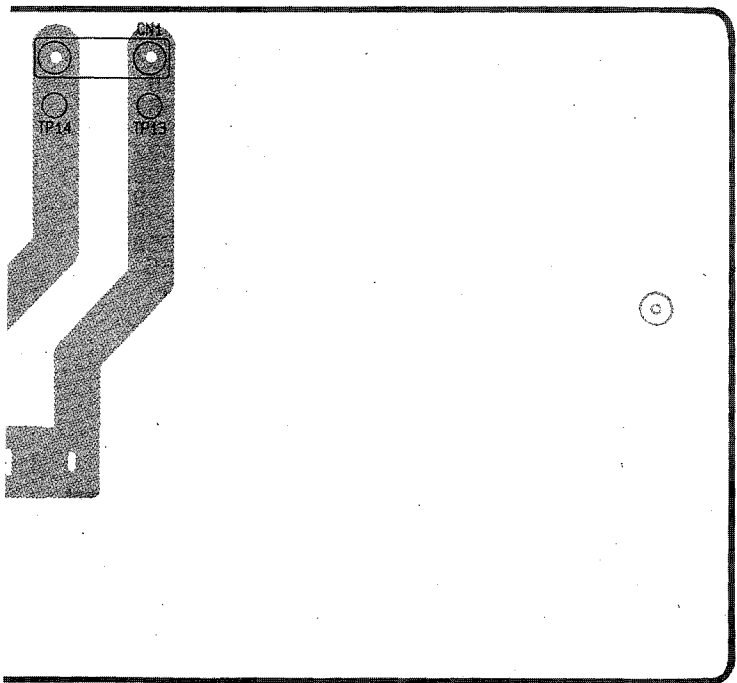


9/27TS32/27TS36
6 RM-Y117 RM-Y118

KV-27TS29/27TS32/27TS36
RM-Y116 RM-Y117 RM-Y118

6/32TS46
8 RM-Y118
SA-W200

KV-32TS36/32TS46
RM-Y118 RM-Y118
SA-W200

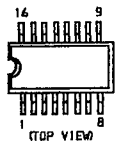


KV-27TS29/27TS32/27TS36
 RM-Y116 RM-Y117 RM-Y118
 KV-32TS36/32TS46
 RM-Y118 RM-Y118
 SA-W200

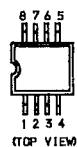
KV-27TS29/27TS32/27TS36
 RM-Y116 RM-Y117 RM-Y118
 KV-32TS36/32TS46
 RM-Y118 RM-Y118
 SA-W200

6-5. SEMICONDUCTORS

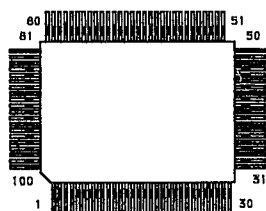
BU4053BF
 CXA1315M



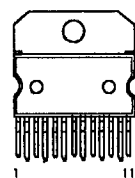
LM358PS
 MM1114XFF
 MM1118XFF



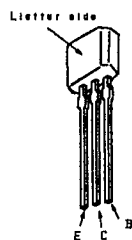
MB86144



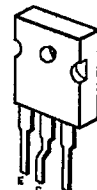
TDA2009A



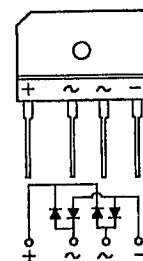
2SA1175
 2SA1309A
 2SC2785-HFE
 2SC3311A



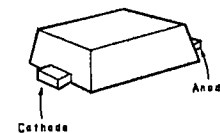
2SC3271F



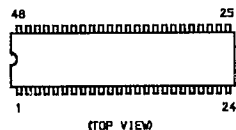
Ø4SB60L
 RBA-402LF-A



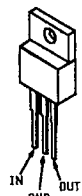
HVU359-TRU



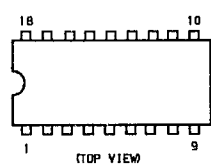
CXA1465AS
 CXA1545AS



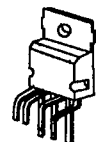
LM7805CT
 LM7812CT
 MC7809CT
 RC7809FA



MC144143
 Z86128120PSC



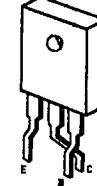
TDA8172



2SB1370
 2SC4159
 2SD2012
 2SD2061



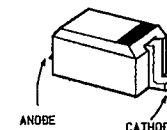
2SC4834MNP



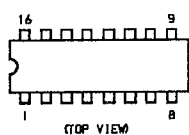
Ø5SC4MR



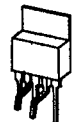
MA110
 1T33



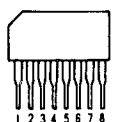
CXA1526P



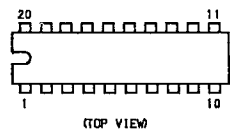
L78LR05Ø-MA



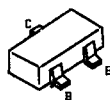
M5233L



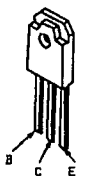
TDA8429



2SB709A
 2SD601A

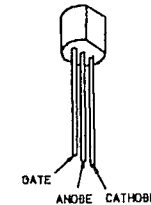


2SC4927

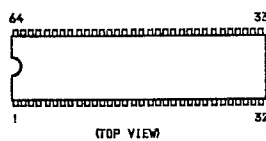


EGR20G
 EGR20G-TKG23
 EL1Z
 ERA81-004TP1
 GØ8Ø
 RGP02-17
 RGP02-17PKG23
 RGP10GPK23
 1SS176

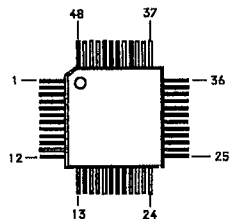
SHØR3Ø42



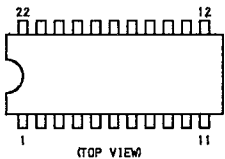
CXP80424-SV4397



MB3512PF-EF



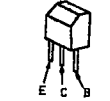
M52470AP



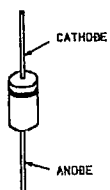
TS7SU04F



2SB734
 2SD774



Ø1NS4
 Ø1N2ØR
 ERA15-02
 ERA82-004
 ERA83-006
 RØ10ESB
 RØ10ESB2
 RØ12ESB3
 RØ13ESB
 RØ13ESB2
 RØ33ESB1
 RØ33ESB2
 RØ3.6ESB1
 RØ5.1ESB
 RØ5.1ESB1
 RØ8.2ESB3
 RØ9R1ES
 1SS119

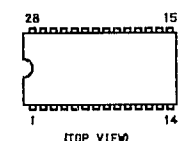


ØM-48
 ØM-38
 ØM-39

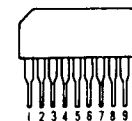


MARKING SIDE VIEW

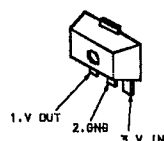
MB40176PF-EF



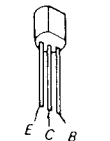
NJM2068S



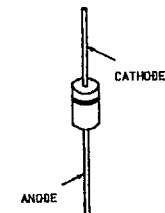
µPC78L05T



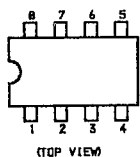
2SC2060



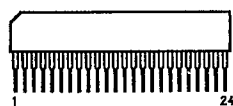
ERC06-15S
 RU-3AM
 S2L20UF
 S3V10SS



LM358P
 µPC358C
 µPC393C
 24C02A1/P



MB81461-12-PSZ-G-BF2



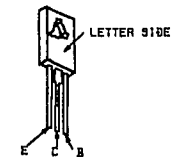
SBX1618-51



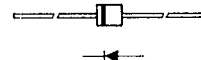
2SA1091
 2SA1091R



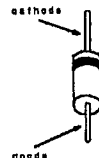
2SC2688



Ø2S4MF
 Ø2S4MTA1

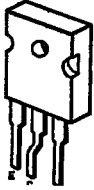


ERØ29-Ø8J

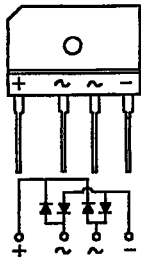


KV-27TS29/27TS32/27TS36
 RM-Y118 RM-Y117 RM-Y118
 KV-32TS36/32TS46
 RM-Y118 RM-Y118
 SA-W200

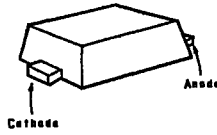
2SC3271F



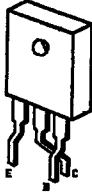
Ø4SB60L
 RBA-402LF-A



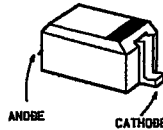
HVU359-TRU



2SC4834MNP



MA110
 1T33



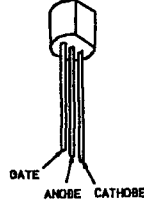
Ø5SC4MR



2SC4927

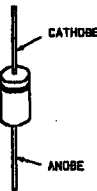


SHOR3Ø42

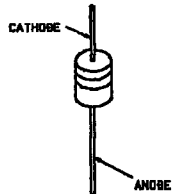
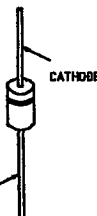


EGR20G
 EGR20G-TKG23
 EL1Z
 ERA81-004TP1
 G08Ø
 RGP02-17
 RGP02-17PKG23
 RGP10GPK23
 1SS176

Ø1NS4
 Ø1N20R
 ERA15-02
 ERA82-004
 ERA83-006
 RØ10ESB
 RØ10ESB2
 RØ12ESB3
 RØ13ESB
 RØ13ESB2
 RØ33ESB1
 RØ33ESB2
 RØ3.6ESB1
 RØ5.1ESB
 RØ5.1ESB1
 RØ8.2ESB3
 RØ9R1E5
 1SS119



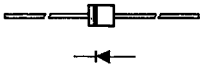
ERC06-15S
 RU-3AM
 S2L20UF
 S3V10SS



ERØ29-Ø8J



Ø2S4MF
 Ø2S4MTA1



SECTION 7 EXPLODED VIEWS

NOTE:

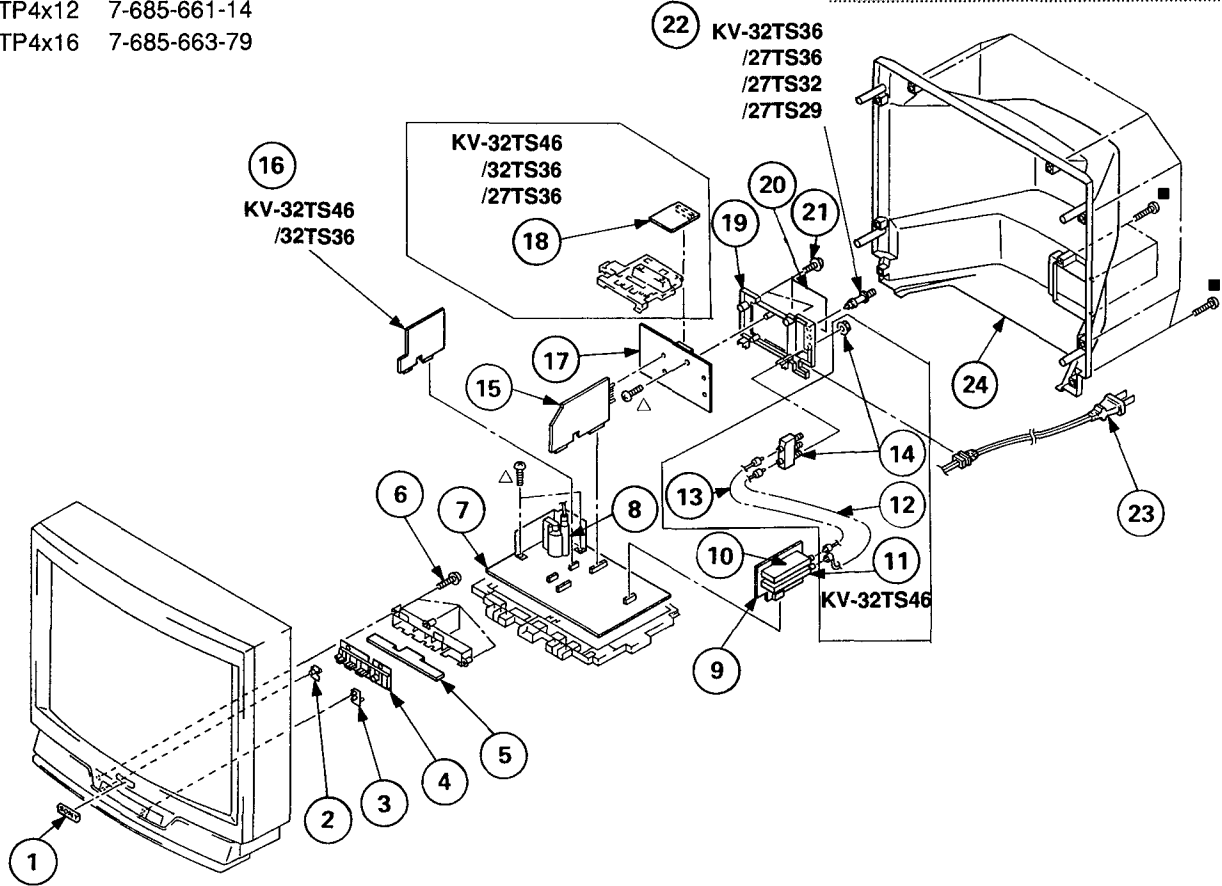
- Items with no part number and no description are not stocked because they are seldom required for routine service
- The construction parts of an assembled part are indicated with a collation number in the remark column
- Items marked "*" are not stocked since they are seldom required for routine service. Some delay should be anticipated when ordering these items

The components identified by shading and mark **△** are critical for safety. Replace only with part number specified.

Les composants identifiés par une trame et une marque **△** sont critiques pour la sécurité. Ne les remplacer que par une pièce portant le numéro spécifié.

7-1. CHASSIS

- △ : BVTP4x12 7-685-661-14
 ■ : BVTP4x16 7-685-663-79



REF. NO.	PART NO.	DESCRIPTION	REMARK	REF. NO.	PART NO.	DESCRIPTION	REMARK
1	4-394-048-01	EMBLEM (NO.9), SONY		15	*A-1306-433-A	M BOARD, COMPLETE	(KV-32TS46 (CND))
2	4-039-458-01	FILTER, REMOTE		15	*A-1306-434-A	M BOARD, COMPLETE	(KV-32TS46 (US))
3	4-039-457-01	GUIDE, LED		16	*A-1341-622-A	E BOARD, COMPLETE	(KV-32TS46/32TS36)
4	4-039-525-01	BUTTON, MULTI		17	*A-1394-415-A	UA BOARD, COMPLETE	(KV-32TS36/27TS36)
5	*1-646-717-11	H BOARD		17	*A-1394-441-A	UA BOARD, COMPLETE	(KV-27TS32)
6	4-319-520-11	SCREW, SPECIAL (+PW4X30)		17	*A-1394-437-A	UA BOARD, COMPLETE	(KV-27TS29)
7	*A-1346-112-A	D BOARD, COMPLETE	(KV-32TS46/32TS36)	17	*A-1394-435-A	UA BOARD, COMPLETE	(KV-32TS46)
7	*A-1346-129-A	D BOARD, COMPLETE	(KV-27TS36/27TS32/27TS29)	18	*A-1195-062-A	P BOARD, COMPLETE	(KV-32TS46/32TS36/27TS36)
8	*1-453-146-11	TRANSFORMER ASSY. FLYBACK	(KV-269483)	19	4-039-517-01	TERMINAL BOARD, ANTENNA	(KV-32TS46)
9	*A-1297-065-A	A BOARD, COMPLETE	(KV-32TS36/27TS36/27TS32/27TS29)	19	4-039-524-01	TERMINAL BOARD, ANTENNA	(KV-32TS36/27TS36/27TS32/27TS29)
9	*A-1297-112-A	A BOARD, COMPLETE	(KV-32TS46)	20	4-040-090-01	LABEL, TERMINAL	(KV-27TS32)
10	*1-598-039-00	TUNER BTZ-W4401	(KV-32TS46)	20	4-039-903-01	LABEL, TERMINAL	(KV-27TS29)
11	*1-598-047-00	TUNER BTZ-W4401	(KV-32TS46)	20	4-039-834-01	LABEL, TERMINAL	(KV-32TS46/32TS36/27TS36)
12	*1-751-136-11	CABLE, PIN	(KV-32TS46)	21	4-382-854-11	SCREW (M3X10), P, SW (+)	
13	*1-751-135-11	CABLE, PIN	(KV-32TS46)	22	1-573-657-11	PLUG, F-PIN	(KV-32TS36/27TS36/27TS32/27TS29)
14	1-417-178-11	SELECTOR, ANTENNA (AS-2)	(KV-32TS46)	23	1-751-059-11	CORD, POWER (WITH CONNECTOR) (10A/120V)	
15	*A-1306-427-A	M BOARD, COMPLETE	(KV-32TS36/27TS36/27TS32/27TS29 (US))	24	4-039-463-01	COVER, REAR	(KV-27TS36/27TS32/27TS29)
15	*A-1306-432-A	M BOARD, COMPLETE	(KV-32TS36 (CND)/27TS36 (CND)/27TS32/27TS29 (CND))	24	4-039-634-01	COVER, REAR	(KV-32TS46/32TS36)

KV-27TS29/27TS32/27TS36
RM-Y116 RM-Y117 RM-Y118

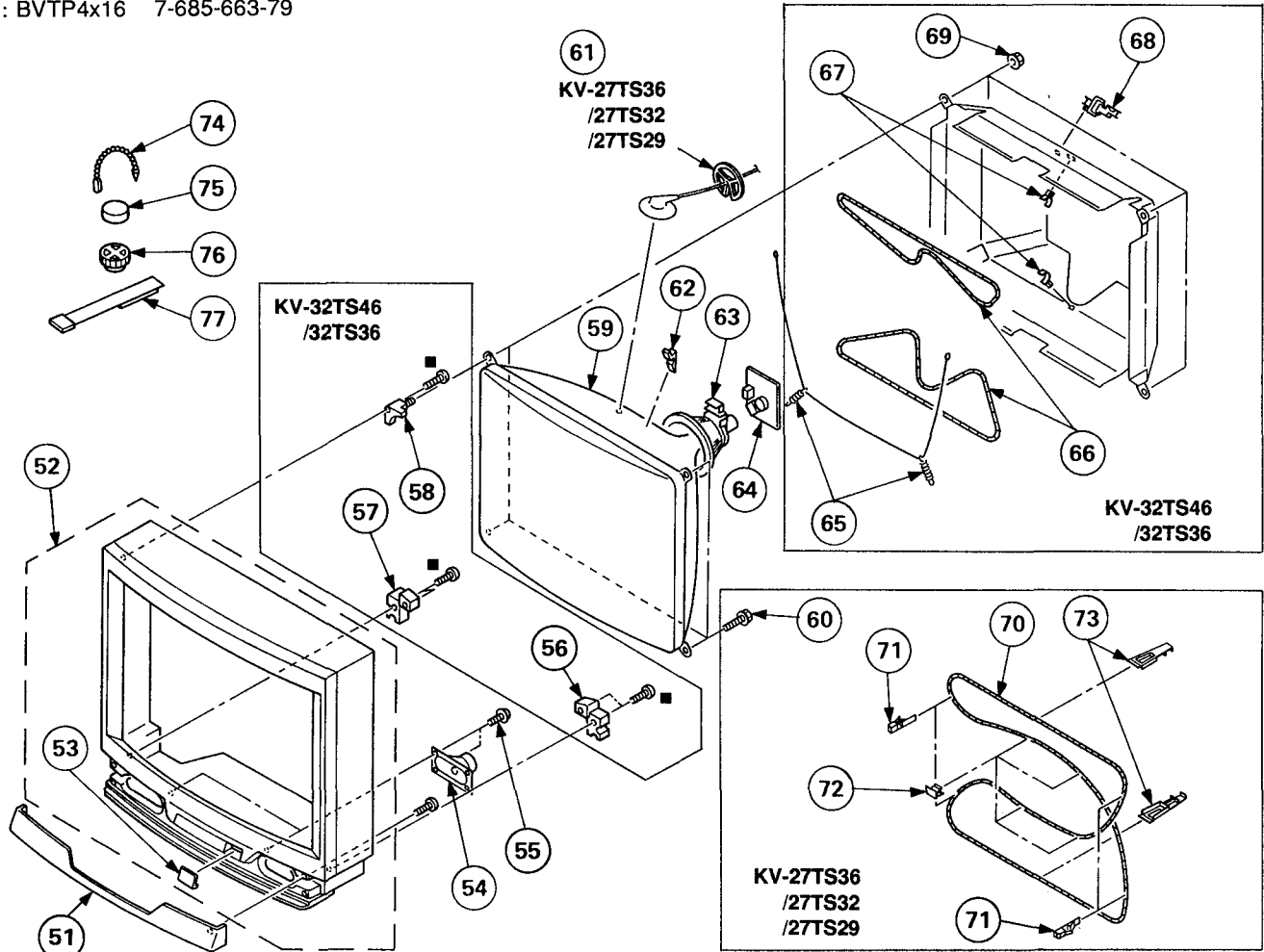
KV-32TS36/32TS46
RM-Y118 RM-Y118
SA-W200

Les composants identifiés par une trame et une
marque Δ sont critiques pour la sécurité.
Ne les remplacer que par une pièce portant le
numéro spécifique.

The components identified by shading and mark Δ
are critical for safety.
Replace only with part number specified.

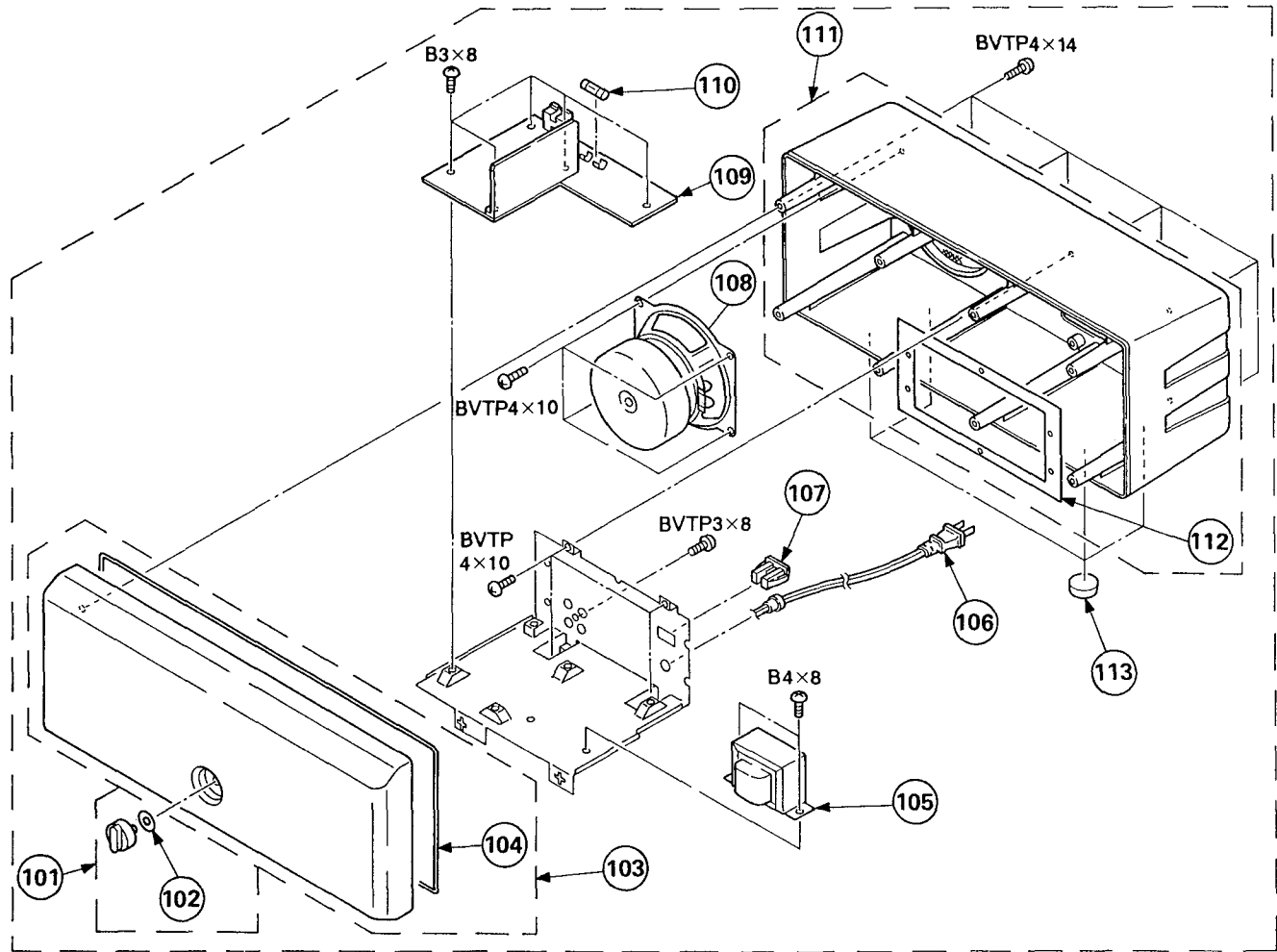
7-2. PICTURE TUBE

■ : BVTP4x16 7-685-663-79



REF. NO.	PART NO.	DESCRIPTION	REMARK	REF. NO.	PART NO.	DESCRIPTION	REMARK
51	X-4031-018-1	GRILLE ASSY, SPEAKER (KV-32TS46/32TS36)		62	3-704-495-01	SPACER, DY (KV-32TS46/32TS36)	
51	X-4031-029-1	GRILLE ASSY, SPEAKER (KV-27TS36/27TS32/27TS29)		63	Δ 1-451-315-41	DEFLECTION YOKE (Y34FXA) (KV-32TS46/32TS36)	
52	X-4031-039-1	BEZNET ASSY (KV-27TS36)	53	63	Δ 1-451-275-41	DEFLECTION YOKE (Y34FXA) (KV-27TS36/27TS32/27TS29)	
52	X-4031-038-2	BEZNET ASSY (KV-27TS32)	53	64	*A-1331-264-A	C BOARD, COMPLETE	
52	X-4031-026-1	BEZNET ASSY (KV-27TS29)	53	65	4-036-329-01	SPRING (B), TENSION (KV-27TS36/27TS32/27TS29)	
52	X-4031-019-1	BEZNET ASSY (KV-32TS36)	53	66	Δ 1-402-952-11	COIL, DEMAGNETIZATION (KV-32TS46/32TS36)	
52	X-4031-019-2	BEZNET ASSY (KV-32TS46)	53	67	*4-371-629-01	STOPPER, WIRE (KV-32TS46/32TS36)	
53	4-039-462-01	DOOR, CONTROL (KV-32TS36/27TS36)	53	68	4-033-681-01	HOLDER, LEAD (KV-32TS46/32TS36)	
53	4-039-462-11	DOOR, CONTROL (KV-27TS32)	53	69	4-387-204-01	NUT, SPECIAL, PICTURE TUBE (KV-32TS46/32TS36)	
53	4-039-459-01	PANEL (KV-27TS29)	53	70	1-406-726-11	COIL, DEGAUSSING (KV-27TS36/27TS32/27TS29)	
53	4-039-462-21	DOOR, CONTROL (KV-32TS46)	53	71	4-040-388-01	HOLDER(S), DGC (KV-27TS36/27TS32/27TS29)	
54	1-544-549-11	SPEAKER	53	72	4-040-537-01	HOLDER(A), DGC (KV-27TS36/27TS32/27TS29)	
55	4-388-477-01	SCREW(3X16), TAPPING, +BV WASHER		73	4-040-387-01	HOLDER(M), DGC (KV-27TS36/27TS32/27TS29)	
56	*4-031-428-01	SUPPORT (RIGHT) (PICTURE TUBE) (KV-32TS46/32TS36)		74	4-308-870-00	CLIP, LEAD WIRE	
57	*4-031-430-01	SUPPRT (LEFT) (PICTURE TUBE) (KV-32TS46/32TS36)		75	1-452-032-00	MAGNET, DISK	
58	4-031-429-01	BRACKET, PICTURE TUBE		76	1-452-094-00	MAGNET, ROTATABLE; 15MM ϕ	
59	Δ 8-733-723-05	PICTURE TUBE (A80JY50X) (KV-32TS46/32TS36)		77	X-4306-312-0	PERMALLOY ASSY, CONVERGENCE	
59	Δ 8-733-838-05	PICTURE TUBE (A66KJ150X) (KV-27TS36/27TS32/27TS29)					
60	4-390-505-01	SCREW(7), TAPPING (KV-27TS36/27TS32/27TS29)					
61	*3-704-372-01	HOLDER, HV CABLE (KV-27TS36/27TS32/27TS29)					

7-3. SPEAKER (KV-32TS46 (US/CND))



The components identified by shading and mark Δ are critical for safety. Replace only with part number specified.

Les composants identifiés par une trame et une marque Δ sont critiques pour la sécurité. Ne les remplacer que par une pièce portant le numéro spécifié.

REF.NO.	PART NO.	DESCRIPTION	REMARK	REF.NO.	PART NO.	DESCRIPTION	REMARK
101	9-904-749-01	VOLUME NOB		102	108	9-900-278-01	SPEAKER
102	9-904-748-01	FELT WASHER		109	9-904-754-01	AMP KIT (TWY1019-A)	
103	9-904-745-01	FRONT CASE		110	9-904-752-01	FUSE	
104	9-904-747-01	ENCLOSURE SEALANT TUBE		111	9-904-744-01	CABINET	112
105	9-904-751-01	TRANSFORMER, POWER		112	9-904-746-01	ENCLOSURE SEALANT PACKING	
106	9-904-750-01	CORD, POWER		113	4-040-527-01	FOOT	
107	9-904-753-01	AC OUTLET					

SECTION 8

ELECTRICAL PARTS LIST

P

NOTE:

The components identified by shading and mark Δ are critical for safety. Replace only with part number specified.

Les composants identifiés par une trame et une marque Δ sont critiques pour la sécurité. Ne les remplacer que par une pièce portant le numéro spécifique.

• Items marked "*" are not stocked since they are seldom required for routine service. Some delay should be anticipated when ordering these items.

• All variable and adjustable resistors have characteristic curve B, unless otherwise noted.

RESISTORS

• All resistors are in ohms.
• F: nonflammable.

When indicating parts by reference number, please include the board name.

CAPACITORS

• MF: μ F, PF: μ MF

COILS

• MMH: mH, UH: μ H

• The components identified by Δ in this manual have been carefully factory-selected for each set in order to satisfy regulations regarding X-ray radiation.
Should replacement be required, replace only with the value originally used.

REF. NO.	PART NO.	DESCRIPTION	REMARK	REF. NO.	PART NO.	DESCRIPTION	REMARK
*A-1195-062-A	P BOARD, COMPLETE	(KV-32TS36/32TS46 /27TS36)		C3249	1-163-117-00	CERAMIC CHIP 100PF	5% 50V
				C3250	1-163-113-00	CERAMIC CHIP 68PF	5% 50V
				C3251	1-164-232-11	CERAMIC CHIP 0.01MF	10% 50V
				C3252	1-163-103-00	CERAMIC CHIP 27PF	5% 50V
	<CAPACITOR>			C3253	1-163-101-00	CERAMIC CHIP 22PF	5% 50V
C3201	1-124-477-11	ELECT 47MF	20% 16V	C3254	1-163-141-00	CERAMIC CHIP 0.001MF	5% 50V
C3203	1-164-004-11	CERAMIC CHIP 0.1MF	10% 25V	C3255	1-163-101-00	CERAMIC CHIP 22PF	5% 50V
C3204	1-124-907-11	ELECT 10MF	20% 50V	C3256	1-164-232-11	CERAMIC CHIP 0.01MF	10% 50V
C3205	1-124-907-11	ELECT 10MF	20% 50V	C3257	1-163-117-00	CERAMIC CHIP 100PF	5% 50V
C3206	1-124-907-11	ELECT 10MF	20% 50V	C3258	1-163-113-00	CERAMIC CHIP 68PF	5% 50V
C3207	1-163-117-00	CERAMIC CHIP 100PF	5% 50V	C3259	1-163-111-00	CERAMIC CHIP 56PF	5% 50V
C3208	1-163-117-00	CERAMIC CHIP 100PF	5% 50V	C3260	1-163-119-00	CERAMIC CHIP 120PF	5% 50V
C3209	1-123-382-00	ELECT 3.3MF	20% 50V	C3261	1-163-141-00	CERAMIC CHIP 0.001MF	5% 50V
C3210	1-124-477-11	ELECT 47MF	20% 16V	C3263	1-163-141-00	CERAMIC CHIP 0.001MF	5% 50V
C3212	1-123-382-00	ELECT 3.3MF	20% 50V	C3264	1-165-319-11	CERAMIC CHIP 0.1MF	50V
C3213	1-164-346-11	CERAMIC CHIP 1MF	16V	C3265	1-163-141-00	CERAMIC CHIP 0.001MF	5% 50V
C3214	1-164-346-11	CERAMIC CHIP 1MF	16V	C3266	1-163-141-00	CERAMIC CHIP 0.001MF	5% 50V
C3215	1-164-346-11	CERAMIC CHIP 1MF	16V	C3267	1-163-141-00	CERAMIC CHIP 0.001MF	5% 50V
C3216	1-164-005-11	CERAMIC CHIP 0.47MF	25V	C3268	1-163-141-00	CERAMIC CHIP 0.001MF	5% 50V
C3217	1-164-346-11	CERAMIC CHIP 1MF	16V	C3269	1-163-141-00	CERAMIC CHIP 0.001MF	5% 50V
C3218	1-164-346-11	CERAMIC CHIP 1MF	16V	C3270	1-165-319-11	CERAMIC CHIP 0.1MF	50V
C3219	1-126-103-11	ELECT 470MF	20% 16V	C3271	1-165-319-11	CERAMIC CHIP 0.1MF	50V
C3220	1-164-346-11	CERAMIC CHIP 1MF	16V	C3272	1-165-319-11	CERAMIC CHIP 0.1MF	50V
C3221	1-164-346-11	CERAMIC CHIP 1MF	16V	C3273	1-163-109-00	CERAMIC CHIP 47PF	5% 50V
C3222	1-164-336-11	CERAMIC CHIP 0.33MF	25V	C3274	1-163-101-00	CERAMIC CHIP 22PF	5% 50V
C3223	1-164-336-11	CERAMIC CHIP 0.33MF	25V	C3275	1-163-101-00	CERAMIC CHIP 22PF	5% 50V
C3224	1-164-222-11	CERAMIC CHIP 0.22MF	25V	C3276	1-163-111-00	CERAMIC CHIP 56PF	5% 50V
C3225	1-164-222-11	CERAMIC CHIP 0.22MF	25V	C3277	1-163-101-00	CERAMIC CHIP 22PF	5% 50V
C3226	1-164-005-11	CERAMIC CHIP 0.47MF	25V	C3278	1-163-101-00	CERAMIC CHIP 22PF	5% 50V
C3227	1-164-346-11	CERAMIC CHIP 1MF	16V	C3279	1-163-141-00	CERAMIC CHIP 0.001MF	5% 50V
C3228	1-163-117-00	CERAMIC CHIP 100PF	5% 50V	C3280	1-124-907-11	ELECT 10MF	20% 50V
C3229	1-163-093-00	CERAMIC CHIP 10PF	5% 50V	C3282	1-164-346-11	CERAMIC CHIP 1MF	16V
C3230	1-163-141-00	CERAMIC CHIP 0.001MF	5% 50V		<CONNECTOR>		
C3231	1-163-125-00	CERAMIC CHIP 220PF	5% 50V	CN150	1-573-297-11	CONNECTOR, BOARD TO BOARD 18P	
C3232	1-163-117-00	CERAMIC CHIP 100PF	5% 50V		<DIODE>		
C3233	1-164-232-11	CERAMIC CHIP 0.01MF	10% 50V	D3202	8-719-031-68	DIODE HVU359-TRU	
C3234	1-164-232-11	CERAMIC CHIP 0.01MF	10% 50V	D3203	8-719-404-46	DIODE MA110	
C3235	1-164-232-11	CERAMIC CHIP 0.01MF	10% 50V	D3208	8-719-110-17	DIODE RD10ESB2	
C3236	1-164-232-11	CERAMIC CHIP 0.01MF	10% 50V	D3209	8-719-110-17	DIODE RD10ESB2	
C3237	1-164-232-11	CERAMIC CHIP 0.01MF	10% 50V		<IC>		
C3238	1-163-101-00	CERAMIC CHIP 22PF	5% 50V	IC3200	8-759-517-74	IC MB81461-12-PSZ-G-BF2	
C3239	1-163-141-00	CERAMIC CHIP 0.001MF	5% 50V	IC3201	8-759-093-29	IC MB86144	
C3240	1-163-101-00	CERAMIC CHIP 22PF	5% 50V	IC3202	8-759-093-28	IC MB40176PF-EF	
C3241	1-163-103-00	CERAMIC CHIP 27PF	5% 50V	IC3203	8-759-093-28	IC MB40176PF-EF	
C3242	1-164-232-11	CERAMIC CHIP 0.01MF	10% 50V	IC3204	8-759-093-26	IC MB3512PF-EF	
C3243	1-163-117-00	CERAMIC CHIP 100PF	5% 50V				
C3244	1-163-113-00	CERAMIC CHIP 68PF	5% 50V				
C3245	1-164-232-11	CERAMIC CHIP 0.01MF	10% 50V				
C3246	1-164-232-11	CERAMIC CHIP 0.01MF	10% 50V				
C3247	1-163-033-00	CERAMIC CHIP 0.022MF	50V				
C3248	1-163-125-00	CERAMIC CHIP 220PF	5% 50V				



REF. NO.	PART NO.	DESCRIPTION	REMARK	REF. NO.	PART NO.	DESCRIPTION	REMARK
IC3205	8-759-243-19	IC TC7SU04F		R3238	1-216-049-00	METAL GLAZE 1K 5%	1/10W
	<COIL>			R3239	1-216-043-00	METAL GLAZE 560 5%	1/10W
L3201	1-410-470-11	INDUCTOR 10UH		R3241	1-216-057-00	METAL GLAZE 2.2K 5%	1/10W
L3202	1-408-424-00	INDUCTOR 180UH		R3242	1-216-049-00	METAL GLAZE 1K 5%	1/10W
L3203	1-408-424-00	INDUCTOR 180UH		R3243	1-216-025-00	METAL GLAZE 100 5%	1/10W
L3204	1-410-476-11	INDUCTOR 33UH		R3244	1-216-025-00	METAL GLAZE 100 5%	1/10W
L3205	1-410-470-11	INDUCTOR 10UH		R3245	1-216-025-00	METAL GLAZE 100 5%	1/10W
L3206	1-410-387-11	INDUCTOR 33UH		R3246	1-216-069-00	METAL GLAZE 6.8K 5%	1/10W
L3207	1-410-387-11	INDUCTOR 33UH		R3247	1-216-063-00	METAL GLAZE 3.9K 5%	1/10W
L3208	1-410-387-11	INDUCTOR 33UH		R3248	1-216-295-00	METAL GLAZE 0 5%	1/10W
L3209	1-410-387-11	INDUCTOR 33UH		R3249	1-216-057-00	METAL GLAZE 2.2K 5%	1/10W
	<TRANSISTOR>			R3250	1-216-043-00	METAL GLAZE 560 5%	1/10W
Q3201	8-729-422-36	TRANSISTOR 2SB709A-Q		R3251	1-216-049-00	METAL GLAZE 1K 5%	1/10W
Q3202	8-729-422-27	TRANSISTOR 2SD601A-Q		R3252	1-216-043-00	METAL GLAZE 560 5%	1/10W
Q3203	8-729-422-36	TRANSISTOR 2SB709A-Q		R3253	1-216-065-00	METAL GLAZE 4.7K 5%	1/10W
Q3204	8-729-422-36	TRANSISTOR 2SB709A-Q		R3254	1-216-043-00	METAL GLAZE 560 5%	1/10W
Q3206	8-729-422-27	TRANSISTOR 2SD601A-Q		R3255	1-216-041-00	METAL GLAZE 470 5%	1/10W
Q3207	8-729-422-36	TRANSISTOR 2SB709A-Q		R3256	1-216-043-00	METAL GLAZE 560 5%	1/10W
Q3208	8-729-422-27	TRANSISTOR 2SD601A-Q		R3259	1-216-298-00	METAL GLAZE 2.2 5%	1/10W
Q3209	8-729-422-36	TRANSISTOR 2SB709A-Q		R3260	1-216-073-00	METAL GLAZE 10K 5%	1/10W
Q3210	8-729-422-36	TRANSISTOR 2SB709A-Q		R3263	1-216-025-00	METAL GLAZE 100 5%	1/10W
	<RESISTOR>			R3264	1-216-025-00	METAL GLAZE 100 5%	1/10W
R3201	1-216-097-00	METAL GLAZE 100K 5%	1/10W	R3265	1-216-049-00	METAL GLAZE 1K 5%	1/10W
R3202	1-216-073-00	METAL GLAZE 10K 5%	1/10W	R3266	1-216-057-00	METAL GLAZE 2.2K 5%	1/10W
R3203	1-216-025-00	METAL GLAZE 100 5%	1/10W	R3267	1-216-055-00	METAL GLAZE 1.8K 5%	1/10W
R3204	1-216-025-00	METAL GLAZE 100 5%	1/10W	R3268	1-216-053-00	METAL GLAZE 1.5K 5%	1/10W
R3205	1-216-121-00	METAL GLAZE 1M 5%	1/10W	R3269	1-216-057-00	METAL GLAZE 2.2K 5%	1/10W
R3207	1-216-295-00	METAL GLAZE 0 5%	1/10W	R3270	1-216-657-11	METAL CHIP 1.8K 0.50%	1/10W
R3208	1-216-097-00	METAL GLAZE 100K 5%	1/10W	R3271	1-216-655-11	METAL CHIP 1.5K 0.50%	1/10W
R3209	1-216-079-00	METAL GLAZE 18K 5%	1/10W	R3273	1-216-073-00	METAL GLAZE 10K 5%	1/10W
R3210	1-216-089-00	METAL GLAZE 47K 5%	1/10W	R3274	1-216-049-00	METAL GLAZE 1K 5%	1/10W
R3211	1-216-073-00	METAL GLAZE 10K 5%	1/10W	R3275	1-216-049-00	METAL GLAZE 1K 5%	1/10W
R3212	1-216-073-00	METAL GLAZE 10K 5%	1/10W	R3276	1-216-049-00	METAL GLAZE 1K 5%	1/10W
R3213	1-216-075-00	METAL GLAZE 12K 5%	1/10W	R3277	1-216-298-00	METAL GLAZE 2 2 5%	1/10W
R3214	1-216-121-00	METAL GLAZE 1M 5%	1/10W		<CRYSTAL>		
R3215	1-216-057-00	METAL GLAZE 2.2K 5%	1/10W	X3201	1-567-878-11	VIBRATOR, CRYSTAL	
R3216	1-216-057-00	METAL GLAZE 2.2K 5%	1/10W	X3202	1-567-878-11	VIBRATOR, CRYSTAL	
R3217	1-216-057-00	METAL GLAZE 2.2K 5%	1/10W		*****		
R3218	1-216-049-00	METAL GLAZE 1K 5%	1/10W		*A-1297-065-A	A BOARD, COMPLETE (KV-32TS36/27TS36/27TS32/27TS29)	
R3219	1-216-049-00	METAL GLAZE 1K 5%	1/10W		*A-1297-112-A	A BOARD, COMPLETE (KV-32TS46)	
R3220	1-216-049-00	METAL GLAZE 1K 5%	1/10W				
R3221	1-216-655-11	METAL CHIP 1.5K 0.50%	1/10W				
R3222	1-216-655-11	METAL CHIP 1.5K 0.50%	1/10W		<CAPACITOR>		
R3223	1-216-025-00	METAL GLAZE 100 5%	1/10W	C171	1-124-907-11	ELECT 10MF 20% 50V	(KV-32TS46)
R3224	1-216-049-00	METAL GLAZE 1K 5%	1/10W	C173	1-164-232-11	CERAMIC CHIP 0.01MF 10% 50V	
R3225	1-216-025-00	METAL GLAZE 100 5%	1/10W	C174	1-164-232-11	CERAMIC CHIP 0.01MF 10% 50V	
R3226	1-216-085-00	METAL GLAZE 33K 5%	1/10W	C175	1-126-103-11	ELECT 470MF 20% 16V	
R3227	1-216-647-11	METAL CHIP 680 0.50%	1/10W	C176	1-126-103-11	ELECT 470MF 20% 16V	
R3228	1-216-045-00	METAL GLAZE 680 5%	1/10W	C177	1-124-907-11	ELECT 10MF 20% 50V	
R3229	1-216-073-00	METAL GLAZE 10K 5%	1/10W	C178	1-126-101-11	ELECT 100MF 20% 16V	
R3230	1-216-073-00	METAL GLAZE 10K 5%	1/10W	C179	1-124-916-11	ELECT 22MF 20% 25V	
R3231	1-216-001-00	METAL GLAZE 10 5%	1/10W	C180	1-124-916-11	ELECT 22MF 20% 25V	(KV-32TS46)
R3232	1-216-083-00	METAL GLAZE 27K 5%	1/10W	C181	1-164-161-11	CERAMIC CHIP 0.0022MF 10% 50V	
R3233	1-216-049-00	METAL GLAZE 1K 5%	1/10W	C182	1-164-161-11	CERAMIC CHIP 0.0022MF 10% 50V	(KV-32TS46)
R3234	1-216-651-11	METAL CHIP 1K 0.50%	1/10W	C184	1-124-907-11	ELECT 10MF 20% 50V	(KV-32TS46)
R3235	1-216-043-00	METAL GLAZE 560 5%	1/10W				
R3236	1-216-065-00	METAL GLAZE 4.7K 5%	1/10W				
R3237	1-216-043-00	METAL GLAZE 560 5%	1/10W				



Les composants identifiés par une
trame et une marque Δ sont
critiques pour la sécurité
Ne les remplacer que par une pièce
portant le numéro spécifié

The components identified by
shading and mark Δ are critical
for safety
Replace only with part number
specified

REF.NO.	PART NO.	DESCRIPTION	REMARK
<CONNECTOR>			
CN103	*1-564-519-11	PLUG, CONNECTOR 4P	
CN151	*1-573-979-11	CONNECTOR, BOARD TO BOARD 11P	
CN152	1-750-394-11	PIN, CONNECTOR (STAKING) 32P	
CN164	*1-564-505-11	PLUG, CONNECTOR 2P	
CN165	*1-564-505-11	PLUG, CONNECTOR 2P	
<DIODE>			
D170	8-719-110-78	DIODE RD33ESB2	
D175	8-719-110-76	DIODE RD33ESB1	(KV-32TS46)
<IC>			
IC172	8-759-932-67	IC BU4053BF	(KV-32TS46)
<COIL>			
L170	1-408-408-00	INDUCTOR 8.2UH	
L171	1-408-408-00	INDUCTOR 8.2UH	
L172	1-408-408-00	INDUCTOR 8.2UH	
L173	1-408-408-00	INDUCTOR 8.2UH	(KV-32TS46)
<TRANSISTOR>			
Q172	8-729-422-36	TRANSISTOR 2SB709A-Q	(KV-32TS46)
Q173	8-729-422-36	TRANSISTOR 2SB709A-Q	(KV-32TS46)
<RESISTOR>			
R170	1-216-025-00	METAL GLAZE 100 5% 1/10W (KV-32TS36/27TS36/27TS32/27TS29)	
R173	1-216-295-00	METAL GLAZE 0 5% 1/10W (KV-32TS46)	
R174	1-216-689-11	METAL GLAZE 39K 5% 1/10W	
R175	1-215-900-11	METAL OXIDE 22K 5% 2W F (KV-32TS46)	
R176	1-216-295-00	METAL GLAZE 0 5% 1/10W (KV-32TS36/27TS36/27TS32/27TS29)	
R177	1-215-900-11	METAL OXIDE 22K 5% 2W F	
R179	1-216-065-00	METAL GLAZE 4.7K 5% 1/10W	
R181	1-216-025-00	METAL GLAZE 100 5% 1/10W (KV-32TS46)	
R185	1-216-025-00	METAL GLAZE 100 5% 1/10W (KV-32TS46)	
R187	1-216-083-00	METAL GLAZE 27K 5% 1/10W	
R188	1-216-689-11	METAL GLAZE 39K 5% 1/10W (KV-32TS46)	
R189	1-216-083-00	METAL GLAZE 27K 5% 1/10W (KV-32TS46)	
R190	1-216-065-00	METAL GLAZE 4.7K 5% 1/10W (KV-32TS46)	
R191	1-216-065-00	METAL GLAZE 4.7K 5% 1/10W (KV-32TS46)	
R193	1-216-037-00	METAL GLAZE 330 5% 1/10W	
R196	1-216-037-00	METAL GLAZE 330 5% 1/10W (KV-32TS46)	
<TUNER>			
TU101A	8-598-039-00	TUNER 3TF-WA401	
TU102A	8-598-047-00	TUNER 3TF-WA401	(KV-32TS46)

REF.NO.	PART NO.	DESCRIPTION	REMARK

*A-1306-427-A	M BOARD, COMPLETE		

	(KV-32TS36(US)/27T36(US)/27TS32/27TS29(US))		
*A-1306-432-A	M BOARD, COMPLETE		

	(KV-32TS36(CND)/27TS36(CND)/27TS29(CND))		
*A-1306-433-A	M BOARD, COMPLETE (KV-32TS46(CND))		

*A-1306-434-A	M BOARD, COMPLETE (KV-32TS46(US))		

<CAPACITOR>			
C002	1-163-809-11	CERAMIC CHIP 0.047MF	10% 25V
C003	1-163-001-11	CERAMIC CHIP 220PF	10% 50V
C005	1-163-125-00	CERAMIC CHIP 220PF	5% 50V
C006	1-163-125-00	CERAMIC CHIP 220PF	5% 50V
C007	1-124-903-11	ELECT 1MF	20% 50V
C008	1-163-125-00	CERAMIC CHIP 220PF	5% 50V
C009	1-163-125-00	CERAMIC CHIP 220PF	5% 50V
C010	1-163-125-00	CERAMIC CHIP 220PF	5% 50V
C012	1-163-125-00	CERAMIC CHIP 220PF	5% 50V
C013	1-163-125-00	CERAMIC CHIP 220PF	5% 50V
C014	1-163-125-00	CERAMIC CHIP 220PF	5% 50V
C015	1-163-125-00	CERAMIC CHIP 220PF	5% 50V
C016	1-163-125-00	CERAMIC CHIP 220PF	5% 50V
C017	1-163-125-00	CERAMIC CHIP 220PF	5% 50V
C018	1-163-125-00	CERAMIC CHIP 220PF	5% 50V
C019	1-163-125-00	CERAMIC CHIP 220PF	5% 50V
C021	1-163-125-00	CERAMIC CHIP 220PF	5% 50V
C022	1-163-125-00	CERAMIC CHIP 220PF	5% 50V
C023	1-163-125-00	CERAMIC CHIP 220PF	5% 50V
C025	1-163-125-00	CERAMIC CHIP 220PF	5% 50V
C028	1-163-125-00	CERAMIC CHIP 220PF	5% 50V
C029	1-163-125-00	CERAMIC CHIP 220PF	5% 50V
C034	1-163-125-00	CERAMIC CHIP 220PF	5% 50V (KV-32TS46)
C035	1-163-125-00	CERAMIC CHIP 220PF	5% 50V (KV-32TS46)
C041	1-163-009-11	CERAMIC CHIP 0.001MF	10% 50V
C043	1-163-159-00	CERAMIC CHIP 12PF	2% 50V
C045	1-124-119-00	ELECT 330MF	20% 16V
C047	1-104-896-91	CERAMIC CHIP 24PF	2% 50V
C049	1-163-125-00	CERAMIC CHIP 220PF	5% 50V
C050	1-163-125-00	CERAMIC CHIP 220PF	5% 50V
C051	1-163-031-11	CERAMIC CHIP 0.01MF	50V
C052	1-163-125-00	CERAMIC CHIP 220PF	5% 50V
C053	1-163-121-00	CERAMIC CHIP 150PF	5% 50V
C054	1-163-125-00	CERAMIC CHIP 220PF	5% 50V
C055	1-163-125-00	CERAMIC CHIP 220PF	5% 50V
C056	1-163-125-00	CERAMIC CHIP 220PF	5% 50V
C057	1-163-017-00	CERAMIC CHIP 0.0047MF	10% 50V
C058	1-163-037-11	CERAMIC CHIP 0.022MF	10% 25V
C059	1-163-125-00	CERAMIC CHIP 220PF	5% 50V
C060	1-124-903-11	ELECT 1MF	20% 50V
C061	1-163-117-00	CERAMIC CHIP 100PF	5% 50V
C062	1-124-907-11	ELECT 10MF	20% 50V
C150	1-136-165-00	FILM 0.1MF	5% 50V (KV-32TS46(US)/32TS36(US))
C151	1-136-175-00	FILM 0.068MF	5% 50V (KV-32TS46(US)/32TS36(US))



REF. NO.	PART NO.	DESCRIPTION	REMARK	REF. NO.	PART NO.	DESCRIPTION	REMARK
C152	1-124-907-11	ELECT	10MF 20% 50V (KV-32TS46(US)/32TS36(US))			<CONNECTOR>	
C153	1-137-367-11	FILM	0.0033MF 5% 50V (KV-32TS46(US)/32TS36(US))	CN129	*1-564-523-11	PLUG, CONNECTOR 8P	
C154	1-163-038-00	CERAMIC CHIP	0.1MF 25V (KV-32TS46(US)/32TS36(US))	CN130	1-573-301-11	CONNECTOR, BOARD TO BOARD 20P	
C155	1-124-907-11	ELECT	10MF 20% 50V (KV-32TS46(US)/32TS36(US))	CN131	*1-691-632-11	CONNECTOR, BOARD TO BOARD 15P	
C156	1-163-135-00	CERAMIC CHIP	560PF 5% 50V (KV-32TS46(US)/32TS36(US))	CN134	*1-564-521-11	PLUG, CONNECTOR 6P (KV-32TS46)	
C157	1-163-038-00	CERAMIC CHIP	0.1MF 25V (KV-32TS46(US)/32TS36(US))	CN137	1-750-394-11	PIN, CONNECTOR (STAKING) 32P	
C158	1-124-903-11	ELECT	1MF 20% 50V (KV-32TS46(US)/32TS36(US))	CN138	*1-564-511-31	PLUG, CONNECTOR 8P	
C160	1-124-903-11	ELECT	1MF 20% 50V	CN168	*1-564-505-11	PLUG, CONNECTOR 2P	
C201	1-163-017-00	CERAMIC CHIP	0.0047MF 10% 50V			<DIODE>	
C202	1-163-125-00	CERAMIC CHIP	220PF 5% 50V	D001	8-719-404-46	DIODE MA110	
C203	1-163-989-11	CERAMIC CHIP	0.033MF 10% 25V	D002	8-719-404-46	DIODE MA110	(KV-32TS46(US))
C204	1-126-101-11	ELECT	100MF 20% 16V	D004	8-719-404-46	DIODE MA110	
C205	1-163-125-00	CERAMIC CHIP	220PF 5% 50V	D005	8-713-300-57	DIODE 1T33	
C211	1-163-989-11	CERAMIC CHIP	0.033MF 10% 25V	D006	8-719-110-17	DIODE RD10ESB2	
C212	1-124-902-00	ELECT	0.47MF 20% 50V	D007	8-719-110-17	DIODE RD10ESB2	
C213	1-124-902-00	ELECT	0.47MF 20% 50V	D008	8-719-110-17	DIODE RD10ESB2	
C214	1-163-017-00	CERAMIC CHIP	0.0047MF 10% 50V	D009	8-719-110-17	DIODE RD10ESB2	
C216	1-124-478-11	ELECT	100MF 20% 25V	D150	8-719-404-46	DIODE MA110 (KV-32TS46(US)/32TS36(US))	
C301	1-163-117-00	CERAMIC CHIP	100PF 5% 50V	D201	8-719-404-46	DIODE MA110	
C305	1-124-907-11	ELECT	10MF 20% 50V	D202	8-719-404-46	DIODE MA110	
C306	1-124-902-00	ELECT	0.47MF 20% 50V	D205	8-719-110-17	DIODE RD10ESB2	
C307	1-163-125-00	CERAMIC CHIP	220PF 5% 50V	D206	8-719-110-17	DIODE RD10ESB2	
C308	1-163-099-00	CERAMIC CHIP	18PF 5% 50V	D301	8-719-110-17	DIODE RD10ESB2	
C310	1-124-916-11	ELECT	22MF 20% 25V	D304	8-719-110-17	DIODE RD10ESB2	
C311	1-124-903-11	ELECT	1MF 20% 50V			<IC>	
C313	1-163-003-11	CERAMIC CHIP	330PF 10% 50V	IC101	8-752-841-16	IC CXP80424-SV4397	
C315	1-124-907-11	ELECT	10MF 20% 50V (KV-32TS46(US))	IC102	8-759-057-38	IC 24C02AI/P	
C316	1-124-907-11	ELECT	10MF 20% 50V (KV-32TS46(US))	IC150	8-759-084-09	IC Z8612812PSC (KV-32TS46(US)/32TS36(US))	
C317	1-124-907-11	ELECT	10MF 20% 50V (KV-32TS46(US))	IC201	8-759-090-21	IC TDA8424	
C318	1-136-165-00	FILM	0.1MF 5% 50V	IC202	8-759-983-69	IC UPC358PS	
C319	1-136-165-00	FILM	0.1MF 5% 50V	IC301	8-752-059-67	IC CXA1465AS	
C320	1-136-165-00	FILM	0.1MF 5% 50V			<JUMPER RESISTOR>	
C321	1-124-360-00	ELECT	1000MF 20% 16V	JR200	1-216-295-00	METAL GLAZE 0 5% 1/10W	
C322	1-136-153-00	FILM	0.01MF 5% 50V			<COIL>	
C323	1-126-176-11	ELECT	220MF 20% 10V	L001	1-410-470-11	INDUCTOR 10UH	
C324	1-163-003-11	CERAMIC CHIP	330PF 10% 50V	L002	1-408-414-00	INDUCTOR 27UH	
C325	1-163-037-11	CERAMIC CHIP	0.022MF 10% 25V	L150	1-410-470-11	INDUCTOR 10UH (KV-32TS46(US)/32TS36(US))	
C326	1-136-169-00	FILM	0.22MF 5% 50V			<TRANSISTOR>	
C327	1-136-169-00	FILM	0.22MF 5% 50V	Q001	8-729-422-36	TRANSISTOR 2SB709A-Q	
C328	1-124-902-00	ELECT	0.47MF 20% 50V	Q002	8-729-422-36	TRANSISTOR 2SB709A-Q	
C329	1-124-903-11	ELECT	1MF 20% 50V	Q004	8-729-422-36	TRANSISTOR 2SB709A-Q	
C330	1-124-907-11	ELECT	10MF 20% 50V	Q005	8-729-422-27	TRANSISTOR 2SD601A-Q	
C331	1-124-907-11	ELECT	10MF 20% 50V	Q151	8-729-422-27	TRANSISTOR 2SD601A-Q (KV-32TS46(US)/32TS36(US))	
C332	1-164-489-11	CERAMIC CHIP	0.22MF 10% 16V	Q201	8-729-422-27	TRANSISTOR 2SD601A-Q	
C333	1-163-011-11	CERAMIC CHIP	0.0015MF 10% 50V	Q301	8-729-422-36	TRANSISTOR 2SB709A-Q	
C334	1-124-902-00	ELECT	0.47MF 20% 50V	Q302	8-729-422-36	TRANSISTOR 2SB709A-Q	
C335	1-163-001-11	CERAMIC CHIP	220PF 10% 50V	Q307	8-729-422-27	TRANSISTOR 2SD601A-Q	
C336	1-124-903-11	ELECT	1MF 20% 50V	Q308	8-729-422-27	TRANSISTOR 2SD601A-Q	
C337	1-124-902-00	ELECT	0.47MF 20% 50V				
C338	1-136-153-00	FILM	0.01MF 5% 50V				
C340	1-124-903-11	ELECT	1MF 20% 50V				
C341	1-163-005-11	CERAMIC CHIP	470PF 10% 50V				
C342	1-137-414-91	FILM	0.0047MF 10% 100V				

M

REF. NO.	PART NO.	DESCRIPTION	REMARK	REF. NO.	PART NO.	DESCRIPTION	REMARK
		<RESISTOR>		R074	1-216-295-00	METAL GLAZE 0 5% 1/10W	
R002	1-216-073-00	METAL GLAZE 10K 5% 1/10W		R075	1-216-295-00	METAL GLAZE 0 5% 1/10W	
R003	1-216-033-00	METAL GLAZE 220 5% 1/10W		R076	1-216-295-00	METAL GLAZE 0 5% 1/10W	
R004	1-216-033-00	METAL GLAZE 220 5% 1/10W		R078	1-216-073-00	METAL GLAZE 10K 5% 1/10W	
R005	1-216-033-00	METAL GLAZE 220 5% 1/10W		R079	1-216-295-00	METAL GLAZE 0 5% 1/10W	
R006	1-216-049-00	METAL GLAZE 1K 5% 1/10W		R080	1-216-073-00	METAL GLAZE 10K 5% 1/10W	
R007	1-216-033-00	METAL GLAZE 220 5% 1/10W		R082	1-216-073-00	METAL GLAZE 10K 5% 1/10W	
R008	1-216-033-00	METAL GLAZE 220 5% 1/10W		R083	1-216-089-00	METAL GLAZE 47K 5% 1/10W	
R009	1-216-033-00	METAL GLAZE 220 5% 1/10W		R086	1-216-089-00	METAL GLAZE 47K 5% 1/10W	
R011	1-216-033-00	METAL GLAZE 220 5% 1/10W		R087	1-216-049-00	METAL GLAZE 1K 5% 1/10W	
R012	1-216-033-00	METAL GLAZE 220 5% 1/10W		R089	1-216-083-00	METAL GLAZE 27K 5% 1/10W	
R013	1-216-033-00	METAL GLAZE 220 5% 1/10W		R090	1-216-073-00	METAL GLAZE 10K 5% 1/10W	
R016	1-216-033-00	METAL GLAZE 220 5% 1/10W		R091	1-216-073-00	METAL GLAZE 10K 5% 1/10W	
R017	1-216-033-00	METAL GLAZE 220 5% 1/10W		R092	1-216-073-00	METAL GLAZE 10K 5% 1/10W	
R018	1-216-033-00	METAL GLAZE 220 5% 1/10W		R093	1-216-295-00	METAL GLAZE 0 5% 1/10W	
R019	1-216-033-00	METAL GLAZE 220 5% 1/10W		R150	1-216-097-00	METAL GLAZE 100K 5% 1/10W	
R020	1-216-033-00	METAL GLAZE 220 5% 1/10W				(KV-32TS46(US)/32TS36(US))	
R021	1-216-073-00	METAL GLAZE 10K 5% 1/10W		R151	1-216-049-00	METAL GLAZE 1K 5% 1/10W	
R022	1-216-073-00	METAL GLAZE 10K 5% 1/10W				(KV-32TS46(US)/32TS36(US))	
R023	1-216-033-00	METAL GLAZE 220 5% 1/10W		R152	1-216-049-00	METAL GLAZE 1K 5% 1/10W	
R025	1-216-033-00	METAL GLAZE 220 5% 1/10W				(KV-32TS46(US)/32TS36(US))	
R026	1-216-097-00	METAL GLAZE 100K 5% 1/10W		R153	1-216-069-00	METAL GLAZE 6.8K 5% 1/10W	
R027	1-216-121-00	METAL GLAZE 1M 5% 1/10W				(KV-32TS46(US)/32TS36(US))	
R028	1-216-073-00	METAL GLAZE 10K 5% 1/10W		R154	1-216-041-00	METAL GLAZE 470 5% 1/10W	
R029	1-216-065-00	METAL GLAZE 4.7K 5% 1/10W				(KV-32TS46(US)/32TS36(US))	
R030	1-216-073-00	METAL GLAZE 10K 5% 1/10W		R155	1-216-049-00	METAL GLAZE 1K 5% 1/10W	
R031	1-216-033-00	METAL GLAZE 220 5% 1/10W				(KV-32TS46(US)/32TS36(US))	
R032	1-216-033-00	METAL GLAZE 220 5% 1/10W		R156	1-216-073-00	METAL GLAZE 10K 5% 1/10W	
R033	1-216-033-00	METAL GLAZE 220 5% 1/10W		R157	1-216-073-00	METAL GLAZE 10K 5% 1/10W	
R034	1-216-033-00	METAL GLAZE 220 5% 1/10W				(KV-32TS46(US)/32TS36(US))	
R035	1-216-033-00	METAL GLAZE 220 5% 1/10W		R158	1-216-073-00	METAL GLAZE 10K 5% 1/10W	
R036	1-216-033-00	METAL GLAZE 220 5% 1/10W				(KV-32TS46(US)/32TS36(US))	
R037	1-216-033-00	METAL GLAZE 220 5% 1/10W		R159	1-216-049-00	METAL GLAZE 1K 5% 1/10W	
R038	1-216-033-00	METAL GLAZE 220 5% 1/10W				(KV-32TS46(US)/32TS36(US))	
R039	1-216-295-00	METAL GLAZE 0 5% 1/10W		R160	1-216-049-00	METAL GLAZE 1K 5% 1/10W	
R040	1-216-049-00	METAL GLAZE 1K 5% 1/10W				(KV-32TS46(US)/32TS36(US))	
R041	1-216-033-00	METAL GLAZE 220 5% 1/10W		R161	1-216-049-00	METAL GLAZE 1K 5% 1/10W	
R042	1-216-049-00	METAL GLAZE 1K 5% 1/10W				(KV-32TS46(US)/32TS36(US))	
R043	1-216-049-00	METAL GLAZE 1K 5% 1/10W		R162	1-216-065-00	METAL GLAZE 4.7K 5% 1/10W	
R044	1-216-065-00	METAL GLAZE 4.7K 5% 1/10W				(KV-32TS46(US)/32TS36(US))	
R045	1-216-065-00	METAL GLAZE 4.7K 5% 1/10W		R163	1-216-065-00	METAL GLAZE 4.7K 5% 1/10W	
R046	1-216-065-00	METAL GLAZE 4.7K 5% 1/10W				(KV-32TS46(US)/32TS36(US))	
R047	1-216-065-00	METAL GLAZE 4.7K 5% 1/10W		R164	1-216-065-00	METAL GLAZE 4.7K 5% 1/10W	
R048	1-216-073-00	METAL GLAZE 10K 5% 1/10W				(KV-32TS46(US)/32TS36(US))	
R049	1-216-049-00	METAL GLAZE 1K 5% 1/10W		R165	1-216-065-00	METAL GLAZE 4.7K 5% 1/10W	
R050	1-216-049-00	METAL GLAZE 1K 5% 1/10W				(KV-32TS46(US)/32TS36(US))	
R051	1-216-073-00	METAL GLAZE 10K 5% 1/10W		R166	1-216-049-00	METAL GLAZE 1K 5% 1/10W	
R052	1-216-065-00	METAL GLAZE 4.7K 5% 1/10W				(KV-32TS46(US)/32TS36(US))	
R053	1-216-049-00	METAL GLAZE 1K 5% 1/10W		R168	1-216-049-00	METAL GLAZE 1K 5% 1/10W	
R054	1-216-049-00	METAL GLAZE 1K 5% 1/10W				(KV-32TS46(US)/32TS36(US))	
R055	1-216-033-00	METAL GLAZE 220 5% 1/10W		R201	1-216-073-00	METAL GLAZE 10K 5% 1/10W	
R058	1-216-073-00	METAL GLAZE 10K 5% 1/10W		R202	1-216-073-00	METAL GLAZE 10K 5% 1/10W	
R059	1-216-065-00	METAL GLAZE 4.7K 5% 1/10W		R203	1-216-089-00	METAL GLAZE 47K 5% 1/10W	
R061	1-216-077-00	METAL GLAZE 15K 5% 1/10W		R204	1-216-089-00	METAL GLAZE 47K 5% 1/10W	
R062	1-216-057-00	METAL GLAZE 2.2K 5% 1/10W		R205	1-216-295-00	METAL GLAZE 0 5% 1/10W	
R063	1-216-033-00	METAL GLAZE 220 5% 1/10W		R206	1-216-295-00	METAL GLAZE 0 5% 1/10W	
R064	1-216-065-00	METAL GLAZE 4.7K 5% 1/10W		R207	1-216-085-00	METAL GLAZE 33K 5% 1/10W	
R065	1-216-065-00	METAL GLAZE 4.7K 5% 1/10W		R208	1-216-089-00	METAL GLAZE 47K 5% 1/10W	
R066	1-216-025-00	METAL GLAZE 100 5% 1/10W		R209	1-216-085-00	METAL GLAZE 33K 5% 1/10W	
R067	1-216-025-00	METAL GLAZE 100 5% 1/10W		R210	1-216-089-00	METAL GLAZE 47K 5% 1/10W	
R069	1-216-033-00	METAL GLAZE 220 5% 1/10W		R211	1-216-033-00	METAL GLAZE 220 5% 1/10W	
				R212	1-216-025-00	METAL GLAZE 100 5% 1/10W	
				R213	1-216-025-00	METAL GLAZE 100 5% 1/10W	
				R218	1-216-073-00	METAL GLAZE 10K 5% 1/10W	
						(KV-32TS46)	



The components identified by shading and mark Δ are critical for safety
 Replace only with part number specified

Les composants identifiés par une trame et une marque Δ sont critiques pour la sécurité
 Ne les remplacer que par une pièce portant le numéro spécifié

REF. NO.	PART NO.	DESCRIPTION	REMARK	REF. NO.	PART NO.	DESCRIPTION	REMARK
R219	1-216-073-00	METAL GLAZE 10K 5%	1/10W	C707	1-102-129-00	CERAMIC 0.01MF	10%
R220	1-216-033-00	METAL GLAZE 220 5%	1/10W	C711	1-164-083-11	CERAMIC 680PF	10%
R222	1-216-089-00	METAL GLAZE 47K 5%	1/10W	C712	1-164-081-11	CERAMIC 470PF	10%
R223	1-216-045-00	METAL GLAZE 680 5%	1/10W	C731	1-164-083-11	CERAMIC 680PF	10%
R301	1-216-025-00	METAL GLAZE 100 5%	1/10W	C732	1-164-081-11	CERAMIC 470PF	10%
R302	1-216-049-00	METAL GLAZE 1K 5%	1/10W	C751	1-164-083-11	CERAMIC 680PF	10%
R303	1-216-065-00	METAL GLAZE 4.7K 5%	1/10W	C752	1-164-083-11	CERAMIC 680PF	10%
R306	1-216-057-00	METAL GLAZE 2.2K 5%	1/10W	<CONNECTOR>			
R312	1-216-119-00	METAL GLAZE 820K 5%	1/10W	CN701	1-695-915-11	TAB (CONTACT)	
R313	1-216-079-00	METAL GLAZE 18K 5%	1/10W	CN702	*1-508-768-00	PIN, CONNECTOR (5MM PITCH) 6P	
R321	1-216-041-00	METAL GLAZE 470 5%	1/10W	CN703	*1-564-511-11	PLUG, CONNECTOR 8P	
R323	1-216-041-00	METAL GLAZE 470 5%	1/10W	<DIODE>			
R324	1-216-041-00	METAL GLAZE 470 5%	1/10W	D711	8-719-911-19	DIODE 1SS119	
R327	1-216-653-11	METAL CHIP 1.2K 0.50%	1/10W	D712	8-719-911-19	DIODE 1SS119	
R328	1-216-033-00	METAL GLAZE 220 5%	1/10W	D731	8-719-911-19	DIODE 1SS119	
R329	1-216-033-00	METAL GLAZE 220 5%	1/10W	D732	8-719-911-19	DIODE 1SS119	
R330	1-216-295-00	METAL GLAZE 0 5%	1/10W	D751	8-719-911-19	DIODE 1SS119	
R331	1-216-678-11	METAL CHIP 13K 0.50%	1/10W	D752	8-719-911-19	DIODE 1SS119	
R332	1-216-057-00	METAL GLAZE 2.2K 5%	1/10W	D770	8-719-911-19	DIODE 1SS119	
R333	1-216-025-00	METAL GLAZE 100 5%	1/10W	D771	8-719-911-19	DIODE 1SS119	
R334	1-216-687-11	METAL CHIP 33K 0.50%	1/10W	D772	8-719-911-19	DIODE 1SS119	
R335	1-216-121-00	METAL GLAZE 1M 5%	1/10W	D773	8-719-911-19	DIODE 1SS119	
R336	1-216-295-00	METAL GLAZE 0 5%	1/10W	D777	8-719-109-68	DIODE RD3.6ESB1	
R337	1-216-049-00	METAL GLAZE 1K 5%	1/10W	D790	8-719-911-19	DIODE 1SS119	
R338	1-249-417-11	CARBON 1K 5%	1/4W F	D791	8-719-911-19	DIODE 1SS119	
R339	1-216-049-00	METAL GLAZE 1K 5%	1/10W	D792	8-719-911-19	DIODE 1SS119	
R340	1-216-077-00	METAL GLAZE 15K 5%	1/10W	D793	8-719-911-19	DIODE 1SS119	
R341	1-216-085-00	METAL GLAZE 33K 5%	1/10W	D794	8-719-911-19	DIODE 1SS119	
R342	1-216-295-00	METAL GLAZE 0 5%	1/10W	D795	8-719-911-19	DIODE 1SS119	
R343	1-216-053-00	METAL GLAZE 1.5K 5%	1/10W	<SOCKET>			
R344	1-216-043-00	METAL GLAZE 560 5%	1/10W	3701 1-540-071-13 SOCKET, PICTURE TUBE			
R345	1-216-109-00	METAL GLAZE 330K 5%	1/10W	<COIL>			
R346	1-216-071-00	METAL GLAZE 8.2K 5%	1/10W	L701	1-410-478-11	INDUCTOR 47UH	
R347	1-249-409-91	CARBON 220 5%	1/4W F	<TRANSISTOR>			
R348	1-216-097-00	METAL GLAZE 100K 5%	1/10W	Q711	8-729-926-73	TRANSISTOR 2SC3271-N	
R349	1-216-089-00	METAL GLAZE 47K 5%	1/10W	Q712	8-729-119-78	TRANSISTOR 2SC2785-HFE	
R350	1-216-089-00	METAL GLAZE 47K 5%	1/10W	Q731	8-729-926-73	TRANSISTOR 2SC3271-N	
R351	1-216-065-00	METAL GLAZE 4.7K 5%	1/10W	Q732	8-729-119-78	TRANSISTOR 2SC2785-HFE	
R352	1-216-089-00	METAL GLAZE 47K 5%	1/10W	Q751	8-729-926-73	TRANSISTOR 2SC3271-N	
R353	1-216-089-00	METAL GLAZE 47K 5%	1/10W	Q752	8-729-119-78	TRANSISTOR 2SC2785-HFE	
R354	1-216-033-00	METAL GLAZE 220 5%	1/10W	Q770	8-729-119-76	TRANSISTOR 2SA1175-HFE	
R356	1-216-295-00	METAL GLAZE 0 5%	1/10W	Q771	8-729-200-17	TRANSISTOR 2SA1071-0	
R374	1-216-033-00	METAL GLAZE 220 5%	1/10W	Q772	8-729-200-17	TRANSISTOR 2SA1071-0	
R375	1-216-033-00	METAL GLAZE 220 5%	1/10W	Q773	8-729-200-17	TRANSISTOR 2SA1071-0	
<CRYSTAL>				Q790	8-729-119-78	TRANSISTOR 2SC2785-HFE	
X001	1-579-917-21	VIBRATOR, CRYSTAL		*****			
X001	1-579-917-41	VIBRATOR, CRYSTAL		*A-1331-264-A C BOARD, COMPLETE			
X301	1-567-505-11	OSCILLATOR, CRYSTAL		*****			
<CAPACITOR>				<RESISTOR>			
C700	1-102-074-00	CERAMIC 0.001MF	10%	R700	1-247-739-11	CARBON 100 5%	1/2W
C701	1-162-114-00	CERAMIC 0.0047MF		R701	1-244-941-00	CARBON 680K 5%	1/2W
C702	1-106-375-12	MYLAR 0.022MF	99%	R702	1-249-496-11	CARBON 100K 5%	1/2W
C703	1-106-375-12	MYLAR 0.022MF	99%	R703	1-249-496-11	CARBON 100K 5%	1/2W
C704	1-162-116-00	CERAMIC 680PF	10%	R704	1-216-398-11	METAL OXIDE 5.6 5%	3W F
C705	1-123-946-00	ELECT 4.7MF	20%				
C706	1-126-101-11	ELECT 100MF	20%				

KV-27TS29/27TS32/27TS36

RM-Y116 RM-Y117 RM-Y118

KV-32TS36/32TS46

RM-Y118 RM-Y118
SA-W200

C E

Les composants identifiés par une trame et une marque **Δ** sont critiques pour la sécurité. Ne les remplacer que par une pièce portant le numéro spécifié.

The components identified by shading and mark **Δ** are critical for safety. Replace only with part number specified.

REF. NO.	PART NO.	DESCRIPTION	REMARK	REF. NO.	PART NO.	DESCRIPTION	REMARK
R705	1-216-398-11	METAL OXIDE	5.6 5% 3W F	C1532	1-124-477-11	ELECT 47MF 20%	16V
R706	1-214-921-00	CARBON	220K 5% 1/2W	C1533	1-124-916-11	ELECT 22MF 20%	25V
R710	1-247-758-11	CARBON	3.3K 5% 1/2W	C1542	1-124-477-11	ELECT 47MF 20%	16V
R711	1-249-405-11	CARBON	100 5% 1/4W	C1550	1-136-756-11	FILM 0.24MF 5%	200V
R712	1-215-924-00	METAL OXIDE	15K 5% 3W F				
R714	1-249-425-11	CARBON	4.7K 5% 1/4W			<CONNECTOR>	
R716	1-249-417-11	CARBON	1K 5% 1/4W	CN122	*1-573-299-11	CONNECTOR, BOARD TO BOARD	10P
R717	1-249-393-11	CARBON	10 5% 1/4W	CN123	*1-573-299-11	CONNECTOR, BOARD TO BOARD	10P
R718	1-249-413-11	CARBON	470 5% 1/4W			<DIODE>	
R730	1-247-758-11	CARBON	3.3K 5% 1/2W	D1501	8-719-911-19	DIODE 1SS119	
R731	1-249-405-11	CARBON	100 5% 1/4W	D1502	8-719-801-35	THYRISTOR SHOR3D42	
R732	1-215-924-00	METAL OXIDE	15K 5% 3W F	D1503	8-719-980-78	DIODE ERA83-006	
R734	1-249-425-11	CARBON	4.7K 5% 1/4W	D1504	8-719-300-33	DIODE RU-3AM	
R736	1-249-411-11	CARBON	330 5% 1/4W	D1505	8-719-911-19	DIODE 1SS119	
R737	1-249-393-11	CARBON	10 5% 1/4W	D1506	8-719-911-19	DIODE 1SS119	
R750	1-247-758-11	CARBON	3.3K 5% 1/2W	D1507	8-719-911-19	DIODE 1SS119	
R751	1-249-405-11	CARBON	100 5% 1/4W	D1508	8-719-110-17	DIODE RD10ESB2	
R752	1-215-924-00	METAL OXIDE	15K 5% 3W F	D1509	8-719-110-17	DIODE RD10ESB2	
R754	1-249-425-11	CARBON	4.7K 5% 1/4W	D1510	8-719-911-19	DIODE 1SS119	
R756	1-249-411-11	CARBON	330 5% 1/4W	D1513	8-719-300-33	DIODE RU-3AM	
R757	1-249-393-11	CARBON	10 5% 1/4W	D1515	8-719-911-19	DIODE 1SS119	
R770	1-249-433-11	CARBON	22K 5% 1/4W	D1516	8-719-913-44	DIODE ERA82-004	
R771	1-249-409-91	CARBON	220 5% 1/4W F	D1517	8-719-911-19	DIODE 1SS119	
R772	1-249-409-91	CARBON	220 5% 1/4W F			<IC>	
R773	1-249-409-91	CARBON	220 5% 1/4W F	IC1501	8-752-052-88	IC CXA1526P	
R774	1-249-437-11	CARBON	47K 5% 1/4W	IC1502	8-759-982-10	IC RC7809FA	
R775	1-249-417-11	CARBON	1K 5% 1/4W F	IC1504	8-759-135-80	IC UPC358C	
R776	1-249-409-91	CARBON	220 5% 1/4W F			<COIL>	
R790	1-249-413-11	CARBON	470 5% 1/4W	L1502	1-459-592-11	COIL (WITH CORE) (PMC)	
R791	1-249-412-11	CARBON	390 5% 1/4W	L1504	1-459-474-11	COIL (WITH CORE)	
R792	1-249-424-11	CARBON	3.9K 5% 1/4W			<TRANSISTOR>	
R794	1-249-424-11	CARBON	3.9K 5% 1/4W	Q1501	8-729-119-78	TRANSISTOR 2SC2785-HFE	
R796	1-249-424-11	CARBON	3.9K 5% 1/4W	Q1502	8-729-140-96	TRANSISTOR 2SD774-34	
R798	1-249-437-11	CARBON	47K 5% 1/4W	Q1503	8-729-119-76	TRANSISTOR 2SA1175-HFE	
R799	1-249-437-11	CARBON	47K 5% 1/4W	Q1506	8-729-119-78	TRANSISTOR 2SC2785-HFE	
		<VARIABLE RESISTOR>		Q1507	8-729-119-78	TRANSISTOR 2SC2785-HFE	
R770L	1-247-658-21	RES, ADJ, METAL FILM 110K		Q1508	8-729-140-97	TRANSISTOR 2SB734-34	
KV702	1-230-641-11	RES, ADJ, METAL GLAZE 2.2M		Q1509	8-729-140-97	TRANSISTOR 2SB734-34	
		*****		Q1511	8-729-119-76	TRANSISTOR 2SA1175-HFE	
	*A-1341-622-A	E BOARD, COMPLETE (KV-32TS36/32TS46)		Q1514	8-729-209-15	TRANSISTOR 2SD2012	
		*****		Q1519	8-729-119-78	TRANSISTOR 2SC2785-HFE	
	*1-508-765-00	PIN, CONNECTOR (5MM PITCH) 3P		Q1520	8-729-119-78	TRANSISTOR 2SC2785-HFE	
		<CAPACITOR>				<RESISTOR>	
C1501	1-126-103-11	ELECT	470MF 20% 16V	R1501	1-249-409-11	CARBON	220 5% 1/4W
C1502	1-137-372-11	FILM	0.022MF 5% 50V	R1502	1-249-409-11	CARBON	220 5% 1/4W
C1503	1-102-234-00	CERAMIC	270PF 10% 500V	R1503	1-249-435-11	CARBON	33K 5% 1/4W
C1504	1-136-165-00	FILM	0.1MF 5% 50V	R1504	1-249-429-11	CARBON	10K 5% 1/4W
C1505	1-124-907-11	ELECT	10MF 20% 50V	R1505	1-249-421-11	CARBON	2.2K 5% 1/4W
C1507	1-124-907-11	ELECT	10MF 20% 50V	R1506	1-249-423-11	CARBON	3.3K 5% 1/4W
C1509	1-136-165-00	FILM	0.1MF 5% 50V	R1507	1-249-410-11	CARBON	270 5% 1/4W
C1510	1-137-370-11	FILM	0.01MF 5% 50V	R1508	1-249-437-11	CARBON	47K 5% 1/4W
C1516	1-136-165-00	FILM	0.1MF 5% 50V	R1509	1-249-429-11	CARBON	10K 5% 1/4W
C1519	1-136-104-00	FILM	0.16MF 5% 200V	R1510	1-215-461-00	METAL	47K 1% 1/4W
C1522	1-124-360-00	ELECT	1000MF 20% 16V				
C1523	1-136-177-00	FILM	1MF 5% 50V				
C1524	1-124-927-11	ELECT	4.7MF 20% 50V				
C1529	1-124-907-11	ELECT	10MF 20% 50V				
C1530	1-124-907-11	ELECT	10MF 20% 50V				

The components identified by shading and mark Δ are critical for safety. Replace only with part number specified.

Les composants identifiés par une trame et une marque Δ sont critiques pour la sécurité. Ne les remplacer que par une pièce portant le numéro spécifié.



REF.NO.	PART NO.	DESCRIPTION	REMARK	REF.NO.	PART NO.	DESCRIPTION	REMARK
R1511	1-216-379-11	METAL OXIDE	6.8 5% 2W F				
R1513	1-249-423-11	CARBON	3.3K 5% 1/4W				
R1514	1-247-885-00	CARBON	180K 5% 1/4W				
R1515	1-215-905-11	METAL OXIDE	10 5% 3W F				
R1519	1-249-417-11	CARBON	1K 5% 1/4W				
R1520	1-249-417-11	CARBON	1K 5% 1/4W				
R1522	1-249-417-11	CARBON	1K 5% 1/4W				
R1527	1-249-417-11	CARBON	1K 5% 1/4W F				
R1528	1-249-438-11	CARBON	56K 5% 1/4W				
R1529	1-249-434-11	CARBON	27K 5% 1/4W				
R1530	1-249-432-11	CARBON	18K 5% 1/4W				
R1533	1-249-427-11	CARBON	6.8K 5% 1/4W				
R1534	1-249-424-11	CARBON	3.9K 5% 1/4W				
R1535	1-249-425-11	CARBON	4.7K 5% 1/4W				
R1536	1-215-857-11	METAL OXIDE	10 5% 1W F				
R1537	1-249-404-00	CARBON	82 5% 1/4W				
R1538	1-216-379-11	METAL OXIDE	6.8 5% 2W F				
R1541	1-249-441-11	CARBON	100K 5% 1/4W				
R1543	1-249-414-11	CARBON	560 5% 1/4W				
R1546	1-215-885-00	METAL OXIDE	68 5% 2W F				
R1552	1-249-426-11	CARBON	5.6K 5% 1/4W				
R1554	1-249-393-11	CARBON	10 5% 1/4W				
R1556	1-249-438-11	CARBON	56K 5% 1/4W				
R1559	1-249-429-11	CARBON	10K 5% 1/4W				
R1564	1-249-435-11	CARBON	33K 5% 1/4W				
R1568	1-247-891-00	CARBON	330K 5% 1/4W				
R1569	1-249-413-11	CARBON	470 5% 1/4W				
R1578	1-249-423-11	CARBON	3.3K 5% 1/4W				
R1582	1-249-411-11	CARBON	330 5% 1/4W				
R1583	1-249-421-11	CARBON	2.2K 5% 1/4W				
R1585	1-249-441-11	CARBON	100K 5% 1/4W				
R1586	1-247-891-00	CARBON	330K 5% 1/4W				

*A-1346-112-A	D BOARD, COMPLETE (KV-27TS36/27TS32 /27TS29)						
*A-1346-129-A	D BOARD, COMPLETE (KV-32TS46/32TS36)						
1-533-223-11	CLIP, FUSE						
4-382-854-11	SCREW (M3X10), P, SW (+)						
<CAPACITOR>							
C501	1-124-557-11	ELECT	1000MF 20% 25V				
C502	1-162-131-11	CERAMIC	220PF 10% 2KV				
C503	1-124-557-11	ELECT	1000MF 20% 25V				
C504	1-137-366-11	FILM	0.0022MF 5% 50V				
C505	1-124-916-11	ELECT	22MF 20% 25V				
C506	1-124-929-11	ELECT	22MF 20% 100V				
C507	1-124-046-00	ELECT	10MF 20% 160V				
C509	1-124-916-11	ELECT	22MF 20% 25V				
C511	1-123-024-21	ELECT	33MF 160V				
C512	1-102-212-00	CERAMIC	820PF 10% 500V				
C513	1-102-212-00	CERAMIC	820PF 10% 500V				
C514	1-102-244-00	CERAMIC	220PF 10% 500V				
C515	1-137-416-11	FILM	0.01MF 10% 100V				
C517	1-162-116-00	CERAMIC	680PF 10% 2KV				
C518	1-162-116-00	CERAMIC	680PF 10% 2KV				
C519	1-137-324-11	FILM	0.02MF 5% 25V				
C520	1-162-134-11	CERAMIC	470PF 10% 2KV				
C521	1-136-316-51	FILM	0.05MF 5% 630V				
C522	1-106-383-00	MYLAR	0.047MF 95% 200V				
C523	1-102-002-00	CERAMIC	680PF 10% 500V				
C524	1-102-212-00	CERAMIC	820PF 10% 500V				
C525	1-124-902-00	ELECT	0.47MF 20% 50V				
C526	1-106-395-00	MYLAR	0.15MF 10% 200V				
C527	1-124-341-00	ELECT	1MF 20% 200V				
C528	1-136-113-00	FILM	2MF 5% 200V				
C529	1-137-410-11	FILM	0.001MF 10% 100V				
C530	1-104-770-11	FILM	0.62MF 5% 200V				
C530	1-104-844-11	CAP, FILM (S)	0.62MF				
C531	1-124-477-11	ELECT	47MF 20% 25V				
C532	1-136-165-00	FILM	0.1MF 5% 50V				
C533	1-124-927-11	ELECT	4.7MF 20% 50V				
C534	1-136-161-00	FILM	0.047MF 5% 50V				
C535	1-124-911-11	ELECT	220MF 20% 50V				
C536	1-137-421-91	FILM	0.068MF 10% 100V				
C538	1-136-161-00	FILM	0.047MF 5% 50V				
C540	1-137-366-11	FILM	0.0022MF 5% 50V				
C541	1-137-366-11	FILM	0.0022MF 5% 50V				
C542	1-130-481-00	FILM	0.0068MF 5% 50V				
C545	1-124-927-11	ELECT	4.7MF 20% 50V				
C547	1-164-079-11	CERAMIC	330PF 10% 50V				
C548	1-162-116-00	CERAMIC	680PF 10% 2KV				
C550	1-106-387-00	MYLAR	0.068MF 10% 200V				
C553	1-164-079-11	CERAMIC	330PF 10% 50V				
C561	1-162-815-11	CERAMIC	47PF 5% 500V				
C595	1-123-932-00	ELECT	4.7MF 20% 160V				
C598	1-124-342-00	ELECT	3.3MF 20% 160V				
C600	1-124-907-11	ELECT	10MF 20% 50V				
C601	1-136-316-51	FILM	0.47MF 20% 125V				
C602	1-136-311-51	FILM	0.47MF 20% 125V				
C603	1-136-311-51	FILM	0.47MF 20% 125V				
C604	1-162-578-81	CERAMIC	0.0047MF 20% 400V				
C607	1-104-757-11	ELECT	470MF 20% 200V				
C608	1-104-757-11	ELECT	470MF 20% 200V				
C609	1-136-169-00	FILM	0.22MF 5% 50V				
C610	1-136-169-00	FILM	0.22MF 5% 50V				
C611	1-136-169-00	FILM	0.22MF 5% 50V				
C612	1-136-169-00	FILM	0.22MF 5% 50V				
C613	1-164-625-11	CERAMIC	680PF 10% 500V				
C614	1-164-625-11	CERAMIC	680PF 10% 500V				
C616	1-124-907-11	ELECT	10MF 20% 50V				
C617	1-124-618-11	ELECT	2200MF 20% 35V				
C618	1-124-557-11	ELECT	1000MF 20% 25V				
C619	1-124-360-00	ELECT	1000MF 20% 16V				
C620	1-164-644-11	CERAMIC	330PF 10% 500V				
C621	1-126-356-11	ELECT	220MF 20% 160V				
C623	1-162-117-00	CERAMIC	100PF 10% 500V				
C624	1-136-487-81	FILM	0.015MF 5% 50V				
C625	1-129-744-91	FILM	0.027MF 10% 400V				
C626	1-124-478-11	ELECT	100MF 20% 25V				
C627	1-124-443-00	ELECT	100MF 20% 10V				
C628	1-164-497-51	CERAMIC	470PF 20% 400V				
C634	1-165-127-11	CERAMIC	470PF 10% 500V				
C635	1-124-477-11	ELECT	47MF 20% 16V				
C636	1-137-374-11	FILM	0.047MF 5% 50V				
C637	1-124-916-11	ELECT	22MF 20% 25V				
C640	1-124-902-00	ELECT	0.47MF 20% 50V				
C641	1-124-443-00	ELECT	100MF 20% 10V				
C642	1-137-217-11	FILM	0.01MF 5% 1.25KV				
C643	1-137-218-11	FILM	0.012MF 5% 1.25KV				
C645	1-102-125-00	CERAMIC	0.0047MF 10% 50V				
C646	1-126-101-11	ELECT	100MF 20% 16V				
C647	1-124-916-11	ELECT	22MF 20% 25V				
C684	1-124-907-11	ELECT	10MF 20% 50V				

D

Les composants identifiés par une
trame et une marque Δ sont
critiques pour la sécurité
Ne les remplacer que par une pièce
portant le numéro spécifique

The components identified by
shading and mark Δ are critical
for safety
Replace only with part number
specified

REF. NO.	PART NO.	DESCRIPTION	REMARK	REF. NO.	PART NO.	DESCRIPTION	REMARK
C695	1-124-907-11	ELECT	10MF 20% 50V	D622	8-719-911-19	DIODE ISS119	
C2205	1-124-925-11	ELECT	2.2MF 20% 50V	D623	8-719-911-19	DIODE ISS119	
C2208	1-124-925-11	ELECT	2.2MF 20% 50V	D624	8-719-911-19	DIODE ISS119	
C2210	1-124-120-11	ELECT	220MF 20% 25V	D626	8-719-510-48	DIODE D1N20R	
C2211	1-124-477-11	ELECT	47MF 20% 25V	D627	8-719-510-48	DIODE D1N20R	
C2212	1-124-120-11	ELECT	220MF 20% 25V	D628	8-719-911-19	DIODE ISS119	
C2213	1-136-173-00	FILM	0.47MF 5% 50V	D633	8-719-110-09	DIODE RD8.2ESB3	
C2215	1-136-169-00	FILM	0.22MF 5% 50V	D634	8-719-911-19	DIODE ISS119	
C2216	1-124-480-11	ELECT	470MF 20% 25V	D635	8-719-911-19	DIODE ISS119	
C2217	1-136-169-00	FILM	0.22MF 5% 50V	D636	8-719-510-48	DIODE D1N20R	
C2218	1-124-557-11	ELECT	1000MF 20% 25V	D637	8-719-911-19	DIODE ISS119	
C2219	1-124-557-11	ELECT	1000MF 20% 25V	D638	8-719-911-19	DIODE ISS119	
C2220	1-124-925-11	ELECT	2.2MF 20% 50V				
<CONNECTOR>				<FUSE>			
CN104	*1-573-979-11	CONNECTOR, BOARD TO BOARD 11P		F601	1-532-748-11	FUSE, GLASS TUBE (G.3A/125V)	
CN105	*1-508-768-00	PIN, CONNECTOR (5MM PITCH) 6P		<FERRITE BEAD>			
CN107	*1-580-798-11	CONNECTOR PIN (DY) 6P		FB501	1-412-911-11	INDUCTOR, FERRITE BEAD	
CN108	1-573-296-11	CONNECTOR, BOARD TO BOARD 10P (KV-32TS46/32TS36)		FB502	1-412-911-11	INDUCTOR, FERRITE BEAD	
CN109	1-573-296-11	CONNECTOR, BOARD TO BOARD 10P (KV-32TS46/32TS36)		FB601	1-412-911-11	INDUCTOR, FERRITE BEAD	
CN112	*1-508-786-00	PIN, CONNECTOR (5MM PITCH) 2P		FB602	1-412-911-11	INDUCTOR, FERRITE BEAD	
CN113	*1-508-765-00	PIN, CONNECTOR (5MM PITCH) 3P		FB603	1-412-911-11	INDUCTOR, FERRITE BEAD	
CN114	*1-580-843-11	PIN, CONNECTOR (POWER)		FB604	1-412-911-11	INDUCTOR, FERRITE BEAD	
CN115	1-573-298-11	CONNECTOR, BOARD TO BOARD 20P		FB605	1-412-911-11	INDUCTOR, FERRITE BEAD	
CN116	*1-691-616-11	CONNECTOR, BOARD TO BOARD 15P		FB606	1-412-911-11	INDUCTOR, FERRITE BEAD	
CN117	*1-573-978-11	CONNECTOR, BOARD TO BOARD 11P		FB613	1-412-911-11	INDUCTOR, FERRITE BEAD	
				FB614	1-412-911-11	INDUCTOR, FERRITE BEAD	
<DIODE>				<IC>			
D501	8-719-976-64	DIODE RGPO2-17		IC501	8-759-980-58	IC TDA8172	
D502	8-719-979-85	DIODE EGP20G		IC504	8-759-103-93	IC UPC393C	
D503	8-719-979-85	DIODE EGP20G		<POWER MODULE>			
D504	8-719-936-84	DIODE RGP10GPKG3		IC601	1-810-051-11	POWER MODULE DM-42	
D505	8-719-936-84	DIODE RGP10GPKG3		<IC>			
D506	8-719-945-80	DIODE ERC06-15S		IC602	8-759-805-37	IC L78LR05D-MA	
D507	8-719-945-80	DIODE ERC06-15S		IC604	8-759-924-12	IC LM7805CT	
D508	8-719-900-26	DIODE ERD29-08J		IC605	8-759-701-79	IC LM7812CT	
D509	8-719-936-84	DIODE RGP10GPKG3		IC606	8-759-982-10	IC RC7809FA	
D510	8-719-908-03	DIODE GP08D		IC610	8-759-150-61	IC UPC78L05T	
D511	8-719-908-03	DIODE GP08D		IC2200	8-759-980-43	IC TDA2009A	
D512	8-719-109-84	DIODE RD5.1ESB1		<COIL>			
D513	8-719-908-03	DIODE GP08D		L502	1-421-465-00	COIL, FERRITE CHOKE 68UH	
D514	8-719-911-19	DIODE ISS119		L503	1-412-524-11	INDUCTOR 8.2UH	
D515	8-719-911-19	DIODE ISS119		L504	1-410-669-31	INDUCTOR 33UH	
D601	8-719-911-19	DIODE ISS119		L505	1-459-104-00	COIL, WITH CORE	
D602	8-719-510-63	DIODE D4SB60L-F		L506	1-422-613-11	COIL, AIR CORE	
D603	8-719-500-69	DIODE S3V10SS		L508	1-412-553-11	INDUCTOR 3.3MMH	
D605	8-719-500-69	DIODE S3V10SS		L509	1-460-173-31	COIL, HORIZONTAL LINEARITY (RLC)	
D607	8-719-510-02	DIODE D1NS4		L510	1-406-607-11	COIL, CHOKE 15MMH	
D608	8-719-510-02	DIODE D1NS4		L513	1-412-524-11	INDUCTOR 8.2UH	
D609	8-719-510-02	DIODE D1NS4					
D610	8-719-510-02	DIODE D1NS4					
D611	8-719-510-02	DIODE D1NS4					
D612	8-719-031-80	DIODE D5S4MR					
D613	8-719-022-97	DIODE D2S4MF					
D614	8-719-110-33	DIODE RD12ESB3					
D615	8-719-027-43	DIODE S2L20UF					
D616	8-719-027-43	DIODE S2L20UF					
D617	8-719-027-43	DIODE S2L20UF					
D618	8-719-027-43	DIODE S2L20UF					
D619	8-719-510-02	DIODE D1NS4					



The components identified by shading and mark Δ are critical for safety
 Replace only with part number specified.

Les composants identifiés par une trame et une marque Δ sont critiques pour la sécurité
 Ne les remplacer que par une pièce portant le numéro spécifié

The components identified by Δ in this manual have been carefully factory-selected for each set in order to satisfy regulations regarding X-ray radiation
 Should replacement be required, replace only with the value originally used

REF. NO.	PART NO.	DESCRIPTION	REMARK	REF. NO.	PART NO.	DESCRIPTION	REMARK
<PROTECTOR MODULE>				R547	1-247-883-00	CARBON	150K 5% 1/4W
PM501	1-810-061-11	PROTECTOR MODULE PM-39		R550	1-249-429-11	CARBON	10K 5% 1/4W
		(KV-27TS36/27TS32/27TS29)		R551	1-249-429-11	CARBON	10K 5% 1/4W
PM501	1-810-061-21	PROTECTOR MODULE PM-39		R554	1-216-371-00	METAL OXIDE	1.5 5% 2W F
		(KV-32TS46/32TS36)		R556	1-249-411-11	CARBON	330 5% 1/4W
				R557	1-249-415-11	CARBON	680 5% 1/4W F
<IC LINK>				R561	1-249-429-11	CARBON	10K 5% 1/4W
PS2201	1-532-675-9	LINK IC		R562	1-215-437-00	METAL	4.7K 1% 1/4W
<TRANSISTOR>				R563	1-249-429-11	CARBON	10K 5% 1/4W
Q502	8-729-119-80	TRANSISTOR 2SC2688-LK		R564	1-249-433-11	CARBON	22K 5% 1/4W
Q503	8-729-809-29	TRANSISTOR 2SC4159-E		R566	1-249-435-11	CARBON	33K 5% 1/4W
Q505	8-729-119-78	TRANSISTOR 2SC2785-HFE		R580	1-249-411-11	CARBON	330 5% 1/4W
Q591	8-729-016-32	TRANSISTOR 2SC4927-01		R601	1-202-888-91	SOI	2.2K 20% 1/2W
Q601	8-729-019-51	TRANSISTOR 2SC4834MNP		R602	1-202-888-91	SOI	2.2K 20% 1/2W
Q602	8-729-019-51	TRANSISTOR 2SC4834MNP		R603	1-249-419-11	CARBON	1.5K 5% 1/4W
Q603	8-729-119-76	TRANSISTOR 2SA1175-HFE		R605	1-247-893-11	CARBON	390K 5% 1/4W
Q604	8-729-119-78	TRANSISTOR 2SC2785-HFE		R606	1-247-893-11	CARBON	390K 5% 1/4W
Q605	8-729-119-78	TRANSISTOR 2SC2785-HFE		R607	1-202-933-81	FUSIBLE	0.1 10% 1/2W F
Q611	8-729-119-78	TRANSISTOR 2SC2785-HFE		R608	1-215-860-11	METAL OXIDE	33 5% 1W F
Q613	8-729-924-90	TRANSISTOR 2SB1370-EF		R609	1-216-352-11	METAL OXIDE	1.8 5% 1W F
Q614	8-729-119-78	TRANSISTOR 2SC2785-HFE		R610	1-216-352-11	METAL OXIDE	1.8 5% 1W F
Q2202	8-729-119-78	TRANSISTOR 2SC2785-HFE		R611	1-216-468-91	METAL OXIDE	82K 5% 2W F
Q2203	8-729-119-76	TRANSISTOR 2SA1175-HFE		R612	1-216-468-91	METAL OXIDE	82K 5% 2W F
<RESISTOR>				R613	1-215-860-11	METAL OXIDE	33 5% 1W F
R501	1-249-378-11	CARBON	0.56 5% 1/4W F	R614	1-215-860-11	METAL OXIDE	33 5% 1W F
R503	1-215-862-11	METAL OXIDE	68 5% 1W F	R615	1-249-421-11	CARBON	2.2K 5% 1/4W
R504	1-215-872-11	METAL OXIDE	3.3K 5% 1W F	R616	1-249-417-11	CARBON	1K 5% 1/4W
R505	1-249-377-11	CARBON	0.47 5% 1/4W F	R617	1-249-377-11	CARBON	0.47 5% 1/4W F
R506	1-215-886-11	METAL OXIDE	100 5% 2W F	R618	1-249-377-11	CARBON	0.47 5% 1/4W F
R507	1-249-429-11	CARBON	10K 5% 1/4W	R619	1-249-377-11	CARBON	0.47 5% 1/4W F
R508	1-249-425-11	CARBON	4.7K 5% 1/4W	R621	1-249-377-11	CARBON	0.47 5% 1/4W F
R509	1-249-389-11	CARBON	4.7 5% 1/4W F	R622	1-249-377-11	CARBON	0.47 5% 1/4W F
R512	1-249-389-11	CARBON	4.7 5% 1/4W F	R623	1-249-377-11	CARBON	0.47 5% 1/4W F
R513	1-216-393-00	METAL OXIDE	2.2 5% 3W F	R624	1-249-377-11	CARBON	0.47 5% 1/4W F
R514	1-249-429-11	CARBON	10K 5% 1/4W	R625	1-249-377-11	CARBON	0.47 5% 1/4W F
R515	1-216-363-00	METAL OXIDE	0.33 5% 2W F	R626	1-249-377-11	CARBON	0.47 5% 1/4W F
R516	1-249-401-11	CARBON	47 5% 1/4W	R627	1-249-377-11	CARBON	0.47 5% 1/4W F
R517	1-215-916-00	METAL OXIDE	680 5% 3W F	R628	1-249-377-11	CARBON	0.47 5% 1/4W F
R518	1-215-916-00	METAL OXIDE	680 5% 3W F	R629	1-249-388-11	CARBON	3.9 5% 1/4W F
R519	1-249-426-11	CARBON	5.6K 5% 1/4W F	R630	1-215-857-11	METAL OXIDE	10 5% 1W F
R520	1-249-423-11	CARBON	3.3K 5% 1/4W	R632	1-249-417-11	CARBON	1K 5% 1/4W F
R521	1-249-411-11	CARBON	330 5% 1/4W	R633	1-249-405-11	CARBON	100 5% 1/4W F
R522	1-215-886-11	METAL OXIDE	100 5% 2W F	R635	1-249-413-11	CARBON	470 5% 1/4W F
R523	1-215-862-11	METAL OXIDE	68 5% 1W F	R636	1-249-383-11	CARBON	1.5 5% 1/4W F
R526	1-247-887-00	CARBON	220K 5% 1/4W	R637	1-249-421-11	CARBON	2.2K 5% 1/4W
R527	1-215-861-00	METAL OXIDE	47 5% 1W F	R638	1-249-423-11	CARBON	3.3K 5% 1/4W
R528	1-260-326-71	CARBON	680 5% 1/2W	R639	1-249-423-11	CARBON	3.3K 5% 1/4W
R530	1-215-445-00	METAL	10K 1% 1/4W	R643	1-216-373-11	METAL OXIDE	6.8 5% 2W F
R531	1-247-903-91	CARBON	1M 5% 1/4W	R644	1-212-853-81	FUSIBLE	6.8 5% 1/2W F
R532	1-215-446-00	METAL	11K 1% 1/4W	R645	1-249-377-11	CARBON	0.47 5% 1/4W F
R534	1-249-385-11	CARBON	2.2 5% 1/4W F	R646	1-249-429-11	CARBON	10K 5% 1/4W
R535	1-216-453-00	METAL OXIDE	270 5% 2W F	R647	1-249-433-11	CARBON	22K 5% 1/4W
R536	1-249-389-11	CARBON	4.7 5% 1/4W F	R648	1-249-414-11	CARBON	560 5% 1/4W
R539	1-215-459-00	METAL	39K 1% 1/4W	R649	1-216-431-11	METAL OXIDE	560 5% 1W F
R543	1-249-419-11	CARBON	1.5K 5% 1/4W	R650	1-249-405-11	CARBON	100 5% 1/4W F
R546	1-249-431-11	CARBON	15K 5% 1/4W	R651	1-212-954-81	FUSIBLE	6.8 5% 1/2W F
				R652	1-212-954-81	FUSIBLE	6.8 5% 1/2W F
				R653	1-249-381-11	CARBON	1 5% 1/4W
				R654	1-216-385-11	METAL OXIDE	0.47 5% 3W F
				R655	1-249-417-11	CARBON	1K 5% 1/4W F
				R656	1-249-381-11	CARBON	1 5% 1/4W
				R657	1-249-417-11	CARBON	1K 5% 1/4W
				R658	1-249-389-11	CARBON	4.7 5% 1/4W F

KV-27TS29/27TS32/27TS36

RM-Y116 RM-Y117 RM-Y118

KV-32TS36/32TS46

RM-Y118 RM-Y118 SA-W200

D H

Les composants identifiés par une trame et une marque Δ sont critiques pour la sécurité. Ne les remplacer que par une pièce portant le numéro spécifié.

The components identified by shading and mark Δ are critical for safety. Replace only with part number specified.

Table with columns: REF. NO., PART NO., DESCRIPTION, REMARK. Contains multiple rows of component data, including carbon resistors, electrolytic capacitors, relays, switches, transformers, and varistors. Includes sub-sections like <RELAY>, <SWITCH>, <TRANSFORMER>, <THERMISTOR>, <VARISTOR>, and <CAPACITOR>.



REF.NO.	PART NO.	DESCRIPTION	REMARK	REF.NO.	PART NO.	DESCRIPTION	REMARK
*A-1394-415-A		UA BOARD, COMPLETE(KV-32TS36/27TS36) *****		CN143	1-750-395-11	SOCKET, CONNECTOR 32P	
*A-1394-435-A		UA BOARD, COMPLETE(KV-32TS46) *****		CN144	*1-564-521-11	PLUG, CONNECTOR 6P	(KV-32TS46)
*A-1394-437-A		UA BOARD, COMPLETE(KV-27TS29) *****		CN146	1-573-300-11	CONNECTOR, BOARD TO BOARD 18P (KV-32TS46/32TS36/27TS32)	
*A-1394-441-A		UA BOARD, COMPLETE(KV-27TS32) *****		CN147	1-750-395-11	SOCKET, CONNECTOR 32P	
		<CAPACITOR>		CN148	*1-564-517-11	PLUG, CONNECTOR 2P	
C401	1-163-031-11	CERAMIC CHIP 0.01MF 50V (KV-32TS46/32TS36/27TS32)		CN149	*1-564-519-11	PLUG, CONNECTOR 4P	(KV-32TS46)
C402	1-124-916-11	ELECT 22MF 20% 25V				<DIODE>	
C405	1-124-916-11	ELECT 22MF 20% 25V (KV-32TS46/32TS36/27TS32)		D401	8-719-110-17	DIODE RD10ESB2 (KV-32TS46/32TS36/27TS36/27TS32)	
C406	1-124-903-11	ELECT 1MF 20% 50V (KV-32TS46/32TS36/27TS32)		D402	8-719-110-17	DIODE RD10ESB2	
C407	1-124-903-11	ELECT 1MF 20% 50V (KV-32TS46/32TS36/27TS32)		D403	8-719-110-17	DIODE RD10ESB2	
C408	1-124-916-11	ELECT 22MF 20% 25V (KV-32TS46/32TS36/27TS32)		D404	8-719-110-17	DIODE RD10ESB2	
C409	1-124-903-11	ELECT 1MF 20% 50V		D405	8-719-110-17	DIODE RD10ESB2 (KV-32TS46/32TS36/27TS36/27TS32)	
C410	1-124-903-11	ELECT 1MF 20% 50V		D408	8-719-110-17	DIODE RD10ESB2 (KV-32TS46/32TS36/27TS36/27TS32)	
C411	1-124-478-11	ELECT 100MF 20% 25V (KV-27TS32/27TS29)		D410	8-719-110-17	DIODE RD10ESB2	
C412	1-124-916-11	ELECT 22MF 20% 25V		D411	8-719-110-17	DIODE RD10ESB2	
C413	1-124-907-11	ELECT 10MF 20% 50V		D429	8-719-110-17	DIODE RD10ESB2	
C414	1-124-499-11	ELECT 1MF 20% 50V		D430	8-719-110-17	DIODE RD10ESB2	
C415	1-124-499-11	ELECT 1MF 20% 50V		D431	8-719-110-17	DIODE RD10ESB2	
C416	1-124-907-11	ELECT 10MF 20% 50V		D436	8-719-110-17	DIODE RD10ESB2 (KV-32TS46/32TS36/27TS36)	
C417	1-124-902-00	ELECT 0.47MF 20% 50V		D437	8-719-110-17	DIODE RD10ESB2 (KV-32TS46/32TS36/27TS36)	
C418	1-124-902-00	ELECT 0.47MF 20% 50V				<IC>	
C419	1-124-477-11	ELECT 47MF 20% 16V		IC401	8-759-634-69	IC M52470P	(KV-27TS32/27TS29)
C420	1-163-031-11	CERAMIC CHIP 0.01MF 50V (KV-32TS46/32TS36/27TS32)		IC402	8-752-062-86	IC CXA1545AS	(KV-32TS46/32TS36/27TS36)
C421	1-124-916-11	ELECT 22MF 20% 25V (KV-32TS46/32TS36/27TS32)		IC403	8-759-088-00	IC MM1114XFF	(KV-27TS32)
C430	1-124-499-11	ELECT 1MF 20% 50V (KV-32TS46)		IC404	8-759-164-18	IC MM1118XFF	(KV-27TS32)
C431	1-124-499-11	ELECT 1MF 20% 50V (KV-32TS46)				<JACK>	
C432	1-124-916-11	ELECT 22MF 20% 25V (KV-32TS46)		J401	1-750-515-11	TERMINAL BLOCK, S 3P (KV-32TS46/32TS36/27TS36/27TS32)	
C433	1-124-482-11	ELECT 33MF 20% 25V (KV-32TS46/32TS36/27TS32)		J401	1-750-517-11	JACK BLOCK, PIN 3P	(KV-27TS29)
C434	1-163-117-00	CERAMIC CHIP 100PF 5% 50V (KV-32TS46/32TS36/27TS32)		J402	1-750-517-11	JACK BLOCK, PIN 3P (KV-32TS46/32TS36/27TS36/27TS32)	
C440	1-124-907-11	ELECT 10MF 20% 50V (KV-32TS46/32TS36/27TS32)		J403	1-750-516-11	JACK BLOCK, PIN 2P	(KV-27TS29)
C441	1-124-477-11	ELECT 47MF 20% 16V		J404	1-750-516-11	JACK BLOCK, PIN 2P	
C442	1-163-117-00	CERAMIC CHIP 100PF 5% 50V (KV-32TS46/32TS36/27TS32)				<JUMPER RESISTOR>	
C462	1-126-101-11	ELECT 100MF 20% 16V		JR400	1-216-295-00	METAL GLAZE 0 5% 1/10W (KV-27TS29)	
		<FILTER BLOCK>		JR401	1-216-295-00	METAL GLAZE 0 5% 1/10W (KV-27TS29)	
CM402	1-466-912-21	FILTER BLOCK, COMB		JR402	1-216-295-00	METAL GLAZE 0 5% 1/10W	
		<CONNECTOR>		JR403	1-216-295-00	METAL GLAZE 0 5% 1/10W	
CN141	*1-564-520-11	PLUG, CONNECTOR 5P (KV-32TS46/32TS36/27TS36/27TS32)		JR408	1-216-295-00	METAL GLAZE 0 5% 1/10W	
				JR410	1-216-295-00	METAL GLAZE 0 5% 1/10W	
				JR411	1-216-295-00	METAL GLAZE 0 5% 1/10W	
				JR412	1-216-295-00	METAL GLAZE 0 5% 1/10W	
				JR414	1-216-295-00	METAL GLAZE 0 5% 1/10W	
				JR415	1-216-295-00	METAL GLAZE 0 5% 1/10W (KV-32TS46/32TS36/27TS36/27TS32)	
				JR416	1-216-295-00	METAL GLAZE 0 5% 1/10W	
				JR418	1-216-295-00	METAL GLAZE 0 5% 1/10W	

UA

REF. NO.	PART NO.	DESCRIPTION	REMARK	REF. NO.	PART NO.	DESCRIPTION	REMARK
JR419	1-216-295-00	METAL GLAZE 0 5% 1/10W (KV-32TS46/32TS36/27TS36/27TS32)		R431	1-216-045-00	METAL GLAZE 680 5% 1/10W (KV-27TS32)	
JR429	1-216-295-00	METAL GLAZE 0 5% 1/10W		R431	1-216-049-00	METAL GLAZE 1K 5% 1/10W (KV-32TS46/32TS36/27TS36/27TS29)	
JR430	1-216-295-00	METAL GLAZE 0 5% 1/10W		R432	1-216-045-00	METAL GLAZE 680 5% 1/10W (KV-27TS32)	
JR431	1-216-295-00	METAL GLAZE 0 5% 1/10W		R432	1-216-295-00	METAL GLAZE 0 5% 1/10W (KV-32TS46/32TS36/27TS36/27TS29)	
JR434	1-216-295-00	METAL GLAZE 0 5% 1/10W		R434	1-216-045-00	METAL GLAZE 680 5% 1/10W (KV-27TS32)	
JR435	1-216-295-00	METAL GLAZE 0 5% 1/10W		R434	1-216-049-00	METAL GLAZE 1K 5% 1/10W (KV-32TS46/32TS36/27TS36/27TS29)	
JR498	1-216-295-00	METAL GLAZE 0 5% 1/10W		R435	1-216-045-00	METAL GLAZE 680 5% 1/10W (KV-27TS32)	
JR499	1-216-295-00	METAL GLAZE 0 5% 1/10W		R435	1-216-295-00	METAL GLAZE 0 5% 1/10W (KV-32TS46/32TS36/27TS36/27TS29)	
JR1408	1-216-295-00	METAL GLAZE 0 5% 1/10W		R439	1-216-049-00	METAL GLAZE 1K 5% 1/10W	
<COIL>				R440	1-216-025-00	METAL GLAZE 100 5% 1/10W (KV-27TS32/27TS29)	
L401	1-410-473-11	INDUCTOR 18UH (KV-32TS46/32TS36/27TS36)		R441	1-216-049-00	METAL GLAZE 1K 5% 1/10W	
L403	1-410-476-11	INDUCTOR 33UH (KV-32TS46/32TS36/27TS36)		R442	1-216-025-00	METAL GLAZE 100 5% 1/10W (KV-27TS32/27TS29)	
L404	1-410-669-31	INDUCTOR 33UH (KV-32TS46/32TS36/27TS36)		R443	1-216-025-00	METAL GLAZE 100 5% 1/10W (KV-27TS32/27TS29)	
<TRANSISTOR>				R444	1-216-095-00	METAL GLAZE 82K 5% 1/10W (KV-32TS46/32TS36/27TS36/27TS32)	
Q401	8-729-422-27	TRANSISTOR 2SD601A-Q		R445	1-216-073-00	METAL GLAZE 10K 5% 1/10W (KV-32TS46/32TS36/27TS36)	
Q405	8-729-422-36	TRANSISTOR 2SB709A-Q		R446	1-216-073-00	METAL GLAZE 10K 5% 1/10W (KV-32TS46/32TS36/27TS36)	
Q406	8-729-422-36	TRANSISTOR 2SB709A-Q		R450	1-216-627-11	METAL CHIP 100 0.50% 1/10W (KV-27TS32/27TS29)	
Q410	8-729-422-27	TRANSISTOR 2SD601A-Q (KV-32TS46)		R450	1-216-643-11	METAL CHIP 470 0.50% 1/10W (KV-32TS46/32TS36/27TS36)	
Q414	8-729-422-27	TRANSISTOR 2SD601A-Q (KV-32TS46/32TS36/27TS36)		R451	1-216-065-00	METAL GLAZE 4.7K 5% 1/10W (KV-32TS46/32TS36/27TS36)	
Q415	8-729-422-27	TRANSISTOR 2SD601A-Q (KV-32TS36)		R452	1-216-025-00	METAL GLAZE 100 5% 1/10W (KV-32TS46)	
Q416	8-729-422-36	TRANSISTOR 2SB709A-Q (KV-32TS36)		R453	1-216-645-11	METAL CHIP 560 0.50% 1/10W	
Q417	8-729-422-36	TRANSISTOR 2SB709A-Q (KV-32TS36)		R453	1-216-653-11	METAL CHIP 1.2K 0.50% 1/10W (KV-27TS32/27TS29)	
Q418	8-729-422-36	TRANSISTOR 2SB709A-Q (KV-32TS36)		R454	1-216-025-00	METAL GLAZE 100 5% 1/10W (KV-27TS32/27TS29)	
<RESISTOR>				R454	1-216-295-00	METAL GLAZE 0 5% 1/10W (KV-32TS46/32TS36/27TS36)	
R401	1-247-804-11	CARBON 75 5% 1/4W (KV-32TS46/32TS36/27TS36/27TS32)		R456	1-216-041-00	METAL GLAZE 470 5% 1/10W (KV-32TS46/32TS36/27TS36)	
R402	1-216-113-00	METAL GLAZE 470K 5% 1/10W		R457	1-216-033-00	METAL GLAZE 220 5% 1/10W (KV-32TS46/32TS36/27TS36)	
R403	1-216-113-00	METAL GLAZE 470K 5% 1/10W		R458	1-216-033-00	METAL GLAZE 220 5% 1/10W (KV-32TS46/32TS36/27TS36)	
R404	1-247-804-11	CARBON 75 5% 1/4W		R459	1-216-081-00	METAL GLAZE 22K 5% 1/10W (KV-32TS46)	
R405	1-216-113-00	METAL GLAZE 470K 5% 1/10W		R460	1-216-037-00	METAL GLAZE 330 5% 1/10W (KV-32TS46)	
R406	1-216-113-00	METAL GLAZE 470K 5% 1/10W		R461	1-216-065-00	METAL GLAZE 4.7K 5% 1/10W (KV-32TS46)	
R407	1-247-804-11	CARBON 75 5% 1/4W (KV-32TS46/32TS36/27TS36/27TS32)		R462	1-216-065-00	METAL GLAZE 4.7K 5% 1/10W (KV-32TS46)	
R408	1-216-113-00	METAL GLAZE 470K 5% 1/10W (KV-32TS46/32TS36/27TS36/27TS32)		R463	1-216-045-00	METAL GLAZE 680 5% 1/10W (KV-32TS46)	
R409	1-216-113-00	METAL GLAZE 470K 5% 1/10W (KV-32TS46/32TS36/27TS36/27TS32)		R464	1-216-045-00	METAL GLAZE 680 5% 1/10W (KV-32TS46)	
R410	1-249-425-11	CARBON 4.7K 5% 1/4W (KV-32TS46/32TS36/27TS36/27TS32)		R475	1-216-049-00	METAL GLAZE 1K 5% 1/10W (KV-32TS46/32TS36/27TS36/27TS32)	
R411	1-249-425-11	CARBON 4.7K 5% 1/4W (KV-32TS46/32TS36/27TS36/27TS32)		R476	1-216-081-00	METAL GLAZE 22K 5% 1/10W (KV-32TS46)	
R412	1-249-425-11	CARBON 4.7K 5% 1/4W					
R413	1-249-425-11	CARBON 4.7K 5% 1/4W					
R414	1-247-804-11	CARBON 75 5% 1/4W (KV-32TS46/32TS36/27TS36/27TS32)					
R415	1-216-065-00	METAL GLAZE 4.7K 5% 1/10W (KV-32TS46/32TS36/27TS36/27TS32)					
R416	1-216-647-11	METAL CHIP 680 0.50% 1/10W					
R417	1-216-645-11	METAL CHIP 560 0.50% 1/10W (KV-32TS46/32TS36/27TS36)					
R417	1-216-645-11	METAL CHIP 560 0.50% 1/10W (KV-27TS32/27TS29)					
R418	1-216-025-00	METAL GLAZE 100 5% 1/10W (KV-27TS32/27TS29)					
R421	1-216-065-00	METAL GLAZE 4.7K 5% 1/10W					
R425	1-216-065-00	METAL GLAZE 4.7K 5% 1/10W					



The components identified by shading and mark **Δ** are critical for safety
 Replace only with part number specified

Les composants identifiés par une trame et une marque **Δ** sont critiques pour la sécurité
 Ne les remplacer que par une pièce portant le numéro spécifié

REF. NO.	PART NO.	DESCRIPTION	REMARK	REF. NO.	PART NO.	DESCRIPTION	REMARK
R477	1-216-049-00	METAL GLAZE	1K 5% 1/10W (KV-27TS32/27TS29)	*4-035-022-01		INDIVIDUAL CARTON (KV-27TS36/27TS32/27TS29)	
R478	1-216-041-00	METAL GLAZE	470 5% 1/10W (KV-32TS46/32TS36/27TS36)	*4-039-653-01		CUSHION (UPPER) (ASSY) (KV-27TS36/27TS32/27TS29)	
R479	1-216-081-00	METAL GLAZE	22K 5% 1/10W (KV-32TS46)	*4-039-654-01		CUSHION (LOWER) (ASSY) (KV-27TS36/27TS32/27TS29)	
R480	1-216-081-00	METAL GLAZE	22K 5% 1/10W (KV-32TS46)	4-040-227-01		CARTON, WOOFER	
R481	1-216-081-00	METAL GLAZE	22K 5% 1/10W (KV-32TS46)	4-040-527-01		FOOT, FELT	
R482	1-249-417-11	CARBON	1K 5% 1/4W	4-040-541-01		SPACER, WOOFER	
R483	1-249-417-11	CARBON	1K 5% 1/4W	*4-384-027-01		BAG, PROTECTION (KV-27TS36/27TS32/27TS29)	
R488	1-216-081-00	METAL GLAZE	22K 5% 1/10W (KV-32TS46)				
R489	1-216-081-00	METAL GLAZE	22K 5% 1/10W (KV-32TS46)				
R490	1-216-295-00	METAL GLAZE	0 5% 1/10W (KV-32TS46/32TS36/27TS36)				
R491	1-216-295-00	METAL GLAZE	0 5% 1/10W (KV-32TS46/32TS36/27TS36)				
R492	1-216-295-00	METAL GLAZE	0 5% 1/10W (KV-32TS46/32TS36/27TS36)				
R1438	1-216-081-00	METAL GLAZE	22K 5% 1/10W				

MISCELLANEOUS

*1-402-952-11	COIL, DEMAGNETIZATION (KV-32TS46/32TS36)
*1-417-178-11	SELECTOR, ANTENNA (AS-2)
*1-451-315-41	DEFLECTION YOKE (Y34FX4) (KV-32TS46/32TS36)
*1-451-275-41	DEFLECTION YOKE (Y34FXA) (KV-27TS36/32TS32/27TS29)
1-452-032-00	MAGNET, DISK
1-550-910-11	WOOFER, ACTIVE SUPER (SA-W200) (KV-32TS46)
*1-751-059-11	CORD, POWER (WITH CONNECTOR)
*1-751-135-11	CABLE, PIN
*1-751-136-11	CABLE, PIN
SP901	1-544-549-11 SPEAKER
SP902	1-544-549-11 SPEAKER
Y901	*8-733-723-05 PICTURE TUBE (A80JYV50X) (KV-32TS46/32TS36)
Y901	*8-733-838-05 PICTURE TUBE (A688LJ50X) (KV-27TS36/27TS32/27TS29)

ACCESSORIES & PACKING MATERIALS

1-559-533-11	CORD, CONNECTION (KV-32TS46)
1-550-910-11	WOOFER, ACTIVE SUPER (SA-W200)
1-466-966-11	REMOTE COMMANDER (RM-Y116) (KV-27TS46)
1-467-060-11	REMOTE COMMANDER (RM-Y117) (KV-27TS32)
1-467-059-11	REMOTE COMMANDER (RM-Y118) (KV-32TS46/32TS36/27TS36)
9-903-826-01	COVER, BATTERY (RM-Y116/Y117/Y118)
3-756-618-21	MANUAL, INSTRUCTION (KV-32T46 (US)/32TS36 (US)/27TS36 (US)/27TS32 (US))
3-756-618-31	MANUAL, INSTRUCTION (KV-32T46 (CND)/32TS36 (CND)/27TS36 (CND)/27TS29 (CND))

(SUPER WOOFER BOARD)

REF. NO.	PART NO.	DESCRIPTION	REMARK	REF. NO.	PART NO.	DESCRIPTION	REMARK
*A-1331-264-A		SUPER WOOFER BOARD, COMPLETE *****	(KV-32TS46 only)			<IC>	
		<CAPACITOR>		IC001	9-904-756-01	IC NJM2068S	
C001	1-102-114-00	CERAMIC	470PF 10% 50V	IC002	9-904-756-01	IC NJM2068S	
C002	1-102-114-00	CERAMIC	470PF 10% 50V	IC003	9-904-756-01	IC NJM2068S	
C003	1-124-903-11	ELECT	1MF 20% 50V	IC004	9-904-757-01	IC M5233L	
C004	1-124-903-11	ELECT	1MF 20% 50V	IC005	9-904-755-01	IC TA8225L(PA10-K)	
C005	1-130-494-11	FILM	0.082MF 5% 50V			<JACK>	
C006	1-130-490-11	FILM	0.039MF 5% 50V	J001	9-904-759-01	RCA JACK	
C007	1-130-494-11	FILM	0.082MF 5% 50V			<TRANSISTOR>	
C008	1-130-490-11	FILM	0.039MF 5% 50V	Q001	8-729-140-96	TRANSISTOR 2SD774-34	
C009	1-124-903-11	ELECT	1MF 20% 50V	Q002	8-729-119-78	TRANSISTOR 2SC2785-HFE	
C010	1-124-903-11	ELECT	1MF 20% 50V	Q003	8-729-119-76	TRANSISTOR 2SA1175-HFE	
C011	1-102-973-00	CERAMIC	100PF 10% 50V	Q004	8-729-119-76	TRANSISTOR 2SA1175-HFE	
C012	1-124-903-11	ELECT	1MF 20% 50V			<RESISTOR>	
C013	1-124-908-00	ELECT	0.47MF 20% 50V	R001	1-249-405-11	CARBON 100 5% 1/4W	
C014	1-124-907-11	ELECT	10MF 20% 50V	R002	1-249-405-11	CARBON 100 5% 1/4W	
C015	1-124-910-11	ELECT	47MF 20% 50V	R003	1-249-426-11	CARBON 56K 5% 1/4W	
C016	1-124-472-11	ELECT	470MF 20% 10V	R004	1-249-426-11	CARBON 56K 5% 1/4W	
C017	1-124-472-11	ELECT	470MF 20% 10V	R005	1-247-862-11	CARBON 20K 5% 1/4W	
C018	1-124-120-11	ELECT	220MF 20% 25V	R006	1-247-862-11	CARBON 20K 5% 1/4W	
C019	1-124-120-11	ELECT	220MF 20% 25V	R007	1-247-862-11	CARBON 20K 5% 1/4W	
C020	1-102-074-00	CERAMIC	0.001MF 10% 50V	R008	1-247-862-11	CARBON 20K 5% 1/4W	
C021	1-130-491-00	FILM	0.047MF 5% 50V	R009	1-247-862-11	CARBON 20K 5% 1/4W	
C022	1-130-491-00	FILM	0.047MF 5% 50V	R010	1-247-862-11	CARBON 20K 5% 1/4W	
C023	1-124-360-00	ELECT	1000MF 20% 16V	R011	1-249-431-11	CARBON 15K 5% 1/4W	
C024	1-124-360-00	ELECT	1000MF 20% 16V	R012	1-249-413-11	CARBON 470 5% 1/4W	
C025	1-124-636-91	ELECT	3300MF 20% 25V	R013	1-247-864-11	CARBON 24K 5% 1/4W	
C026	1-124-472-11	ELECT	470MF 20% 10V	R014	1-247-864-11	CARBON 24K 5% 1/4W	
C027	1-124-472-11	ELECT	470MF 20% 10V	R015	1-247-864-11	CARBON 24K 5% 1/4W	
C028	1-124-472-11	ELECT	470MF 20% 10V	R016	1-247-864-11	CARBON 24K 5% 1/4W	
C029	1-124-907-11	ELECT	10MF 20% 50V	R017	1-249-417-11	CARBON 1K 5% 1/4W	
C030	1-132-129-00	CERAMIC	0.01MF 10% 50V	R018	1-249-429-11	CARBON 10K 5% 1/4W	
		<CONNECTOR>		R019	1-247-903-91	CARBON 1M 5% 1/4W	
CN001	9-904-761-01	PIN, TERMINAL		R020	1-249-426-11	CARBON 5.6K 5% 1/4W	
		<DIODE>		R021	1-249-417-11	CARBON 1K 5% 1/4W	
D001	9-904-758-01	DIODE BBA-402LP-A		R022	1-249-429-11	CARBON 10K 5% 1/4W	
D002	9-904-765-01	DIODE ERA15-02VH-T		R023	1-249-429-11	CARBON 10K 5% 1/4W	
D003	9-904-766-01	DIODE RD9R1ES(B2)-T		R024	1-249-417-11	CARBON 1K 5% 1/4W	
D004	9-904-766-01	DIODE RD9R1ES(B2)-T		R025	1-247-839-11	CARBON 2.2K 5% 1/4W	
D005	8-719-802-30	DIODE 1SS176		R026	1-249-429-11	CARBON 10K 5% 1/4W	
D006	8-719-802-30	DIODE 1SS176		R027	1-249-417-11	CARBON 1K 5% 1/4W	
				R028	1-247-903-91	CARBON 1M 5% 1/4W	
				R029	1-249-433-11	CARBON 22K 5% 1/4W	
				R030	1-249-440-11	CARBON 82K 5% 1/4W	
				R031	1-249-433-11	CARBON 22K 5% 1/4W	
				R032	1-247-839-11	CARBON 2.2K 5% 1/4W	
				R033	1-249-433-11	CARBON 22K 5% 1/4W	

(SUPER WOOFER BOARD)

REF. NO.	PART NO.	DESCRIPTION			REMARK
R034	1-249-429-11	CARBON	10K	5%	1/4W
R035	1-249-429-11	CARBON	10K	5%	1/4W
R036	1-249-433-11	CARBON	22K	5%	1/4W
R037	1-249-417-11	CARBON	1K	5%	1/4W
R038	1-247-866-11	CARBON	30K	5%	1/4W
R039	1-249-405-11	CARBON	100	5%	1/4W
R040	1-247-842-11	CARBON	3K	5%	1/4W
R041	1-249-405-11	CARBON	100	5%	1/4W
R042	1-247-842-11	CARBON	3K	5%	1/4W
R043	9-904-764-01	METAL OXIDE	1	5%	1/2W
R044	9-904-764-01	METAL OXIDE	1	5%	1/2W
R045	9-904-762-01	METAL OXIDE	10	5%	1/4W
R047	9-904-763-01	METAL OXIDE	1.8K	5%	1/2W
R048	1-249-429-11	CARBON	10K	5%	1/4W
R049	1-249-429-11	CARBON	10K	5%	1/4W

<VARIABLE RESISTOR>

VR001 9-904-760-01 VOLUME

MISCELLANEOUS

* 9-904-750-01 CORE POWER
 * 9-904-753-01 AC OUTLET
 F001 * 9-904-752-01 FUSE
 SP001 9-900-278-01 SPEAKER
 T001 * 9-904-751-01 TRANSFORMER POWER

KV-27TS29/27TS32/27TS36

RM-Y116 RM-Y117 RM-Y118

KV-32TS36/32TS46

RM-Y118 RM-Y118
SA-W200

Sony Corporation
TV Group

— 120 —

English
93CH0948-1
Printed in USA
© 1993 3

9-964-933-01